



Mounting Form Table

S600
80 A up to 160 A

Section

Front Mounting Switches	A
Base Mounting Switches	B

Sälzer Electric GmbH
Matthiasstraße 16
57482 Wenden (Germany)
www.saelzer.com

Headquarters:
Tel. +49 (0) 27 62 / 6 14-110
Fax +49 (0) 27 62 / 6 14-100
sales@salzer.de

Originator: Sälzer Electric GmbH · Product Data Management (PDM) · 09306 Rochlitz (Germany)
Copyright reserved by Sälzer Electric GmbH. This document replaces all previous issues.
Valid until a new version is published. Changes and revisions reserved.

Mounting Form Table



Mtg. forms	Pages	Mtg. forms	Pages	Mtg. forms	Pages	Mtg. forms	Pages
002M1	B1-1 (42)	034M1	B1-9 (50)	044H1	B1-8 (49)	609M1	A1-25 (27)
002G1	B1-2 (43)	034M4	B1-9 (50)	044H4	B1-8 (49)	609G1	A1-26 (28)
003M1	A1-1 (4)	034N1	B1-10 (51)	060M1	A1-13 (16)	612M1	A1-15 (29)
003G1	A1-2 (5)	034N4	B1-10 (51)	103M1	A1-6 (9)	612G1	A1-16 (30)
003H1	A1-3 (6)	034H1	B1-11 (52)	103G1	A1-7 (10)	613M1	A1-19 (31)
004H1	A1-3 (6)	034H4	B1-11 (52)	113G1	A1-8 (11)	613G1	A1-20 (32)
012G1	B1-3 (44)	036H1	A1-12 (15)	602M1	A1-15 (17)	614M1	A1-23 (33)
013G1	A1-4 (7)	036H4	A1-12 (15)	602G1	A1-16 (18)	614G1	A1-24 (34)
013H1	A1-6 (8)	040H1	B1-4 (45)	603M1	A1-19 (19)	617M1	A1-17 (35)
014H1	A1-6 (8)	041M1	B1-5 (46)	603G1	A1-20 (20)	617G1	A1-18 (36)
033M1	A1-9 (12)	041G1	B1-6 (47)	604M1	A1-23 (21)	618M1	A1-34 (37)
033M4	A1-9 (12)	041H1	B1-7 (48)	604G1	A1-24 (22)	618G1	A1-35 (38)
033N1	A1-10 (13)	042M1	B1-12 (53)	607M1	A1-17 (23)	619M1	A1-36 (39)
033N4	A1-10 (13)	042G1	B1-13 (54)	607G1	A1-18 (24)	619G1	A1-37 (40)
033H1	A1-11 (14)	042H1	B1-14 (55)	608M1	A1-21 (25)		
033H4	A1-11 (14)	043H1	B1-15 (56)	608G1	A1-22 (26)		

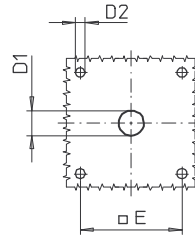
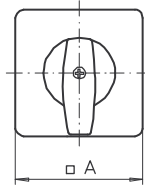
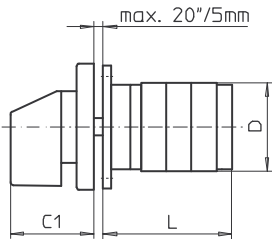
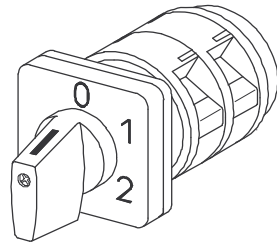


Section A

	Page	
	from	to
Four hole mounting	A1-1	A1-13
Solenoid Lock Device Interlocked when solenoid is de-energised	A1-14	A1-25
Solenoid Lock Device Interlocked when solenoid is energised	A1-26	A1-37

Originator: Sälzer Electric GmbH · Product Data Management (PDM) · 09306 Rochlitz (Germany)
Copyright reserved by Sälzer Electric GmbH. This document replaces all previous issues.
Valid until a new version is published. Changes and revisions reserved.

Front mounting switch



Product line
S600

Front mounting switch

Four hole mounting
68 x 68 mm

M-operator module
88 x 88 mm escutcheon

003M1 (IP55)

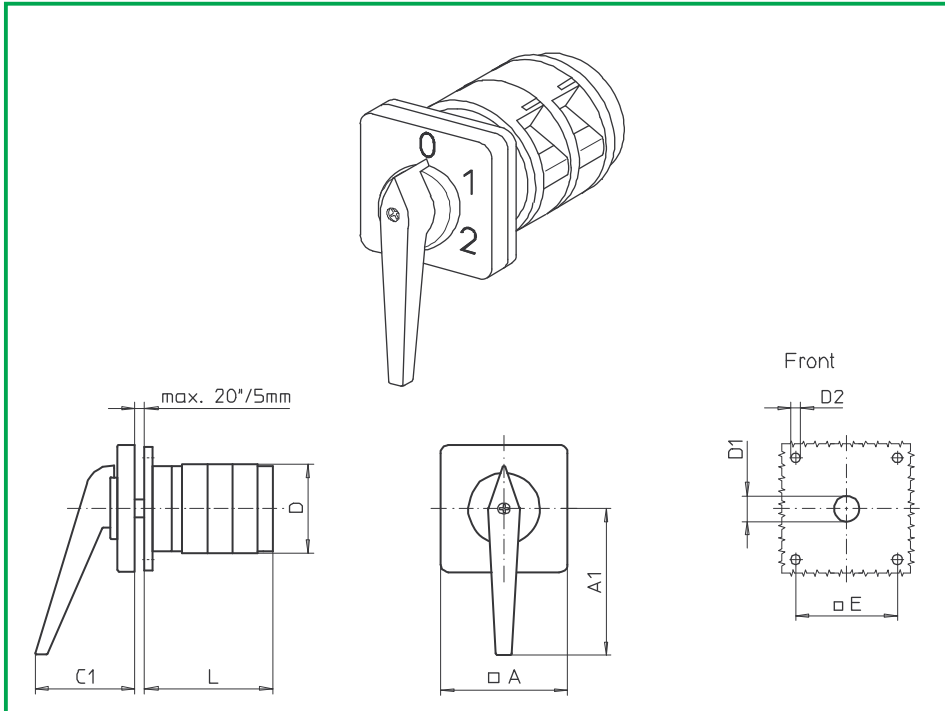
Complete switch	Poles	Product lines	Rated data (IEC 60947)			Order code number
			Operational current I _e	Operational power at 380–440 V		
			AC-21A A	AC-23A kW	AC-3 kW	
Rotary Cam Switches Switching angle 30°/45°/60°/90°	1 ... 24	S600	80 100 160	45 55 75	30 37 45	S606 - 61 ... - 003M1 S608 - 61 ... - 003M1 S612 - 61 ... - 003M1

SMD modules for basic switch (A33)			
Mounting form module for 003M1		S600	BFA6 - 003
M-operator module 88 x 88 mm, mounting form 003M1			6AM1
Starting position of the handle 09h			
Escutcheon black, M-handle black			
M-operator module 88 x 88 mm, mounting form 003M1			6BM1
Starting position of the handle 12h			
Escutcheon black, M-handle black			
Legend plate silver, operator module 003M1			FAS6 - (FA number)

Dimensions (mm)														
Type	A	C1	D	D1	D2	E	L with ... stages (max. 12)							each add. stage
							1	2	3	4	5	6	7	
S606	88	52	84	15	5,5	68	59	81	103	125	147	169	191	22
S608	88	52	88	15	5,5	68	66	92	118	144	170	196	222	26
S612	88	52	88	15	5,5	68	72	104	136	168	200	232	264	32

Front mounting switch

sälzer



Product line
S600

Front mounting switch

Four hole mounting
68 x 68 mm

G-operator module
88 x 88 mm escutcheon

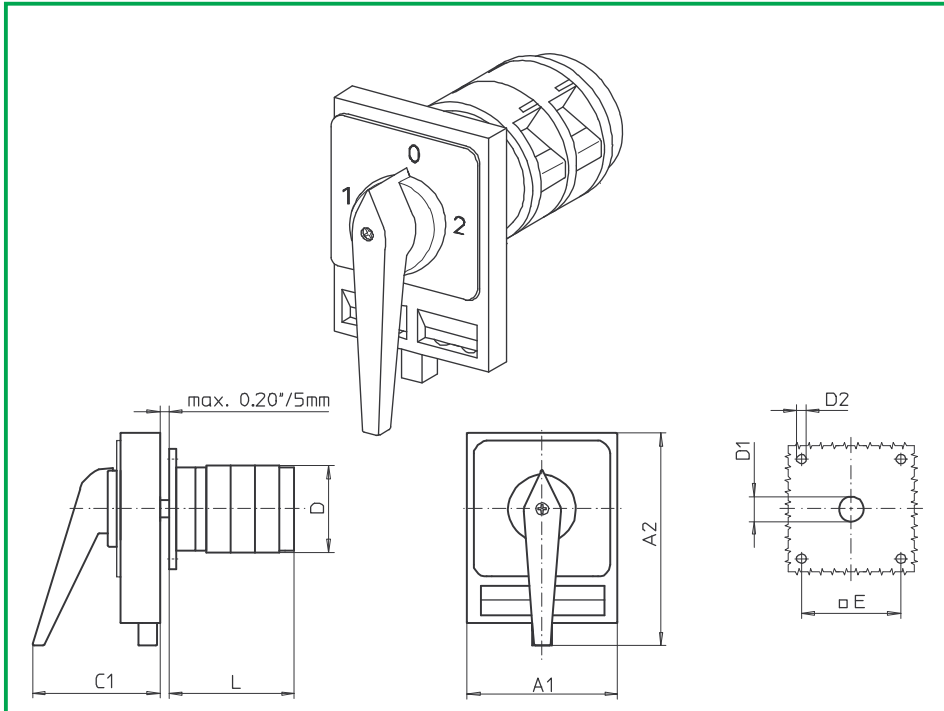
003G1 (IP55)

Complete switch	Poles	Product lines	Rated data (IEC 60947)			Order code number
			Operational current I _e	Operational power at 380–440 V		
			AC-21A A	AC-23A kW	AC-3 kW	
Rotary Cam Switches Switching angle 30°/45°/60°/90°	1 ... 24	S600	80 100 160	45 55 75	30 37 45	S606 - 61 ... - 003G1 S608 - 61 ... - 003G1 S612 - 61 ... - 003G1

SMD modules for basic switch (A33)			
Mounting form module for 003G1		S600	BFA6 - 003
G-operator module 88 x 88 mm, mounting form 003G1			6AG1
Starting position of the handle 09h			
Escutcheon black, G-handle black			
G-operator module 88 x 88 mm, mounting form 003G1			6BG1
Starting position of the handle 12h			
Escutcheon black, G-handle black			
Legend plate silver, operator module 003G1			FAS6 - (FA number)

Dimensions (mm)														
Type	A	A1	C1	D	D1	D2	L with ... stages (max. 12)						each add. stage	
							E	1	2	3	4	5		6
S606	88	86	66	84	15	5,5	68	59	81	103	125	147	169	22
S608	88	86	66	88	15	5,5	68	66	92	118	144	170	196	26
S612	88	86	66	88	15	5,5	68	72	104	136	168	200	232	32

Front mounting switch



Product line
S600

Front mounting switch

Four hole mounting
68 x 68 mm

H-padlock device
98 x 142 mm

003H1 (IP55)

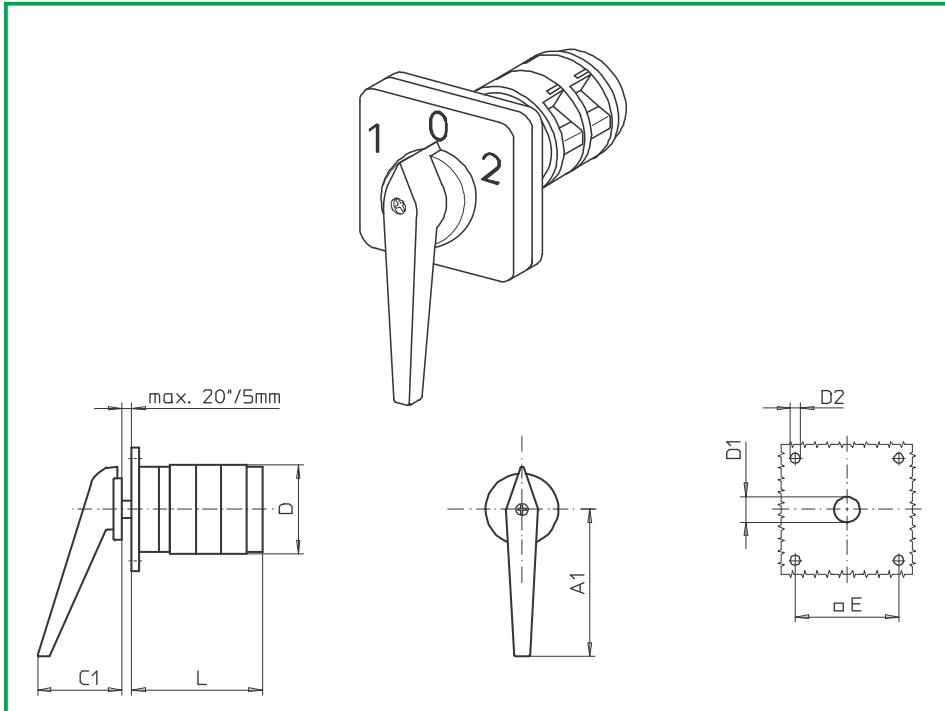
004H1 (IP55)

Complete switch	Poles	Product lines	Rated data (IEC 60947)			Order code number
			Operational current I _e	Operational power at 380–440 V		
			AC-21A A	AC-23A kW	AC-3 kW	
Rotary Cam Switches Switching angle 60°/90° padlockable 12h	1 ... 24	S600	80	45	30	S606 - 61 ... - 003H1
			100	55	37	S608 - 61 ... - 003H1
			160	75	45	S612 - 61 ... - 003H1
Rotary Cam Switches Switching angle 60°/90° padlockable 09h/12h/03h/06h	1 ... 24	S600	80	45	30	S606 - 61 ... - 004H1
			100	55	37	S608 - 61 ... - 004H1
			160	75	45	S612 - 61 ... - 004H1

SMD modules for basic switch (A33)			
Mounting form module for 003H1/004H1		S600	BFA6 - 003
H-padlock device black, mounting form 003H1			6EH1-12
Starting position of the handle 12h, Escutcheon black, handle black			
H-padlock device black, mounting form 004H1			6EH1-99
Starting position of the handle 12h, Escutcheon black, handle black			
Legend plate silver, operator modules 003H1/004H1			FAS6 - (FA number)

Dimensions (mm)														
Type	A1	A2	C1	D	D1	D2	E	L with ... stages (max. 12)						each add. stage
								1	2	3	4	5	6	
S606	98	142	83	84	15	5,5	68	59	83	103	125	147	169	22
S608	98	142	83	88	15	5,5	68	66	95	118	144	170	196	26
S612	98	142	83	88	15	5,5	68	72	107	136	168	200	232	32

Front mounting switch



Product line
S600

Front mounting switch
Operator module of next size

Four hole mounting
104 x 104 mm

G-operator module
130 x 130 mm escutcheon

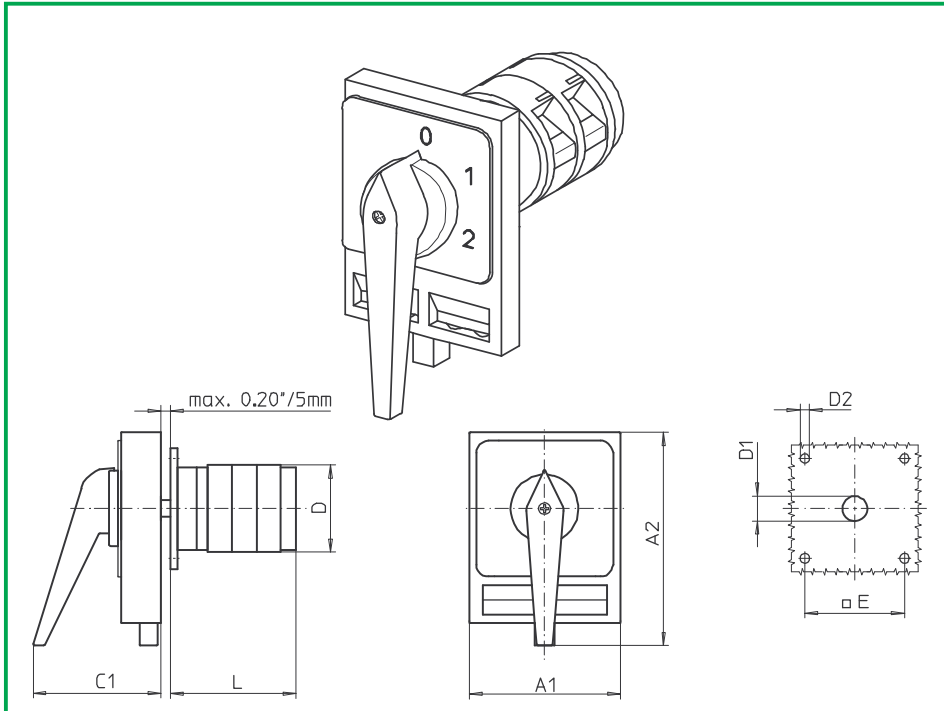
013G1 (IP55)

Complete switch	Poles	Product lines	Rated data (IEC 60947)			Order code number
			Operational current I _e	Operational power at 380–440 V		
			AC-21A A	AC-23A kW	AC-3 kW	
Rotary Cam Switches Switching angle 30°/45°/60°/90°	1 ... 24	S600	80 100 160	45 55 75	30 37 45	S606 - 61 ... - 013G1 S608 - 61 ... - 013G1 S612 - 61 ... - 013G1

SMD modules for basic switch (A45)						
Mounting form module for 013G1				S600		BFA6 - 013
G-operator module 130 x 130 mm, mounting form 013G1						8CG1
Starting position of the handle 09h						
Escutcheon black, G-handle black						
G-operator module 130 x 130mm, mounting form 013G1						8DG1
Starting position of the handle 12h						
Escutcheon black, G-handle black						
Legend plate silver, operator module 013G1						FAS8 - (FA number)

Dimensions (mm)														
Type	A	A1	C1	D	D1	D2	E	L with ... stages (max. 12)						each add. stage
								1	2	3	4	5	6	
S606	130	117	74	84	20	5,5	104	61	83	105	127	149	171	22
S608	130	117	74	88	20	5,5	104	68	94	120	146	172	198	26
S612	130	117	74	88	20	5,5	104	74	106	138	170	202	234	32

Front mounting switch



Product line
S600

Front mounting switch
Operator module of next size

Four hole mounting
104 x 104 mm

H-padlock device
130 x 176 mm

013H1 (IP55)

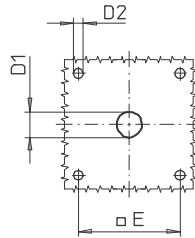
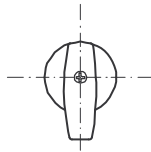
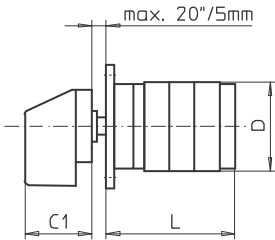
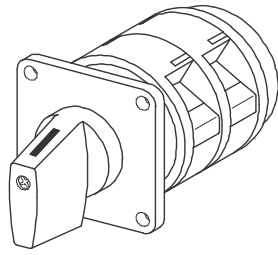
014H1 (IP55)

Complete switch	Poles	Product lines	Rated data (IEC 60947)			Order code number
			Operational current I _e	Operational power at 380–440 V		
			AC-21A A	AC-23A kW	AC-3 kW	
Rotary Cam Switches Switching angle 60°/90° padlockable 12h	1 ... 24	S600	80	45	30	S606 - 61 ... - 013H1
			100	55	37	S608 - 61 ... - 013H1
			160	75	45	S612 - 61 ... - 013H1
Rotary Cam Switches Switching angle 60°/90° padlockable 09h/12h/03h/06h	1 ... 24	S600	80	45	30	S606 - 61 ... - 014H1
			100	55	37	S608 - 61 ... - 014H1
			160	75	45	S612 - 61 ... - 014H1

SMD modules for basic switch (A63)						
Mounting form module for 013H1/014H1					S600	BFA6 - 013
H-padlock device black, mounting form 013H1						8GH1-12
Starting position of the handle 12h						
Escutcheon black, handle black						
H-padlock device black, mounting form 014H1						8GH1-99
Starting position of the handle 12h						
Escutcheon black, handle black						
Legend plate silver, operator module 013H1						FAS8 - (FA number)

Dimensions (mm)														
Type	A1	A2	C1	D	D1	D2	E	L with ... stages (max. 12)						each add. stage
								1	2	3	4	5	6	
S606	130	176	93	84	20	5,5	104	59	81	103	125	147	169	22
S608	130	176	93	88	20	5,5	104	66	92	118	144	170	196	26
S612	130	176	93	88	20	5,5	104	72	104	136	168	200	232	32

Front mounting switch



Product line
S600

Front mounting switch

Four hole mounting
68 x 68 mm

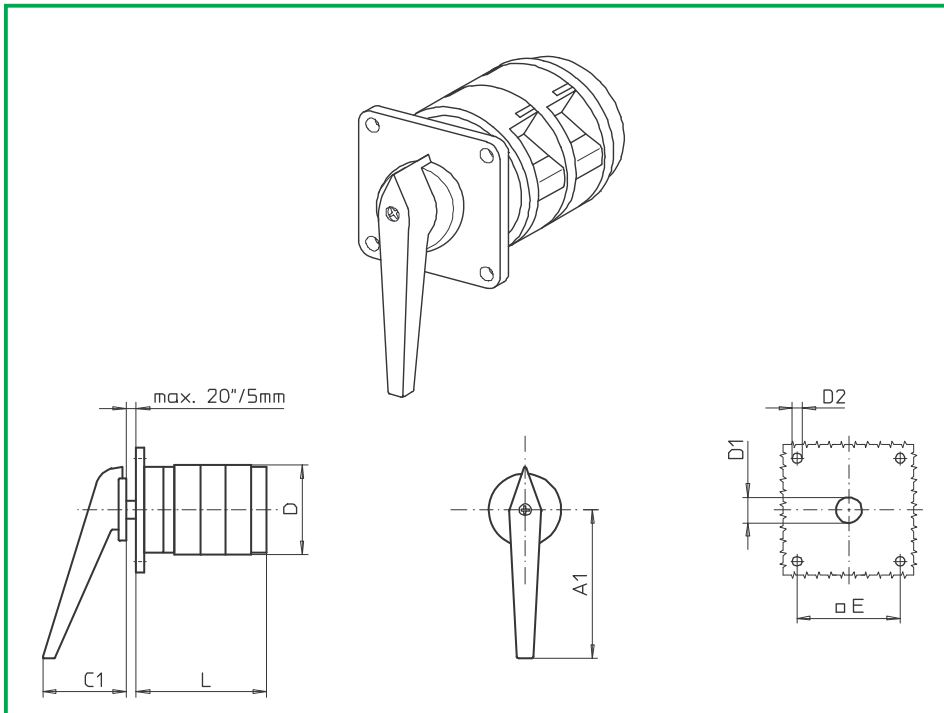
Shaft shortened by 5 mm

103M1 (IP55)

Complete switch	Poles	Product lines	Rated data (IEC 60947)			Order code number								
			Operational current I _e	Operational power at 380–440 V										
			AC-21A A	AC-23A kW	AC-3 kW									
Rotary Cam Switches Switching angle 30°/45°/60°/90°	1 ... 24	S600	80 100 160	45 55 75	30 37 45	S606 - 61 ... - 103M1 S608 - 61 ... - 103M1 S612 - 61 ... - 103M1								
SMD modules for basic switch (A28)														
Mounting form module for 103M1			S600			BFA6 - 003								
M-operator module, mounting form 103M1 Starting position of the handle 09h, M-handle black						6XM1-09								
M-operator module, mounting form 103M1 Starting position of the handle 12h, M-handle black						6XM1-12								
Dimensions (mm)														
Type	C1	D	D1	D2	E	L with ... stages (max. 12)								each add. stage
						1	2	3	4	5	6	7	8	
S606	42	84	15	5,5	68	59	81	103	125	147	169	191	213	22
S608	42	88	15	5,5	68	66	92	118	144	170	196	222	248	26
S612	42	88	15	5,5	68	72	104	136	168	200	232	264	296	32

Front mounting switch

sälzer



**Product line
S600**

Front mounting switch

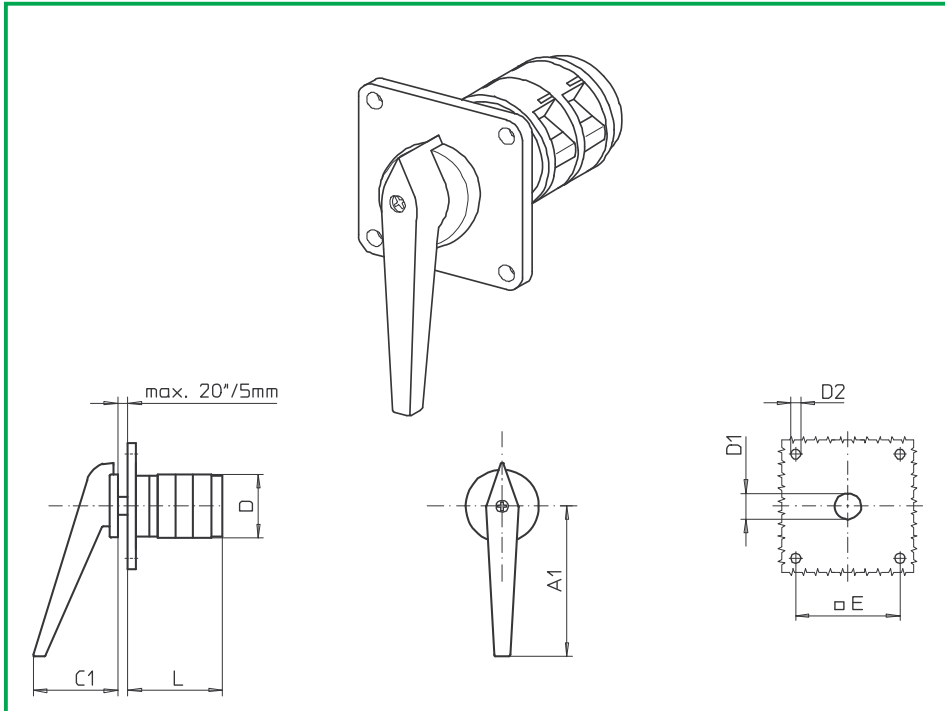
**Four hole mounting
68 x 68 mm**

Shaft shortened by 5 mm

103G1 (IP55)

Complete switch	Poles	Product lines	Rated data (IEC 60947)			Order code number								
			Operational current I _e	Operational power at 380–440 V										
			AC-21A A	AC-23A kW	AC-3 kW									
Rotary Cam Switches Switching angle 30°/45°/60°/90°	1 ... 24	S600	80 100 160	45 55 75	30 37 45	S606 - 61 ... - 103G1 S608 - 61 ... - 103G1 S612 - 61 ... - 103G1								
SMD modules for basic switch (A28)														
Mounting form module for 103G1			S600			BFA6 - 003								
M-operator module, mounting form 103G1 Starting position of the handle 09h, G-handle black						6XG1-09								
M-operator module, mounting form 103G1 Starting position of the handle 12h, G-handle black						6XG1-12								
Dimensions (mm)														
Type	A1	C1	D	D1	D2	E	L with ... stages (max. 12)							each add. stage
							1	2	3	4	5	6	7	
S606	86	54	84	15	5,5	68	59	81	103	125	147	169	191	22
S608	86	54	88	15	5,5	68	66	92	118	144	170	196	222	26
S612	86	54	88	15	5,5	68	72	104	136	168	200	232	264	32

Front mounting switch



Product line
S600

Front mounting switch
Operator module of next size

Four hole mounting
104 x 104 mm

Shaft shortened by 12 mm

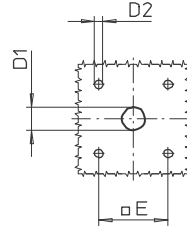
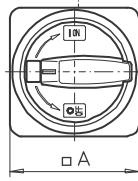
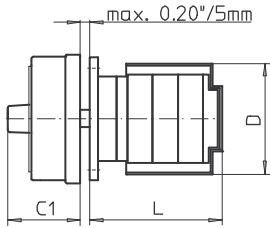
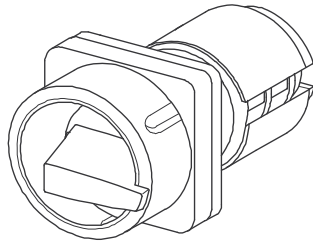
113G1 (IP55)

Complete switch	Poles	Product lines	Rated data (IEC 60947)			Order code number
			Operational current I _e	Operational power at 380–440 V		
			AC-21A A	AC-23A kW	AC-3 kW	
Rotary Cam Switches Switching angle 30°/45°/60°/90°	1 ... 24	S600	80 100 160	45 55 75	30 37 45	S606 - 61 ... - 113G1 S608 - 61 ... - 113G1 S612 - 61 ... - 113G1

SMD modules for basic switch (A33)						
Mounting form module for 113G1					S600	BFA6 - 013
G-operator module, mounting form 113G1						8YG1-09
Starting position of the handle 09h, G-handle black						
G-operator module, mounting form 113G1						8YG1-12
Starting position of the handle 12h, G-handle black						

Dimensions (mm)														
Type	A1	C1	D	D1	D2	E	L with ... stages (max. 12)							each add. stage
							1	2	3	4	5	6	7	
S606	117	62	84	20	5,5	104	61	83	105	127	149	171	193	22
S608	117	62	88	20	5,5	104	68	94	120	146	172	198	224	26
S612	117	62	88	20	5,5	104	74	106	138	170	202	234	266	32

Front mounting switch



Product line
S600

Front mounting switch

Four hole mounting
68 x 68 mm

M-padlock device
88 x 88 mm

033M1 (IP55)

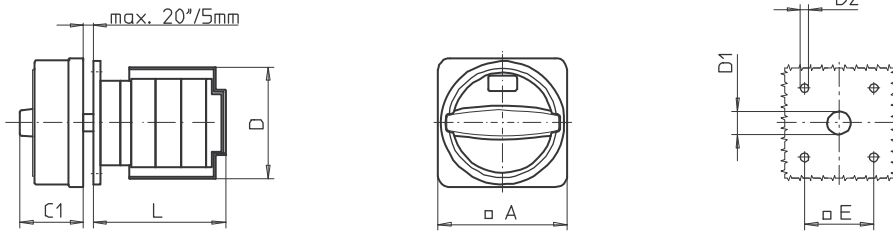
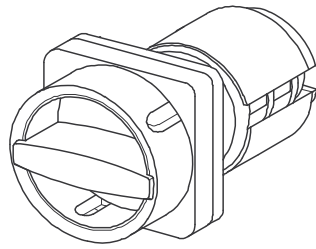
033M4 (IP55)

Complete switch	Poles	Product lines	Rated data (IEC 60947)			Order code number
			Operational current I _e	Operational power at 380–440 V		
			AC-21A A	AC-23A kW	AC-3 kW	
Main Switches Switching angle 90° OFF position padlockable 09h	3 ... 8	S600	80	45	30	S606 - 61 ... - 033M1
			100	55	37	S608 - 61 ... - 033M1
			160	75	45	S612 - 61 ... - 033M1
Main/Emergency-Off Switches Switching angle 90° OFF position padlockable 09h	3 ... 8	S600	80	45	30	S606 - 61 ... - 033M4
			100	55	37	S608 - 61 ... - 033M4
			160	75	45	S612 - 61 ... - 033M4

SMD modules for basic switch (A33)			
Mounting form module for 033M.		S600	BFA6 - 003
M-padlock device 88 x 88 mm, mounting form 033M1 Escutcheon black, padlockable handle black			6KM1
M-padlock device 88 x 88 mm, mounting form 033M4 Escutcheon yellow, padlockable handle red			6KM4
Terminal covers (2x)		2 contact stages 3 contact stages	S606,S608 S612 TCE6 TCD6 TCD6 TCB6

Dimensions (mm)														
Type	A	C1	D	D1	D2	E	L with ... stages (max. 4)							each add. stage
							1	2	3	4	5	6	7	
S606	88	50	100	15	5,5	68	-	83	105	127	-	-	-	-
S608	88	50	100	15	5,5	68	-	95	121	147	-	-	-	-
S612	88	50	100	15	5,5	68	-	107	139	171	-	-	-	-

Front mounting switch



Product line
S600

Front mounting switch

Four hole mounting
68 x 68 mm

N-padlock device
88 x 88 mm

033N1 (IP55)

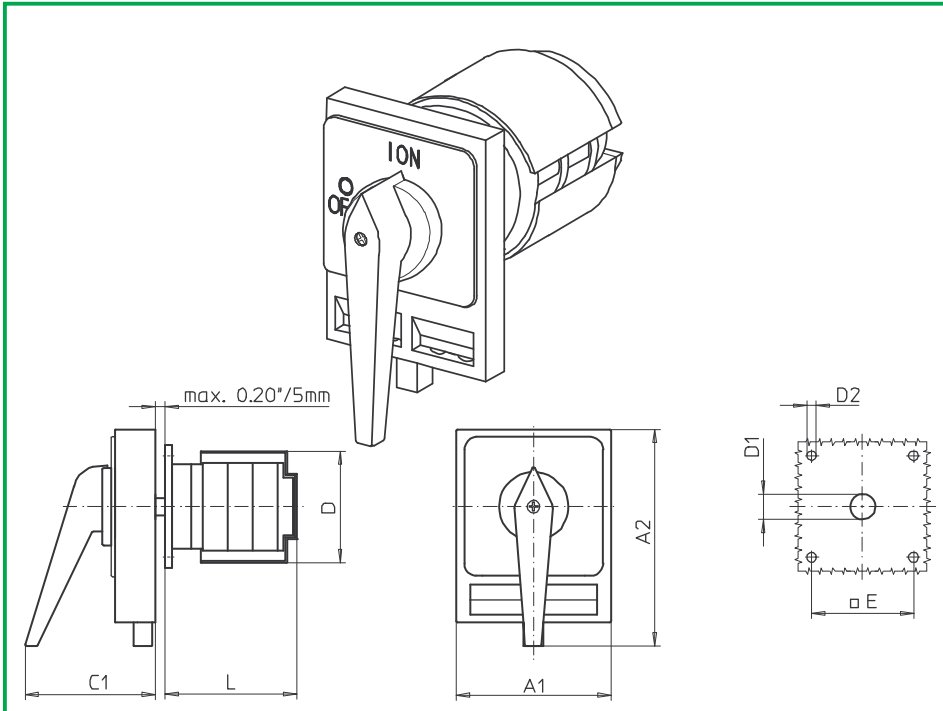
033N4 (IP55)

Complete switch	Poles	Product lines	Rated data (IEC 60947)			Order code number
			Operational current I_e	Operational power at 380–440 V		
			AC-21A A	AC-23A kW	AC-3 kW	
Main Switches Switching angle 90° OFF position padlockable 09h	3 ... 8	S600	80	45	30	S606 - 61 ... - 033N1
			100	55	37	S608 - 61 ... - 033N1
			160	75	45	S612 - 61 ... - 033N1
Main/Emergency-Off Switches Switching angle 90° OFF position padlockable 09h	3 ... 8	S600	80	45	30	S606 - 61 ... - 033N4
			100	55	37	S608 - 61 ... - 033N4
			160	75	45	S612 - 61 ... - 033N4

SMD modules for basic switch (A33)			
Mounting form module for 033N.		S600	BFA6 - 003
N-padlock device 88 x 88 mm, mounting form 033N1 Escutcheon black, padlockable handle black			6KN1
N-padlock device 88 x 88 mm, mounting form 033N4 Escutcheon yellow, padlockable handle red			6KN4
Terminal covers (2x)		2 contact stages 3 contact stages	S606,S608 TCE6 TCD6 S612 TCD6 TCB6

Dimensions (mm)														
Type	A	C1	D	D1	D2	E	L with ... stages (max. 4)							each add. stage
							1	2	3	4	5	6	7	
S606	88	45	100	15	5,5	68	-	83	105	127	-	-	-	-
S608	88	45	100	15	5,5	68	-	95	121	147	-	-	-	-
S612	88	45	100	15	5,5	68	-	107	139	171	-	-	-	-

Front mounting switch



Product line
S600

Front mounting switch

Four hole mounting
68 x 68 mm

H-padlock device
98 x 142 mm

033H1 (IP55)

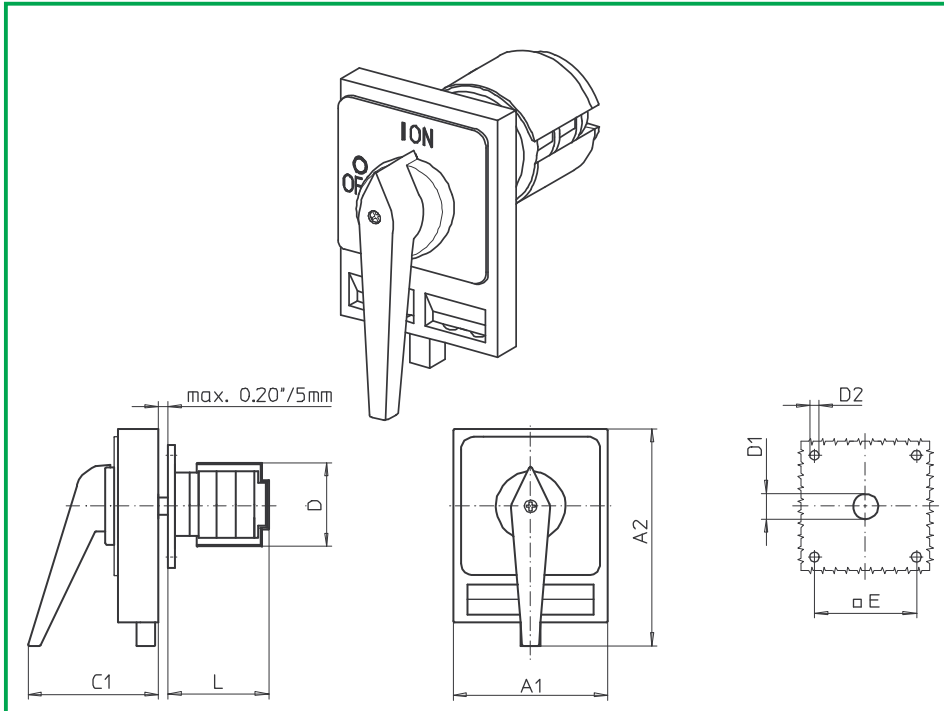
033H4 (IP55)

Complete switch	Poles	Product lines	Rated data (IEC 60947)			Order code number
			Operational current I _e	Operational power at 380–440 V		
			AC-21A A	AC-23A kW	AC-3 kW	
Main Switches Switching angle 90° OFF position padlockable 09h	3 ... 8	S600	80	45	30	S606 - 61 ... - 033H1
			100	55	37	S608 - 61 ... - 033H1
			160	75	45	S612 - 61 ... - 033H1
Main/Emergency-Off Switches Switching angle 90° OFF position padlockable 09h	3 ... 8	S600	80	45	30	S606 - 61 ... - 033H4
			100	55	37	S608 - 61 ... - 033H4
			160	75	45	S612 - 61 ... - 033H4

SMD modules for basic switch (A33)			
Mounting form module for 033H.		S600	BFA6 - 003
H-padlock device black, mounting form 033H1 Starting position of the handle 09h, H-handle black			6CH1-09
H-padlock device black, mounting form 033H4 Starting position of the handle 09h, H-handle red			6CH4-09
Legend plate silver, mounting form 033H1			FAS6 - (FA number)
Legend plate yellow, mounting form 033H4			FBS6 - (FA number)
Additional legend plate			FAZ2-8041
Terminal covers (2x)		2 contact stages 3 contact stages	S606, S608 S612 TCE6 TCD6 TCD6 TCB6

Dimensions (mm)														
Type	A1	A2	C1	D	D1	D2	E	L with ... stages (max. 4)						each add. stage
								1	2	3	4	5	6	
S606	98	142	83	100	15	5,5	68	-	83	105	127	-	-	-
S608	98	142	83	100	15	5,5	68	-	95	121	147	-	-	-
S612	98	142	83	100	15	5,5	68	-	107	139	171	-	-	-

Front mounting switch



Product line
S600

Front mounting switch
Operator module of next size

Four hole mounting
104 x 104 mm

H-padlock device
130 x 176 mm

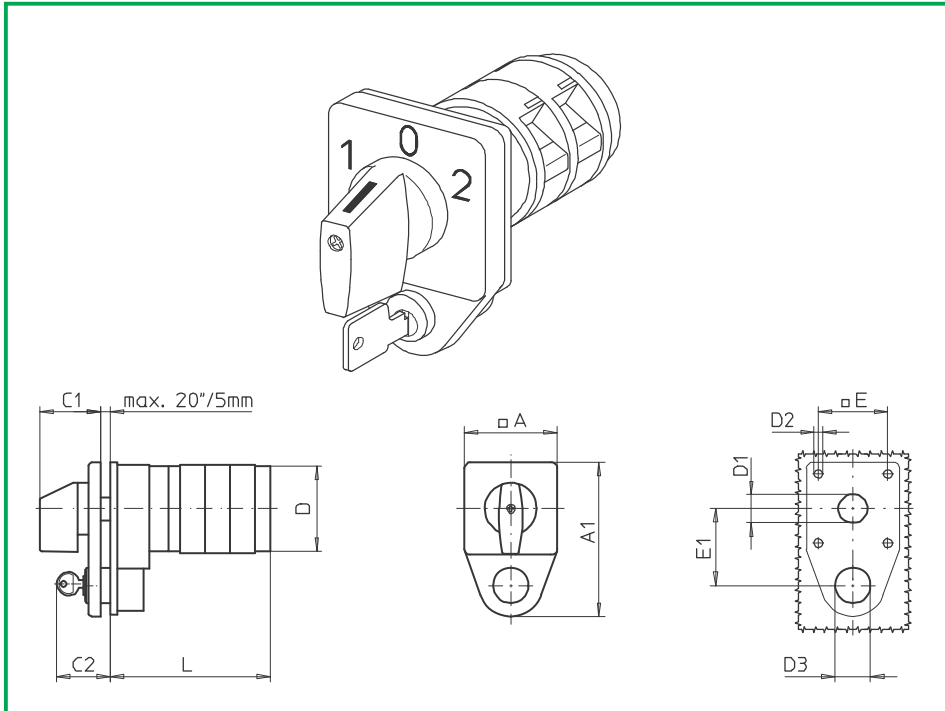
036H1 (IP55)
036H4 (IP55)

Complete switch	Poles	Product lines	Rated data (IEC 60947)			Order code number
			Operational current I _e	Operational power at 380–440 V		
			AC-21A A	AC-23A kW	AC-3 kW	
Main Switches Switching angle 90° OFF position padlockable 09h	3 ... 8	S600	80	45	30	S606 - 61 ... - 036H1
			100	55	37	S608 - 61 ... - 036H1
			160	75	45	S612 - 61 ... - 036H1
Main/Emergency-Off Switches Switching angle 90° OFF position padlockable 09h	3 ... 8	S600	80	45	30	S606 - 61 ... - 036H4
			100	55	37	S608 - 61 ... - 036H4
			160	75	45	S612 - 61 ... - 036H4

SMD modules for basic switch (A63)			
Mounting form module for 036H.		S600	BFA6 - 013
H-padlock device black, mounting form 036H1 Starting position of the handle 09h, H-handle black			8FH1-09
H-padlock device black, mounting form 036H4 Starting position of the handle 09h, H-handle red			8FH4-09
Legend plate silver, mounting form 036H1			FAS8 - (FA number)
Legend plate yellow, mounting form 036H4			FBS8 - (FA number)
Terminal covers (2x)		2 contact stages 3 contact stages	S606,S608 S612 TCE6 TCD6 TCD6 TCB6

Dimensions (mm)														
Type	A1	A2	C1	D	D1	D2	E	L with ... stages (max. 4)						each add. stage
								1	2	3	4	5	6	
S606	130	176	93	100	20	5,5	68	-	83	105	127	-	-	-
S608	130	176	93	100	20	5,5	68	-	95	121	147	-	-	-
S612	130	176	93	100	20	5,5	68	-	107	139	171	-	-	-

Front mounting switch



Product line
S600

Front mounting switch
With Cylinder lock device
Key number CL1

Four hole mounting
68 x 68 mm

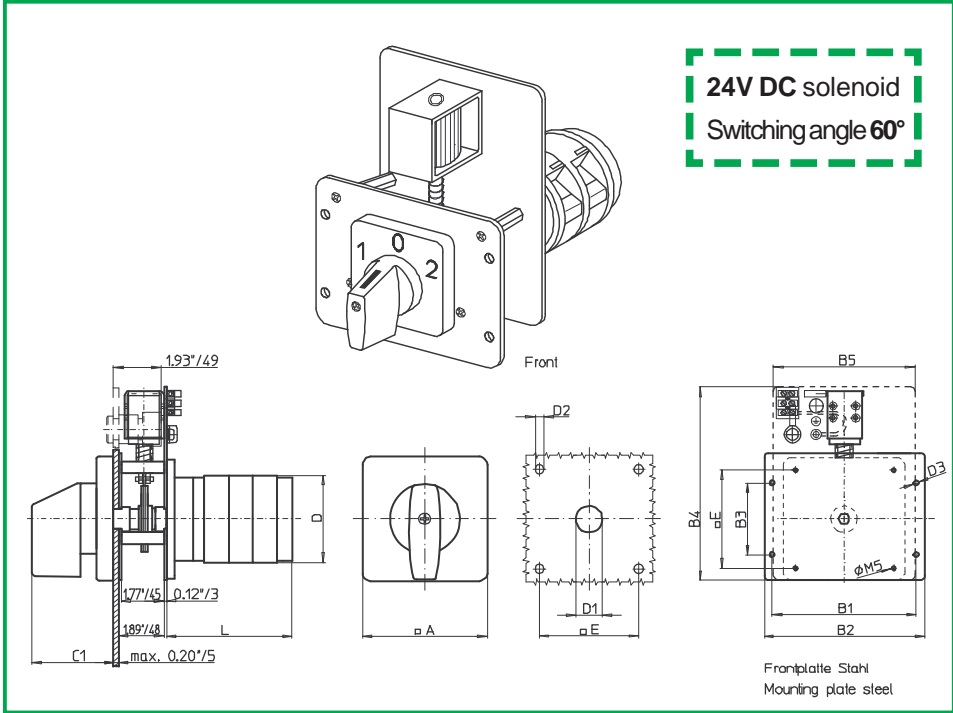
M-operator module
88 x 88 mm escutcheon

060M1 (IP40)

Complete switch	Poles	Product lines	Rated data (IEC 60947)			Order code number									
			Operational current I _e	Operational power at 380–440 V											
			AC-21A A	AC-23A kW	AC-3 kW										
Rotary Cam Switches Switching angle 30°/45°/60°/90°	1 ... 24	S600	80 100 160	45 55 75	30 37 45	S606 - 61 ... - 060M1 S608 - 61 ... - 060M1 S612 - 61 ... - 060M1									
Position "OFF" or start position locked															
Other locking arrangements available; please specify upon request															
2 keys, Key number CL1															
Keylockable in selected positions															
Further lock types and security lock on request.															
SMD modules for basic switch (A49)															
Mounting form module for 060M1			S600			BFA6 - 060 6MM1									
M-operator module, mounting form 060M1						6NM1									
Starting position of the handle 09h															
Escutcheon black, M-handle black															
Starting position of the handle 12h															
Escutcheon black, M-handle black															
Legend plate silver, operator module 060M1						FAS6 - (FA number)									
Dimensions (mm)															
Type	A	A1	C1	C2	D	D1	D2	D3	E	E1	L with ... stages (max. 12) each add. stage				
S606	88	118	52	42	84	15	5,5	19	68	58	73	95	117	139	22
S608	88	118	52	42	88	15	5,5	19	68	58	80	106	132	158	26
S612	88	118	52	42	88	15	5,5	19	68	58	86	118	150	182	32

Front mounting switch

For US market only



Product line
S600

Front mounting switch
 Solenoid lock device
 Solenoid 24V DC
Interlock
 Solenoid de-energised

Four hole mounting
 152,4mm x 76,2mm (6" x 3")

M-operator module
 88 x 88 mm escutcheon

602M1 (IP55)

Complete switch	Poles	Product lines	Rated data (IEC 60947)			Order code number
			Operational current I _e	Operational power at 380–440 V		
			AC-21A A	AC-23A kW	AC-3 kW	
Rotary Cam Switches Switching angle 60° padlockable in 60° steps	1 ... 24	S600	80 100 160	45 55 75	30 37 45	S606 - 61 ... - 602M1 S608 - 61 ... - 602M1 S612 - 61 ... - 602M1

SMD modules for basic switch (A84)			
Mounting form module for 602M1		S600	BFA6-003
Interlock module, mounting form 602M1			ZVS6-DC024/60
M-operator module 88 x 88 mm, mounting form 602M1			6AM1
Starting position of the handle 09h			
Escutcheon black, handle black			
M-operator module 88 x 88 mm, mounting form 602M1			6BM1
Starting position of the handle 12h			
Escutcheon black, handle black			
Legend plate silver, operator module 602M1			FAS6 - (FA number)

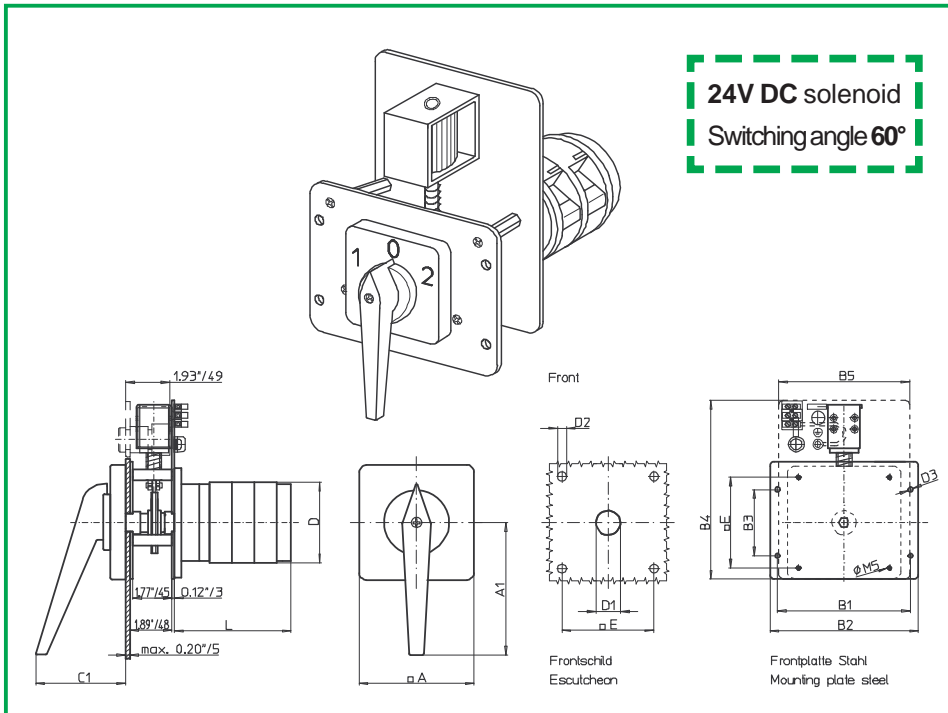
Dimensions (mm)														each add. stage
Type	A	B1	B2	B3	B4	B5	C1	D	D1	D2	D3	E	L*)	
S606	88	152,4	170	76,2	205	150	52	210	20	5,5	5,5	68	59	22
S608	88	152,4	170	76,2	205	150	52	210	20	5,5	5,5	68	66	26
S612	88	152,4	170	76,2	205	150	52	210	20	5,5	5,5	68	72	32

L*) Dimension for switch with 1 contact stage

For US market only

Front mounting switch

sälzer



Product line
S600

Front mounting switch
Solenoid lock device
Solenoid 24V DC
Interlock
Solenoid de-energised

Four hole mounting
152,4mm x 76,2mm (6" x 3")

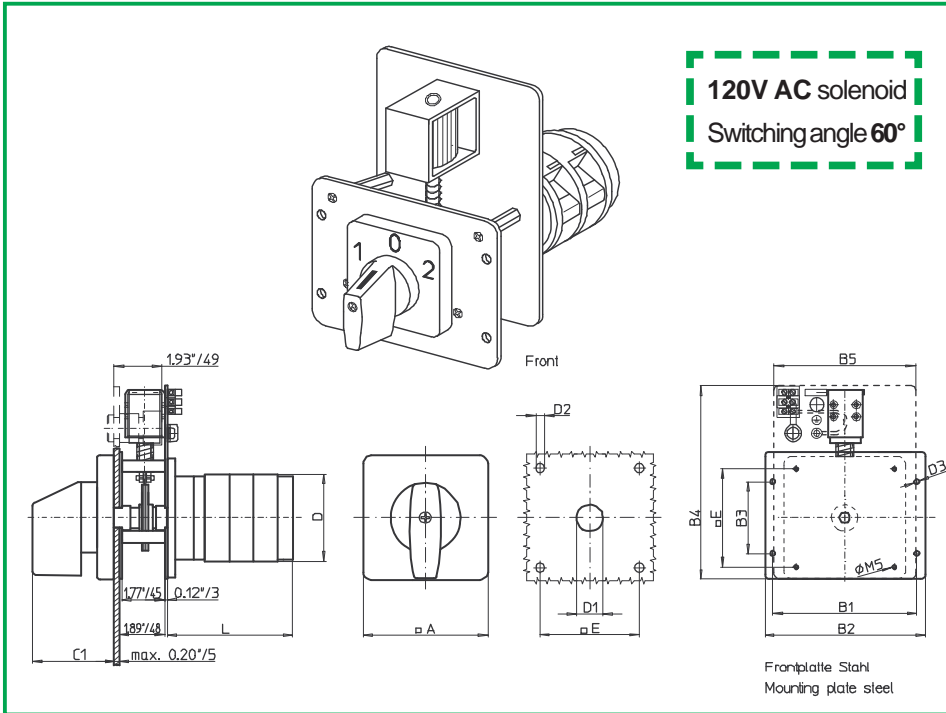
G-operator module
88 x 88 mm escutcheon

602G1 (IP55)

Complete switch	Poles	Product lines	Rated data (IEC 60947)			Order code number									
			Operational current I _e	Operational power at 380–440 V											
			AC-21A A	AC-23A kW	AC-3 kW										
Rotary Cam Switches Switching angle 60° padlockable in 60° steps	1 ... 24	S600	80 100 160	45 55 75	30 37 45	S606 - 61 ... - 602G1 S608 - 61 ... - 602G1 S612 - 61 ... - 602G1									
SMD modules for basic switch (A84)															
Mounting form module for 602G1			S600			BFA6-003									
Interlock module, mounting form 602G1						ZVS6-DC024/60									
G-operator module 88 x 88 mm, mounting form 602G1						6AG1									
Starting position of the handle 09h															
Escutcheon black, handle black															
G-operator module 88 x 88 mm, mounting form 602G1						6BG1									
Starting position of the handle 12h															
Escutcheon black, handle black															
Legend plate silver, operator module 602G1						FAS6 - (FA number)									
Dimensions (mm)															
Type	A	A1	B1	B2	B3	B4	B5	C1	D	D1	D2	D3	E	L ^{*)}	each add. stage
S606	88	86	152,4	170	76,2	205	150	74	210	20	5,5	5,5	68	59	22
S608	88	86	152,4	170	76,2	205	150	74	210	20	5,5	5,5	68	66	26
S612	88	86	152,4	170	76,2	205	150	74	210	20	5,5	5,5	68	72	32
L ^{*)} Dimension for switch with 1 contact stage															

Front mounting switch

Available upon request



Product line S600

Front mounting switch
Solenoid lock device
Solenoid 120V AC
Interlock
Solenoid de-energised

Four hole mounting
152,4mm x 76,2mm (6" x 3")

M-operator module
88 x 88 mm escutcheon

603M1 (IP55)

Complete switch	Poles	Product lines	Rated data (IEC 60947)			Order code number
			Operational current I _e	Operational power at 380–440 V		
			AC-21A A	AC-23A kW	AC-3 kW	
Rotary Cam Switches Switching angle 60° padlockable in 60° steps	1 ... 24	S600	80 100 160	45 55 75	30 37 45	S606 - 61 ... - 603M1 S608 - 61 ... - 603M1 S612 - 61 ... - 603M1

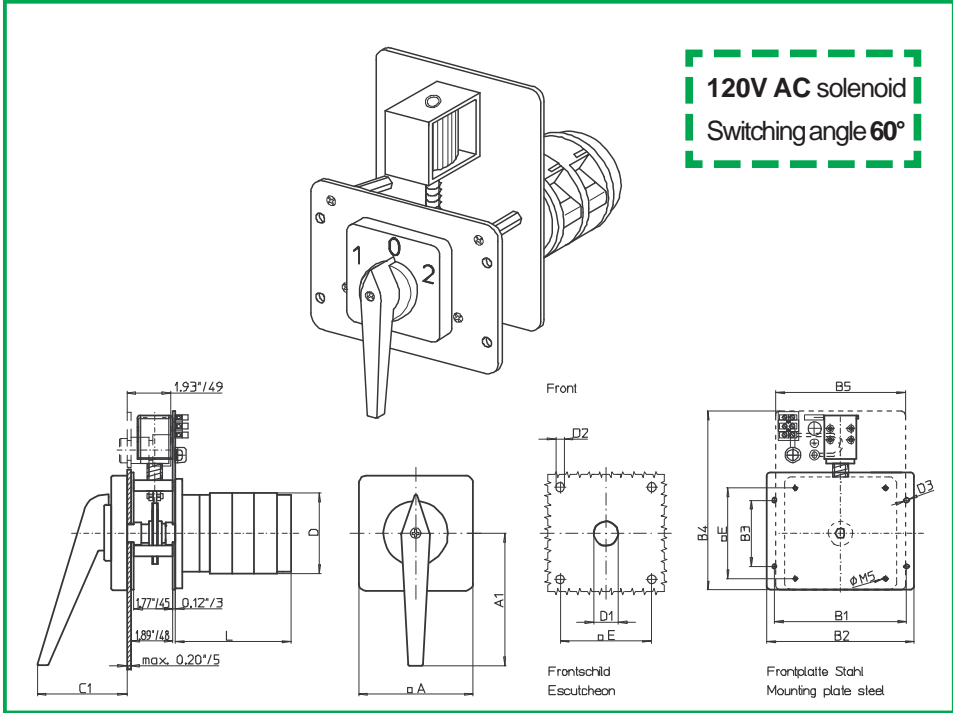
SMD modules for basic switch (A84)			
Mounting form module for 603M1		S600	BFA6-003
Interlock module, mounting form 603M			ZVS6-AC120/60
M-operator module 88 x 88 mm, mounting form 603M1			6AM1
Starting position of the handle 09h			
Escutcheon black, handle black			
M-operator module 88 x 88 mm, mounting form 603M1			6BM1
Starting position of the handle 12h			
Escutcheon black, handle black			
Legend plate silver, operator module 603M1			FAS6 - (FA number)

Dimensions (mm)														each add. stage
Type	A	B1	B2	B3	B4	B5	C1	D	D1	D2	D3	E	L ^{*)}	
S606	88	152,4	170	76,2	205	150	52	210	20	5,5	5,5	68	59	22
S608	88	152,4	170	76,2	205	150	52	210	20	5,5	5,5	68	66	26
S612	88	152,4	170	76,2	205	150	52	210	20	5,5	5,5	68	72	32

L^{*)} Dimension for switch with 1 contact stage

Front mounting switch

Available upon request



Product line
S600

Front mounting switch
Solenoid lock device
Solenoid 120V AC
Interlock
Solenoid de-energised

Four hole mounting
152,4mm x 76,2mm (6" x 3")

G-operator module
88 x 88 mm escutcheon

603G1 (IP55)

Complete switch	Poles	Product lines	Rated data (IEC 60947)			Order code number
			Operational current I _e	Operational power at 380–440 V		
			AC-21A A	AC-23A kW	AC-3 kW	
Rotary Cam Switches Switching angle 60° padlockable in 60° steps	1 ... 24	S600	80 100 160	45 55 75	30 37 45	S606 - 61 ... - 603G1 S608 - 61 ... - 603G1 S612 - 61 ... - 603G1

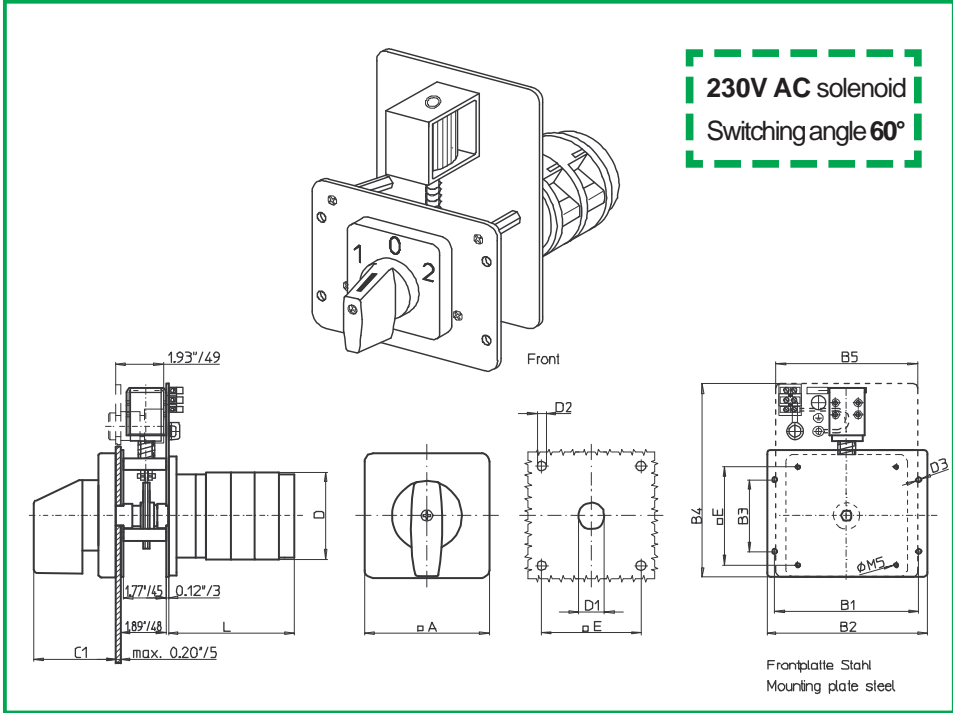
SMD modules for basic switch (A84)	Product lines	Order code number
Mounting form module for 603G1	S600	BFA6-003
Interlock module, mounting form 603G1		ZVS6-AC120/60
G-operator module 88 x 88 mm, mounting form 603G1		6AG1
Starting position of the handle 09h Escutcheon black, handle black		
G-operator module 88 x 88 mm, mounting form 603G1		6BG1
Starting position of the handle 12h Escutcheon black, handle black		
Legend plate silver, operator module 603G1		FAS6 - (FA number)

Dimensions (mm)															each add. stage
Type	A	A1	B1	B2	B3	B4	B5	C1	D	D1	D2	D3	E	L ^{*)}	
S606	88	86	152,4	170	76,2	205	150	74	210	20	5,5	5,5	68	59	22
S608	88	86	152,4	170	76,2	205	150	74	210	20	5,5	5,5	68	66	26
S612	88	86	152,4	170	76,2	205	150	74	210	20	5,5	5,5	68	72	32

L^{*)} Dimension for switch with 1 contact stage

Front mounting switch

Available upon request



230V AC solenoid
Switching angle 60°

Product line
S600

Front mounting switch
Solenoid lock device
Solenoid 230V AC
Interlock
Solenoid de-energised

Four hole mounting
152,4mm x 76,2mm (6" x 3")

M-operator module
88 x 88 mm escutcheon

604M1 (IP55)

Complete switch	Poles	Product lines	Rated data (IEC 60947)			Order code number
			Operational current I _e	Operational power at 380–440 V		
			AC-21A A	AC-23A kW	AC-3 kW	
Rotary Cam Switches Switching angle 60° padlockable in 60° steps	1 ... 24	S600	80 100 160	45 55 75	30 37 45	S606 - 61 ... - 604M1 S608 - 61 ... - 604M1 S612 - 61 ... - 604M1

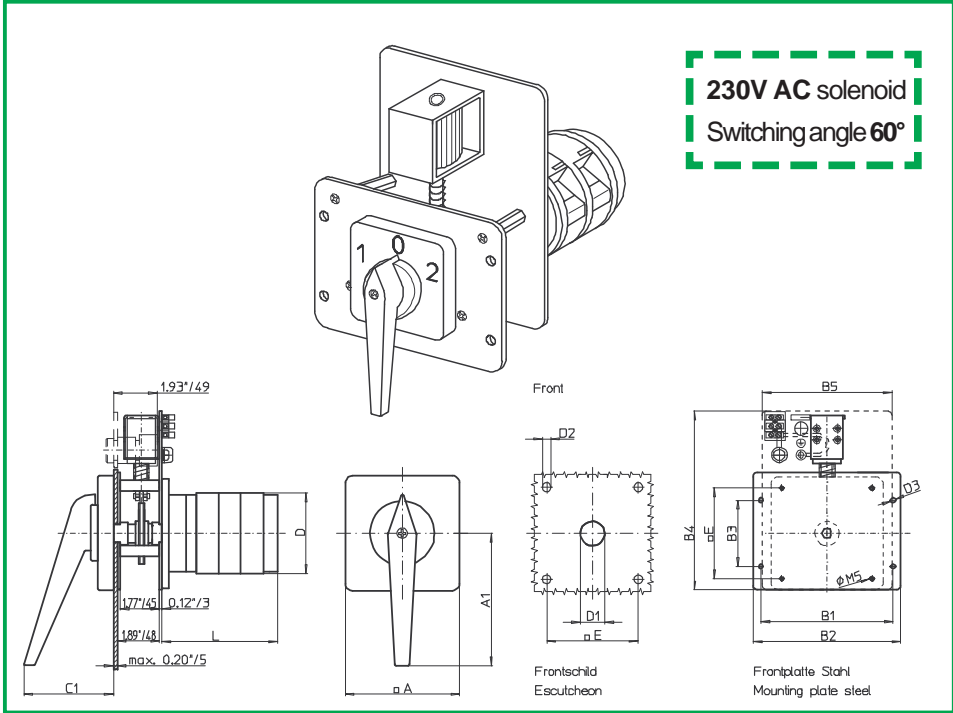
SMD modules for basic switch (A84)	Product lines	Order code number
Mounting form module for 604M1	S600	BFA6-003
Interlock module, mounting form 604M1		ZVS6-AC230/60
M-operator module 88 x 88 mm, mounting form 604M1		6AM1
Starting position of the handle 09h Escutcheon black, handle black		
M-operator module 88 x 88 mm, mounting form 604M1		6BM1
Starting position of the handle 12h Escutcheon black, handle black		
Legend plate silver, operator module 604M1		FAS6 - (FA number)

Dimensions (mm)														each add. stage
Type	A	B1	B2	B3	B4	B5	C1	D	D1	D2	D3	E	L ^{*)}	
S606	88	152,4	170	76,2	205	150	52	210	20	5,5	5,5	68	59	22
S608	88	152,4	170	76,2	205	150	52	210	20	5,5	5,5	68	66	26
S612	88	152,4	170	76,2	205	150	52	210	20	5,5	5,5	68	72	32

L^{*)} Dimension for switch with 1 contact stage

Front mounting switch

Available upon request



230V AC solenoid
Switching angle 60°

Product line
S600

Front mounting switch
Solenoid lock device
Solenoid 230V AC
Interlock
Solenoid de-energised

Four hole mounting
152,4mm x 76,2mm (6" x 3")

G-operator module
88 x 88 mm escutcheon

604G1 (IP55)

Complete switch	Poles	Product lines	Rated data (IEC 60947)			Order code number
			Operational current I _e	Operational power at 380–440 V		
			AC-21A A	AC-23A kW	AC-3 kW	
Rotary Cam Switches Switching angle 60° padlockable in 60° steps	1 ... 24	S600	80 100 160	45 55 75	30 37 45	S606 - 61 ... - 604G1 S608 - 61 ... - 604G1 S612 - 61 ... - 604G1

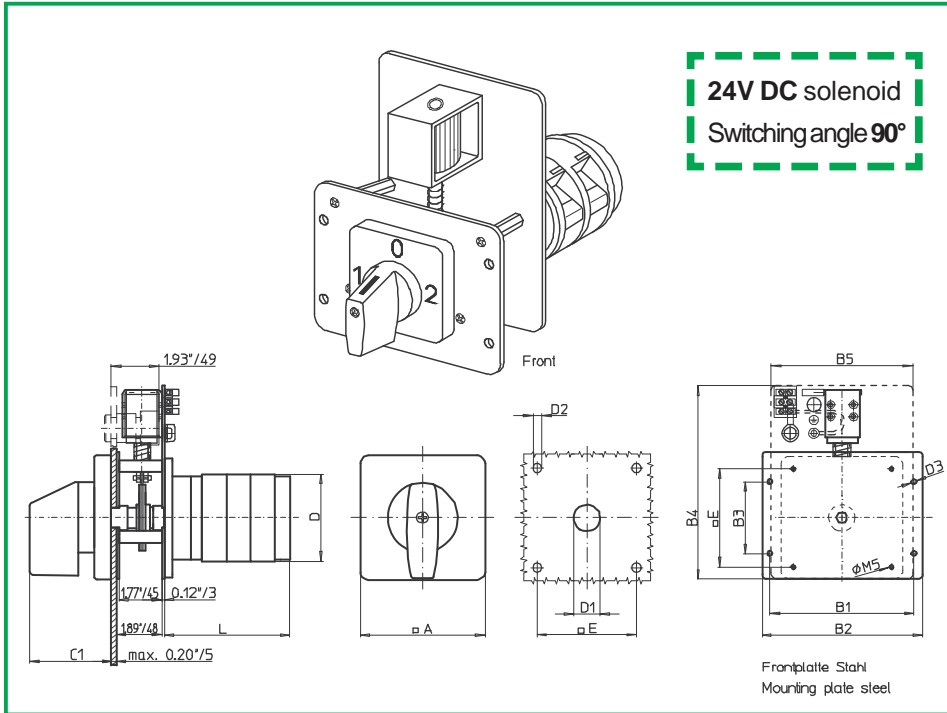
SMD modules for basic switch (A84)	Product lines	Order code number
Mounting form module for 604G1	S600	BFA6-003
Interlock module, mounting form 604G1		ZVS6-AC230/60
G-operator module 88 x 88 mm, mounting form 604G1		6AG1
Starting position of the handle 09h Escutcheon black, handle black		
G-operator module 88 x 88 mm, mounting form 604G1		6BG1
Starting position of the handle 12h Escutcheon black, handle black		
Legend plate silver, operator module 604G1		FAS6 - (FA number)

Dimensions (mm)															each add. stage
Type	A	A1	B1	B2	B3	B4	B5	C1	D	D1	D2	D3	E	L ^{*)}	
S606	88	86	152,4	170	76,2	205	150	74	210	20	5,5	5,5	68	59	22
S608	88	86	152,4	170	76,2	205	150	74	210	20	5,5	5,5	68	66	26
S612	88	86	152,4	170	76,2	205	150	74	210	20	5,5	5,5	68	72	32

L^{*)} Dimension for switch with 1 contact stage

Front mounting switch

For US market only



Product line
S600

Front mounting switch
Solenoid lock device
Solenoid 24V DC
Interlock
Solenoid de-energised

Four hole mounting
152,4mm x 76,2mm (6" x 3")

M-operator module
88 x 88 mm escutcheon

607M1 (IP55)

Complete switch	Poles	Product lines	Rated data (IEC 60947)			Order code number
			Operational current I _e	Operational power at 380–440 V		
			AC-21A A	AC-23A kW	AC-3 kW	
Rotary Cam Switches Switching angle 90° padlockable in 90° steps	1 ... 24	S600	80 100 160	45 55 75	30 37 45	S606 - 61 ... - 607M1 S608 - 61 ... - 607M1 S612 - 61 ... - 607M1

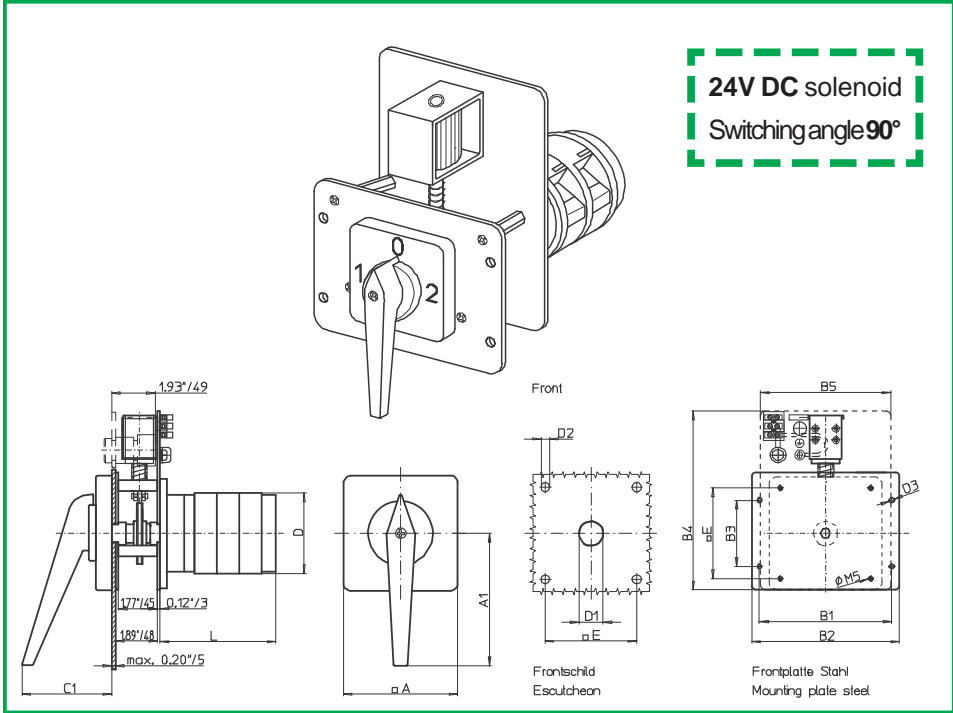
SMD modules for basic switch (A84)			
Mounting form module for 607M1		S600	BFA6-003
Interlock module, mounting form 607M1			ZVS6-DC024/90
M-operator module 88 x 88 mm, mounting form 607M1			6AM1
Starting position of the handle 09h Escutcheon black, handle black			
M-operator module 88 x 88 mm, mounting form 607M1			6BM1
Starting position of the handle 12h Escutcheon black, handle black			
Legend plate silver, operator module 607M1			FAS6 - (FA number)

Dimensions (mm)														each add. stage
Type	A	B1	B2	B3	B4	B5	C1	D	D1	D2	D3	E	L ^{*)}	
S606	88	152,4	170	76,2	205	150	52	210	20	5,5	5,5	68	59	22
S608	88	152,4	170	76,2	205	150	52	210	20	5,5	5,5	68	66	26
S612	88	152,4	170	76,2	205	150	52	210	20	5,5	5,5	68	72	32

L^{*)} Dimension for switch with 1 contact stage

Front mounting switch

For US market only



Product line
S600

Front mounting switch
Solenoid lock device
Solenoid 24V DC
Interlock
Solenoid de-energised

Four hole mounting
152,4mm x 76,2mm (6" x 3")

G-operator module
88 x 88 mm escutcheon

607G1 (IP55)

Complete switch	Poles	Product lines	Rated data (IEC 60947)			Order code number
			Operational current I _e	Operational power at 380–440 V		
			AC-21A A	AC-23A kW	AC-3 kW	
Rotary Cam Switches Switching angle 90° padlockable in 90° steps	1 ... 24	S600	80 100 160	45 55 75	30 37 45	S606 - 61 ... - 607G1 S608 - 61 ... - 607G1 S612 - 61 ... - 607G1

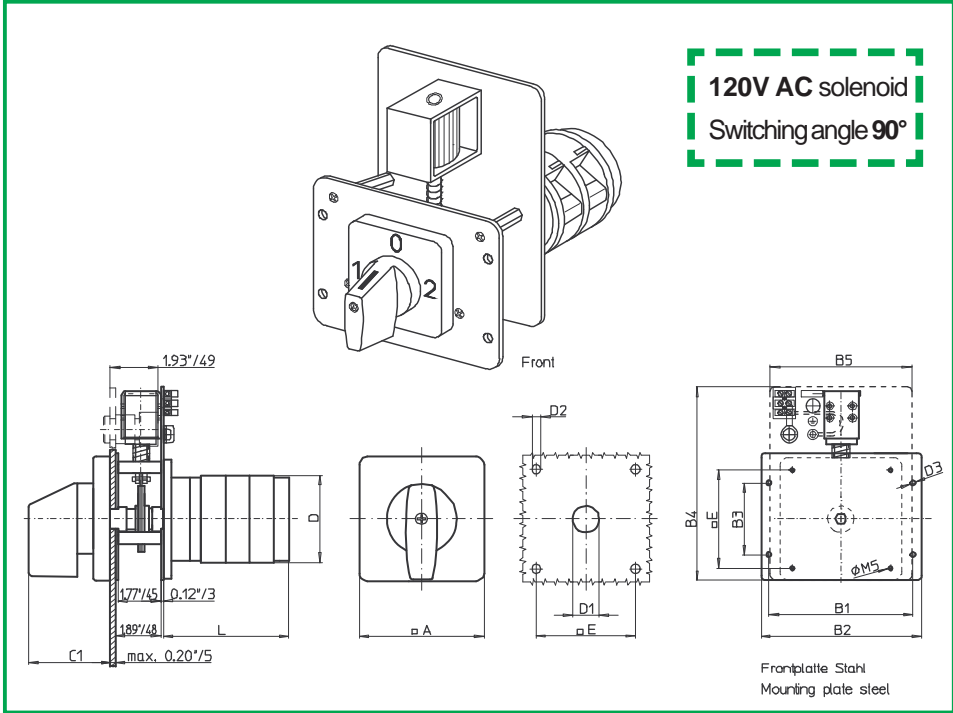
SMD modules for basic switch (A84)			
Mounting form module for 607G1		S600	BFA6-003
Interlock module, mounting form 607G1			ZVS6-DC024/90
G-operator module 88 x 88 mm, mounting form 607G1			6AG1
Starting position of the handle 09h			
Escutcheon black, handle black			
G-operator module 88 x 88 mm, mounting form 607G1			6BG1
Starting position of the handle 12h			
Escutcheon black, handle black			
Legend plate silver, operator module 607G1			FAS6 - (FA number)

Dimensions (mm)															each add. stage
Type	A	A1	B1	B2	B3	B4	B5	C1	D	D1	D2	D3	E	L*)	
S606	88	86	152,4	170	76,2	205	150	66	210	20	5,5	5,5	68	59	22
S608	88	86	152,4	170	76,2	205	150	66	210	20	5,5	5,5	68	66	26
S612	88	86	152,4	170	76,2	205	150	66	210	20	5,5	5,5	68	72	32

L*) Dimension for switch with 1 contact stage

Front mounting switch

Available upon request



Product line
S600

Front mounting switch
Solenoid lock device
Solenoid 120V AC
Interlock
Solenoid de-energised

Four hole mounting
152,4mm x 76,2mm (6" x 3")

M-operator module
88 x 88 mm escutcheon

608M1 (IP55)

Complete switch	Poles	Product lines	Rated data (IEC 60947)			Order code number
			Operational current I _e	Operational power at 380–440 V		
			AC-21A A	AC-23A kW	AC-3 kW	
Rotary Cam Switches Switching angle 90° padlockable in 90° steps	1 ... 24	S600	80 100 160	45 55 75	30 37 45	S606 - 61 ... - 608M1 S608 - 61 ... - 608M1 S612 - 61 ... - 608M1

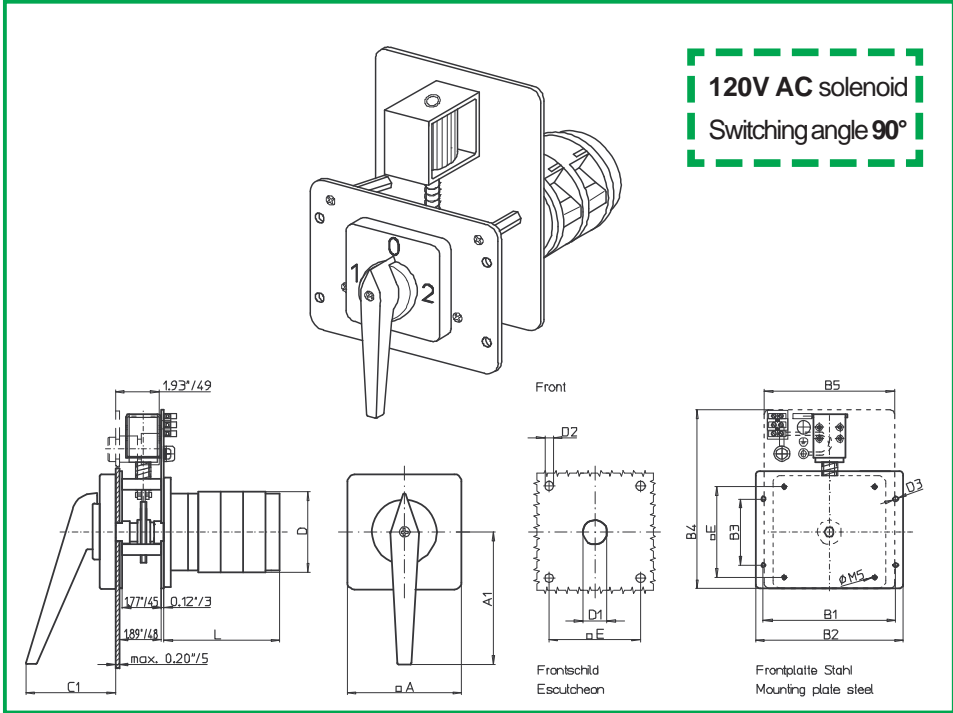
SMD modules for basic switch (A84)		
Mounting form module for 608M1	S600	BFA6-003
Interlock module, mounting form 608M1		ZVS6-AC120/90
M-operator module 88 x 88 mm, mounting form 608M1		6AM1
Starting position of the handle 09h Escutcheon black, handle black		
M-operator module 88 x 88 mm, mounting form 608M1		6BM1
Starting position of the handle 12h Escutcheon black, handle black		
Legend plate silver, operator module 608M1		FAS6 - (FA number)

Dimensions (mm)														each add. stage
Type	A	B1	B2	B3	B4	B5	C1	D	D1	D2	D3	E	L ^{*)}	
S606	88	152,4	170	76,2	205	150	52	210	20	5,5	5,5	68	59	22
S608	88	152,4	170	76,2	205	150	52	210	20	5,5	5,5	68	66	26
S612	88	152,4	170	76,2	205	150	52	210	20	5,5	5,5	68	72	32

L^{*)} Dimension for switch with 1 contact stage

Front mounting switch

Available upon request



120V AC solenoid
Switching angle 90°

Product line
S600

Front mounting switch
Solenoid lock device
Solenoid 120V AC
Interlock
Solenoid de-energised

Four hole mounting
152,4mm x 76,2mm (6" x 3")

G-operator module
88 x 88 mm escutcheon

608G1 (IP55)

Complete switch	Poles	Product lines	Rated data (IEC 60947)			Order code number
			Operational current I _e	Operational power at 380–440 V		
			AC-21A A	AC-23A kW	AC-3 kW	
Rotary Cam Switches	1 ... 24	S600	80	45	30	S606 - 61 ... - 608G1
Switching angle 90°			100	55	37	S608 - 61 ... - 608G1
padlockable in 90° steps			160	75	45	S612 - 61 ... - 608G1

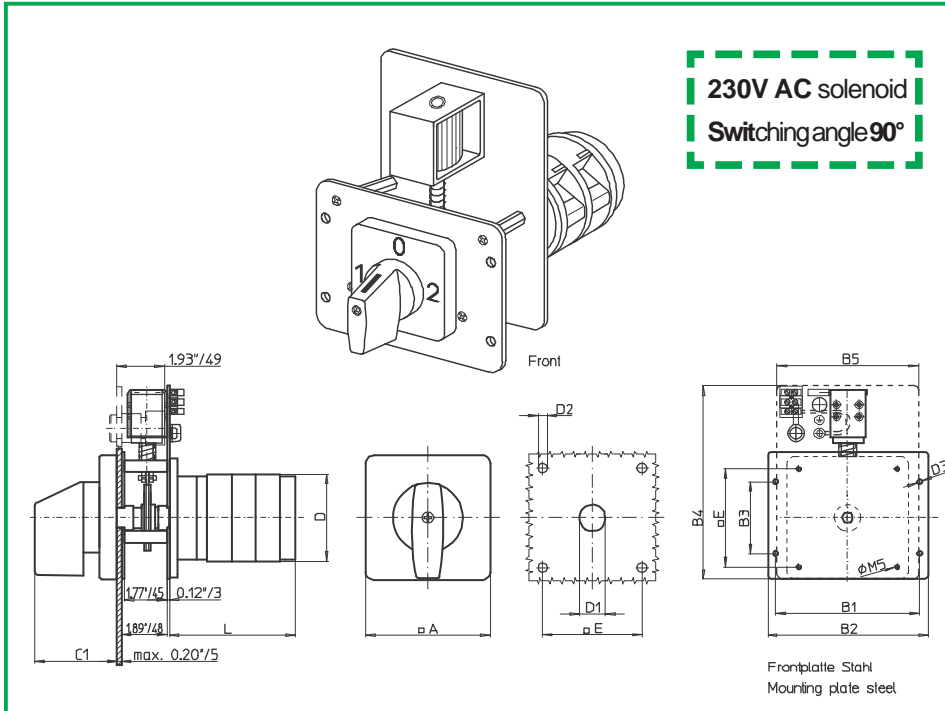
SMD modules for basic switch (A84)			
Mounting form module for 608G1		S600	BFA6-003
Interlock module, mounting form 608G1			ZVS6-AC120/90
G-operator module 88 x 88 mm, mounting form 608G1			6AG1
Starting position of the handle 09h			
Escutcheon black, handle black			
G-operator module 88 x 88 mm, mounting form 608G1			6BG1
Starting position of the handle 12h			
Escutcheon black, handle black			
Legend plate silver, operator module 608G1			FAS6 - (FA number)

Dimensions (mm)															each add. stage
Type	A	A1	B1	B2	B3	B4	B5	C1	D	D1	D2	D3	E	L ^{*)}	
S606	88	86	152,4	170	76,2	205	150	74	210	20	5,5	5,5	68	59	22
S608	88	86	152,4	170	76,2	205	150	74	210	20	5,5	5,5	68	66	26
S612	88	86	152,4	170	76,2	205	150	74	210	20	5,5	5,5	68	72	32

L^{*)} Dimension for switch with 1 contact stage

Front mounting switch

Available upon request



Product line
S600

Front mounting switch
Solenoid lock device
Solenoid 230V AC
Interlock
Solenoid de-energised

Four hole mounting
152,4mm x 76,2mm (6" x 3")

M-operator module
88 x 88 mm escutcheon

609M1 (IP55)

Complete switch	Poles	Product lines	Rated data (IEC 60947)			Order code number
			Operational current I _e	Operational power at 380–440 V		
			AC-21A A	AC-23A kW	AC-3 kW	
Rotary Cam Switches Switching angle 90° padlockable in 90° steps	1 ... 24	S600	80 100 160	45 55 75	30 37 45	S606 - 61 ... - 609M1 S608 - 61 ... - 609M1 S612 - 61 ... - 609M1

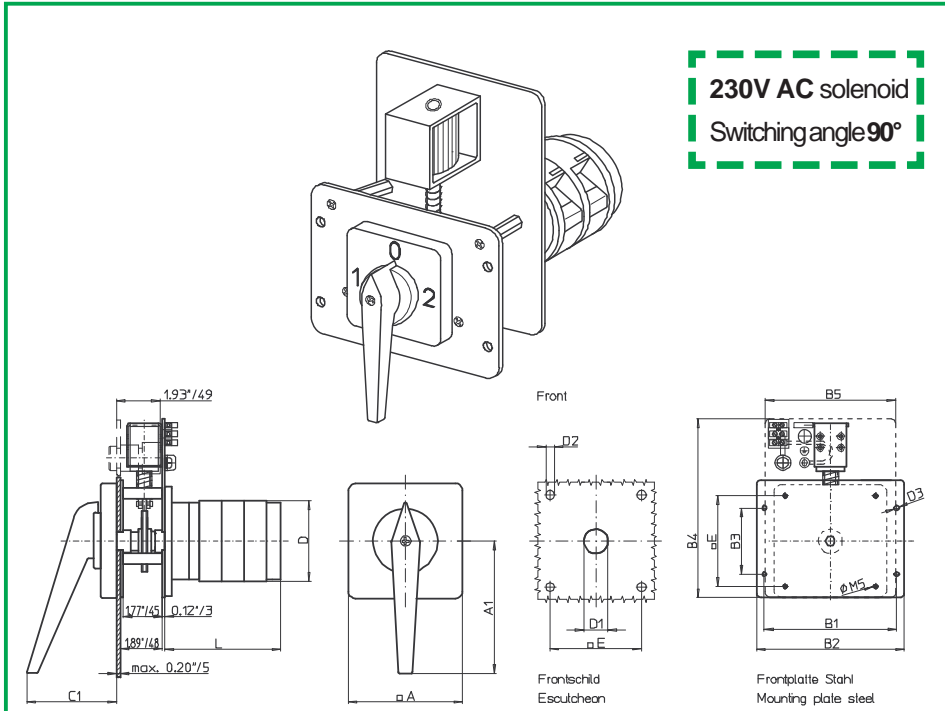
SMD modules for basic switch (A84)			
Mounting form module for 609M1		S600	BFA6-003
Interlock module, mounting form 609M1			ZVS6-AC230/90
M-operator module 88 x 88 mm, mounting form 609M1			6AM1
Starting position of the handle 09h			
Escutcheon black, handle black			
M-operator module 88 x 88 mm, mounting form 609M1			6BM1
Starting position of the handle 12h			
Escutcheon black, handle black			
Legend plate silver, operator module 609M1			FAS6 - (FA number)

Dimensions (mm)														each add. stage
Type	A	B1	B2	B3	B4	B5	C1	D	D1	D2	D3	E	L ^{*)}	
S606	88	152,4	170	76,2	205	150	52	210	20	5,5	5,5	68	59	22
S608	88	152,4	170	76,2	205	150	52	210	20	5,5	5,5	68	66	26
S612	88	152,4	170	76,2	205	150	52	210	20	5,5	5,5	68	72	32

L^{*)} Dimension for switch with 1 contact stage

Front mounting switch

Available upon request



Product line
S600

Front mounting switch
Solenoid lock device
Solenoid 230V AC
Interlock
Solenoid de-energised

Four hole mounting
152,4mm x 76,2mm (6" x 3")

G-operator module
88 x 88 mm escutcheon

609G1 (IP55)

Complete switch	Poles	Product lines	Rated data (IEC 60947)			Order code number
			Operational current I _e	Operational power at 380–440 V		
			AC-21A A	AC-23A kW	AC-3 kW	
Rotary Cam Switches Switching angle 90° padlockable in 90° steps	1 ... 24	S600	80 100 160	45 55 75	30 37 45	S606 - 61 ... - 609G1 S608 - 61 ... - 609G1 S612 - 61 ... - 609G1

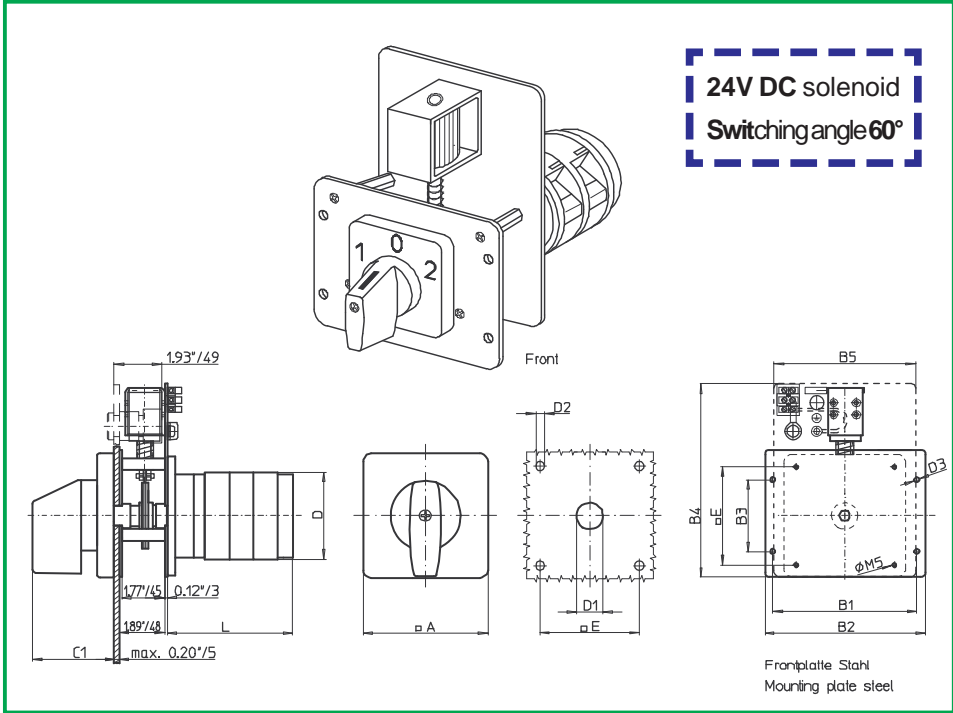
SMD modules for basic switch (A84)			
Mounting form module for 609G1		S600	BFA6-003
Interlock module, mounting form 609G1			ZVS6-AC230/90
G-operator module 88 x 88 mm, mounting form 609G1			6AG1
Starting position of the handle 09h			
Escutcheon black, handle black			
G-operator module 88 x 88 mm, mounting form 609G1			6BG1
Starting position of the handle 12h			
Escutcheon black, handle black			
Legend plate silver, operator module 609G1			FAS6 - (FA number)

Dimensions (mm)															each add. stage
Type	A	A1	B1	B2	B3	B4	B5	C1	D	D1	D2	D3	E	L ^{*)}	
S606	88	86	152,4	170	76,2	205	150	74	210	20	5,5	5,5	68	59	22
S608	88	86	152,4	170	76,2	205	150	74	210	20	5,5	5,5	68	66	26
S612	88	86	152,4	170	76,2	205	150	74	210	20	5,5	5,5	68	72	32

L^{*)} Dimension for switch with 1 contact stage

Front mounting switch

For US market only



Product line
S600

Front mounting switch
 Solenoid lock device
 Solenoid 24V DC
Interlock
 Solenoid energised

Four hole mounting
 152,4mm x 76,2mm (6" x 3")

M-operator module
 88 x 88 mm escutcheon

612M1 (IP55)

Complete switch	Poles	Product lines	Rated data (IEC 60947)			Order code number
			Operational current I _e	Operational power at 380–440 V		
			AC-21A A	AC-23A kW	AC-3 kW	
Rotary Cam Switches Switching angle 60° padlockable in 60° steps	1 ... 24	S600	80 100 160	45 55 75	30 37 45	S606 - 61 ... - 612M1 S608 - 61 ... - 612M1 S612 - 61 ... - 612M1

SMD modules for basic switch (A84)			
Mounting form module for 612M1		S600	BFA6-003
Interlock module, mounting form 612M1			ZVD6-DC024/60
M-operator module 88 x 88 mm, mounting form 612M1			6AM1
Starting position of the handle 09h			
Escutcheon black, handle black			
M-operator module 88 x 88 mm, mounting form 612M1			6BM1
Starting position of the handle 12h			
Escutcheon black, handle black			
Legend plate silver, operator module 612M1			FAS6 - (FA number)

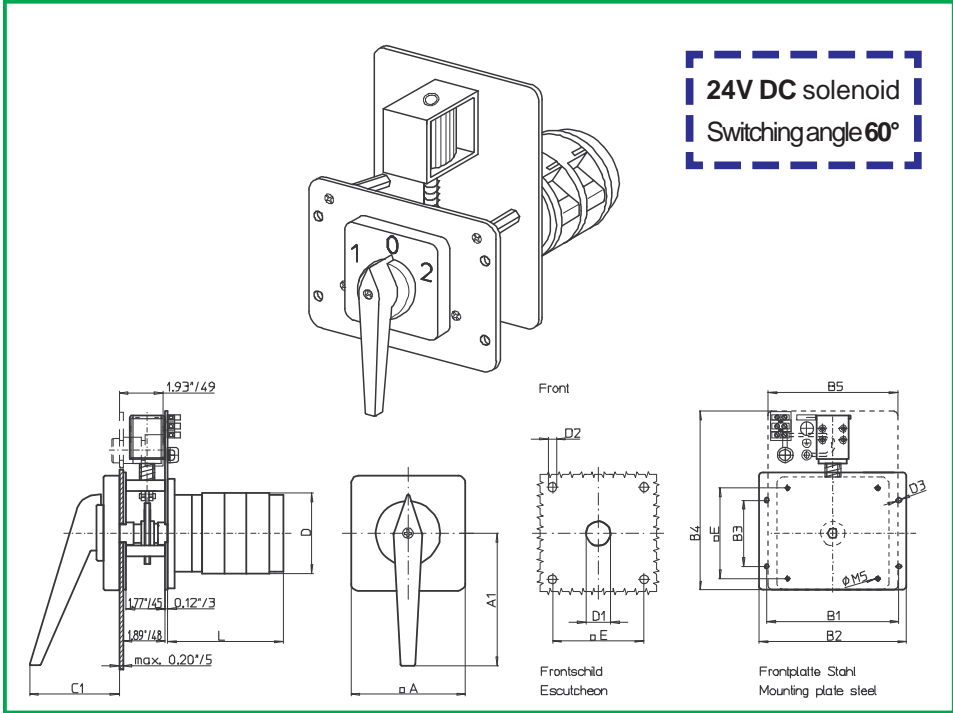
Dimensions (mm)														each add. stage
Type	A	B1	B2	B3	B4	B5	C1	D	D1	D2	D3	E	L ^{*)}	
S606	88	152,4	170	76,2	205	150	52	210	20	5,5	5,5	68	59	22
S608	88	152,4	170	76,2	205	150	52	210	20	5,5	5,5	68	66	26
S612	88	152,4	170	76,2	205	150	52	210	20	5,5	5,5	68	72	32

L^{*)} Dimension for switch with 1 contact stage

Front mounting switch

For US market only

säzzer



Product line
S600

Front mounting switch
Solenoid lock device
Solenoid 24V DC
Interlock
Solenoid energised

Four hole mounting
152,4mm x 76,2mm (6" x 3")

G-operator module
88 x 88 mm escutcheon

612G1 (IP55)

Complete switch	Poles	Product lines	Rated data (IEC 60947)			Order code number
			Operational current I _e	Operational power at 380–440 V		
			AC-21A A	AC-23A kW	AC-3 kW	
Rotary Cam Switches Switching angle 60° padlockable in 60° steps	1 ... 24	S600	80 100 160	45 55 75	30 37 45	S606 - 61 ... - 612G1 S608 - 61 ... - 612G1 S612 - 61 ... - 612G1

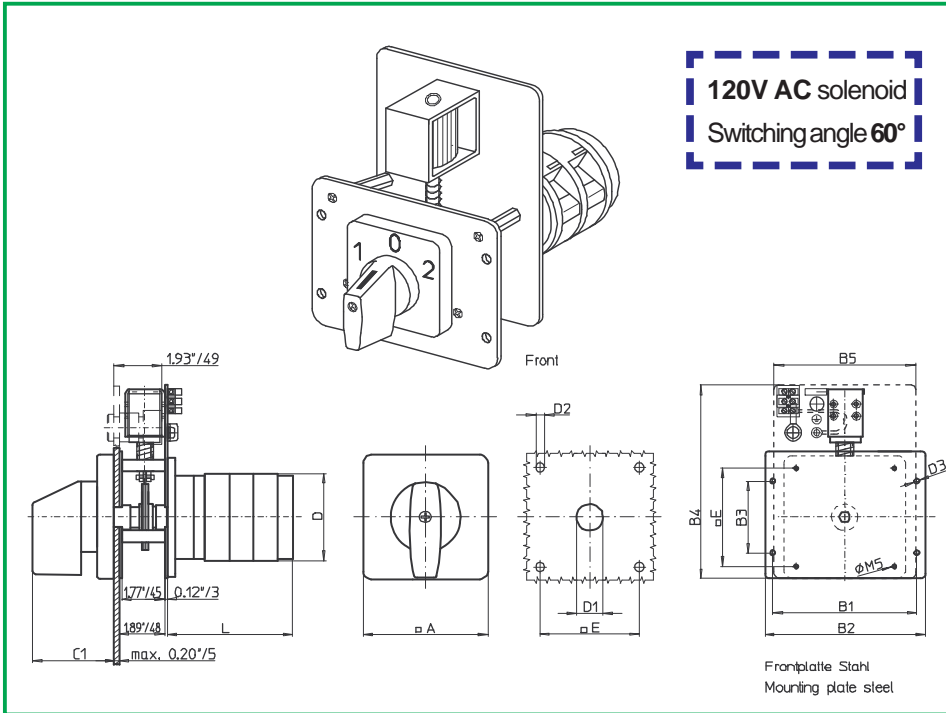
SMD modules for basic switch (A84)			
Mounting form module for 612G1		S600	BFA6-003
Interlock module, mounting form 612G1			ZVD6-DC024/60
G-operator module 88 x 88 mm, mounting form 612G1			6AG1
Starting position of the handle 09h			
Escutcheon black, handle black			
G-operator module 88 x 88 mm, mounting form 612G1			6BG1
Starting position of the handle 12h			
Escutcheon black, handle black			
Legend plate silver, operator module 612G1			FAS6 - (FA number)

Dimensions (mm)															each add. stage
Type	A	A1	B1	B2	B3	B4	B5	C1	D	D1	D2	D3	E	L ^{*)}	
S606	88	86	152,4	170	76,2	205	150	74	210	20	5,5	5,5	68	59	22
S608	88	86	152,4	170	76,2	205	150	74	210	20	5,5	5,5	68	66	26
S612	88	86	152,4	170	76,2	205	150	74	210	20	5,5	5,5	68	72	32

L^{*)} Dimension for switch with 1 contact stage

Front mounting switch

Available upon request



Product line S600

Front mounting switch
Solenoid lock device
Solenoid 120V AC
Interlock
Solenoid energised

Four hole mounting
152,4mm x 76,2mm (6" x 3")

M-operator module
88 x 88 mm escutcheon

613M1 (IP55)

Complete switch	Poles	Product lines	Rated data (IEC 60947)			Order code number
			Operational current I _e	Operational power at 380–440 V		
			AC-21A A	AC-23A kW	AC-3 kW	
Rotary Cam Switches Switching angle 60° padlockable in 60° steps	1 ... 24	S600	80 100 160	45 55 75	30 37 45	S606 - 61 ... - 613M1 S608 - 61 ... - 613M1 S612 - 61 ... - 613M1

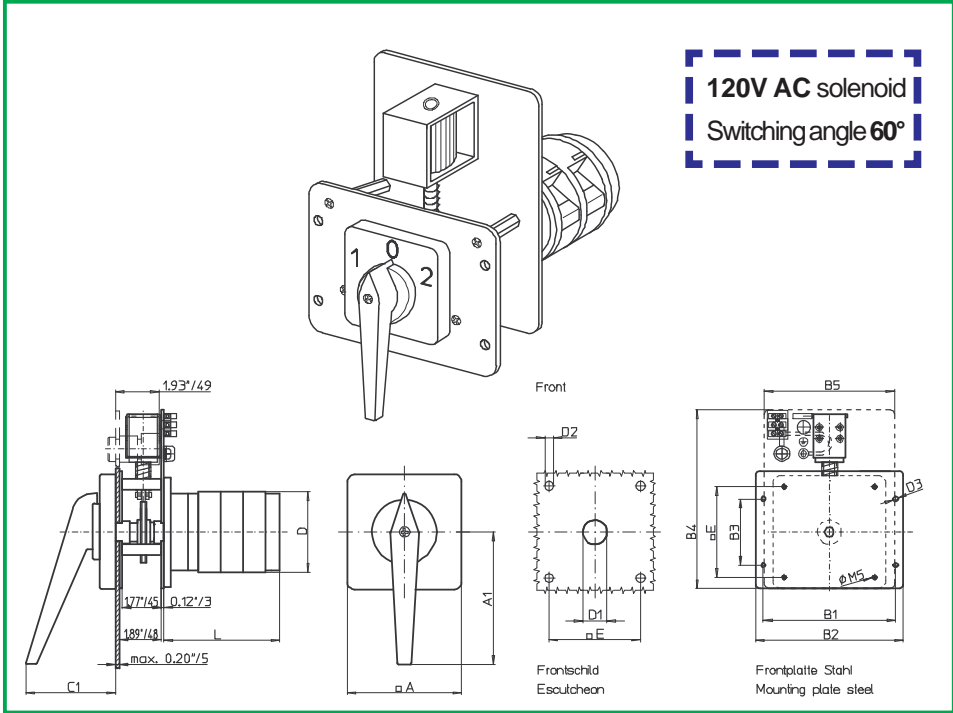
SMD modules for basic switch (A84)			
Mounting form module for 613M1		S600	BFA6-003
Interlock module, mounting form 613M1			ZVD6-AC120/60
M-operator module 88 x 88 mm, mounting form 613M1			6AM1
Starting position of the handle 09h			
Escutcheon black, handle black			
M-operator module 88 x 88 mm, mounting form 613M1			6BM1
Starting position of the handle 12h			
Escutcheon black, handle black			
Legend plate silver, operator module 613M1			FAS6 - (FA number)

Dimensions (mm)														each add. stage
Type	A	B1	B2	B3	B4	B5	C1	D	D1	D2	D3	E	L ^{*)}	
S606	88	152,4	170	76,2	205	150	52	210	20	5,5	5,5	68	59	22
S608	88	152,4	170	76,2	205	150	52	210	20	5,5	5,5	68	66	26
S612	88	152,4	170	76,2	205	150	52	210	20	5,5	5,5	68	72	32

L^{*)} Dimension for switch with 1 contact stage

Front mounting switch

Available upon request



120V AC solenoid
Switching angle 60°

Product line
S600

Front mounting switch
Solenoid lock device
Solenoid 120V AC
Interlock
Solenoid energised

Four hole mounting
152,4mm x 76,2mm (6" x 3")

G-operator module
88 x 88 mm escutcheon

613G1 (IP55)

Complete switch	Poles	Product lines	Rated data (IEC 60947)			Order code number
			Operational current I _e	Operational power at 380–440 V		
			AC-21A A	AC-23A kW	AC-3 kW	
Rotary Cam Switches Switching angle 60° padlockable in 60° steps	1 ... 24	S600	80 100 160	45 55 75	30 37 45	S606 - 61 ... - 613G1 S608 - 61 ... - 613G1 S612 - 61 ... - 613G1

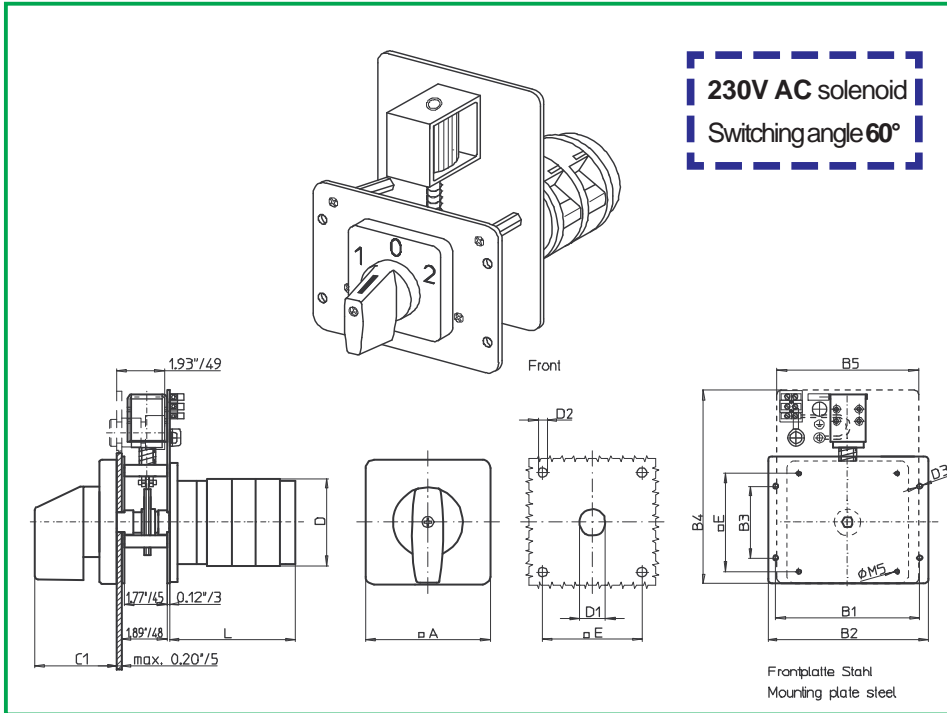
SMD modules for basic switch (A84)			
Mounting form module for 613G1		S600	BFA6-003
Interlock module, mounting form 613G1			ZVD6-AC120/60
G-operator module 88 x 88 mm, mounting form 613G1			6AG1
Starting position of the handle 09h Escutcheon black, handle black			
G-operator module 88 x 88 mm, mounting form 613G1			6BG1
Starting position of the handle 12h Escutcheon black, handle black			
Legend plate silver, operator module 613G1			FAS6 - (FA number)

Dimensions (mm)															each add. stage
Type	A	A1	B1	B2	B3	B4	B5	C1	D	D1	D2	D3	E	L*)	
S606	88	86	152,4	170	76,2	205	150	74	210	20	5,5	5,5	68	59	22
S608	88	86	152,4	170	76,2	205	150	74	210	20	5,5	5,5	68	66	26
S612	88	86	152,4	170	76,2	205	150	74	210	20	5,5	5,5	68	72	32

L*) Dimension for switch with 1 contact stage

Front mounting switch

Available upon request



230V AC solenoid
Switching angle 60°

Product line
S600

Front mounting switch
Solenoid lock device
Solenoid 230V AC
Interlock
Solenoid energised

Four hole mounting
152,4mm x 76,2mm (6" x 3")

M-operator module
88 x 88 mm escutcheon

614M1 (IP55)

Complete switch	Poles	Product lines	Rated data (IEC 60947)			Order code number
			Operational current I _e	Operational power at 380–440 V		
			AC-21A A	AC-23A kW	AC-3 kW	
Rotary Cam Switches Switching angle 60° padlockable in 60° steps	1 ... 24	S600	80 100 160	45 55 75	30 37 45	S606 - 61 ... - 614M1 S608 - 61 ... - 614M1 S612 - 61 ... - 614M1

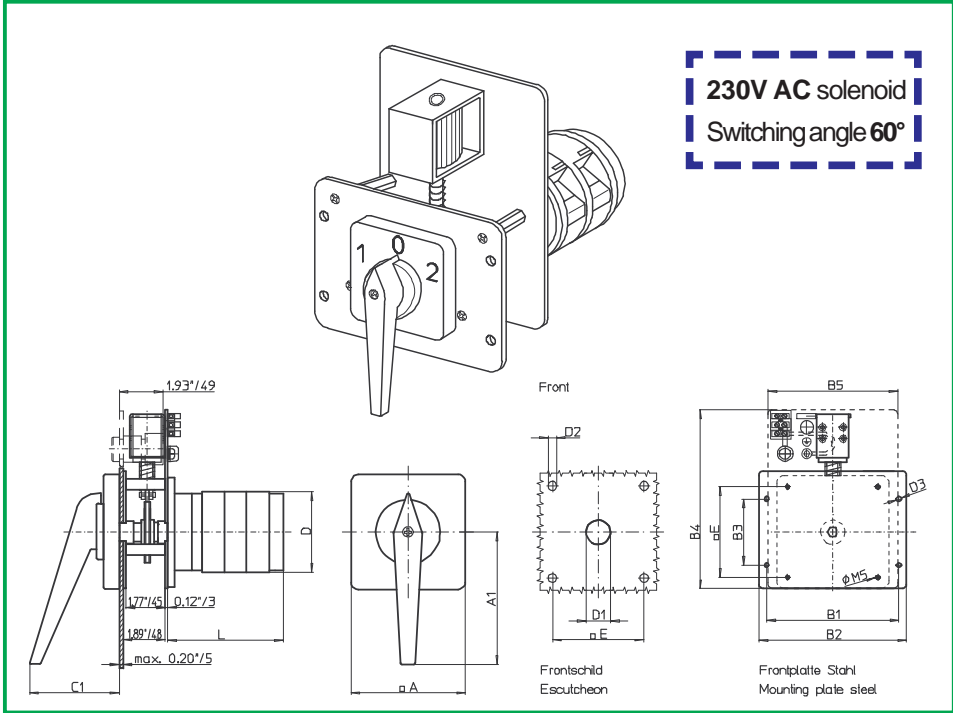
SMD modules for basic switch (A84)	Product lines	Order code number
Mounting form module for 614M1	S600	BFA6-003
Interlock module, mounting form 614M1		ZVD6-AC230/60
M-operator module 88 x 88 mm, mounting form 614M1		6AM1
Starting position of the handle 09h Escutcheon black, handle black		
M-operator module 88 x 88 mm, mounting form 614M1		6BM1
Starting position of the handle 12h Escutcheon black, handle black		
Legend plate silver, operator module 614M1		FAS6 - (FA number)

Dimensions (mm)														each add. stage
Type	A	B1	B2	B3	B4	B5	C1	D	D1	D2	D3	E	L ^{*)}	
S606	88	152,4	170	76,2	205	150	52	210	20	5,5	5,5	68	59	22
S608	88	152,4	170	76,2	205	150	52	210	20	5,5	5,5	68	66	26
S612	88	152,4	170	76,2	205	150	52	210	20	5,5	5,5	68	72	32

L^{*)} Dimension for switch with 1 contact stage

Front mounting switch

Available upon request



Product line
S600

Front mounting switch
 Solenoid lock device
 Solenoid 230V AC
Interlock
 Solenoid energised

Four hole mounting
 152,4mm x 76,2mm (6" x 3")

G-operator module
 88 x 88 mm escutcheon

614G1 (IP55)

Complete switch	Poles	Product lines	Rated data (IEC 60947)			Order code number
			Operational current I _e	Operational power at 380–440 V		
			AC-21A A	AC-23A kW	AC-3 kW	
Rotary Cam Switches Switching angle 60° padlockable in 60° steps	1 ... 24	S600	80 100 160	45 55 75	30 37 45	S606 - 61 ... - 614G1 S608 - 61 ... - 614G1 S612 - 61 ... - 614G1

SMD modules for basic switch (A84)			
Mounting form module for 614G1		S600	BFA6-003
Interlock module, mounting form 614G1			ZVD6-AC230/60
G-operator module 88 x 88 mm, mounting form 614G1			6AG1
Starting position of the handle 09h			
Escutcheon black, handle black			
G-operator module 88 x 88 mm, mounting form 614G1			6BG1
Starting position of the handle 12h			
Escutcheon black, handle black			
Legend plate silver, operator module 614G1			FAS6 - (FA number)

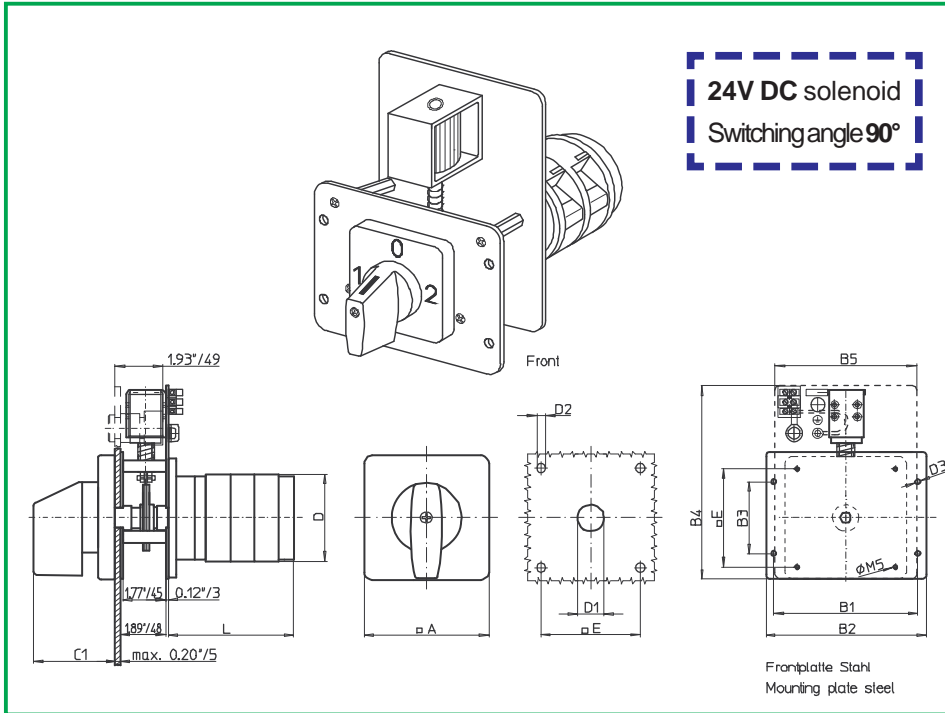
Dimensions (mm)															each add. stage
Type	A	A1	B1	B2	B3	B4	B5	C1	D	D1	D2	D3	E	L*)	
S606	88	86	152,4	170	76,2	205	150	74	210	20	5,5	5,5	68	59	22
S608	88	86	152,4	170	76,2	205	150	74	210	20	5,5	5,5	68	66	26
S612	88	86	152,4	170	76,2	205	150	74	210	20	5,5	5,5	68	72	32

L*) Dimension for switch with 1 contact stage

Front mounting switch

For US market only

sälzer



**Product line
S600**

Front mounting switch
Solenoid lock device
Solenoid 24V DC
Interlock
Solenoid energised

Four hole mounting
152,4mm x 76,2mm (6" x 3")

M-operator module
88 x 88 mm escutcheon

617M1 (IP55)

Complete switch	Poles	Product lines	Rated data (IEC 60947)			Order code number
			Operational current I _e	Operational power at 380–440 V		
			AC-21A A	AC-23A kW	AC-3 kW	
Rotary Cam Switches Switching angle 90° padlockable in 90° steps	1 ... 24	S600	80 100 160	45 55 75	30 37 45	S606 - 61 ... - 617M1 S608 - 61 ... - 617M1 S612 - 61 ... - 617M1

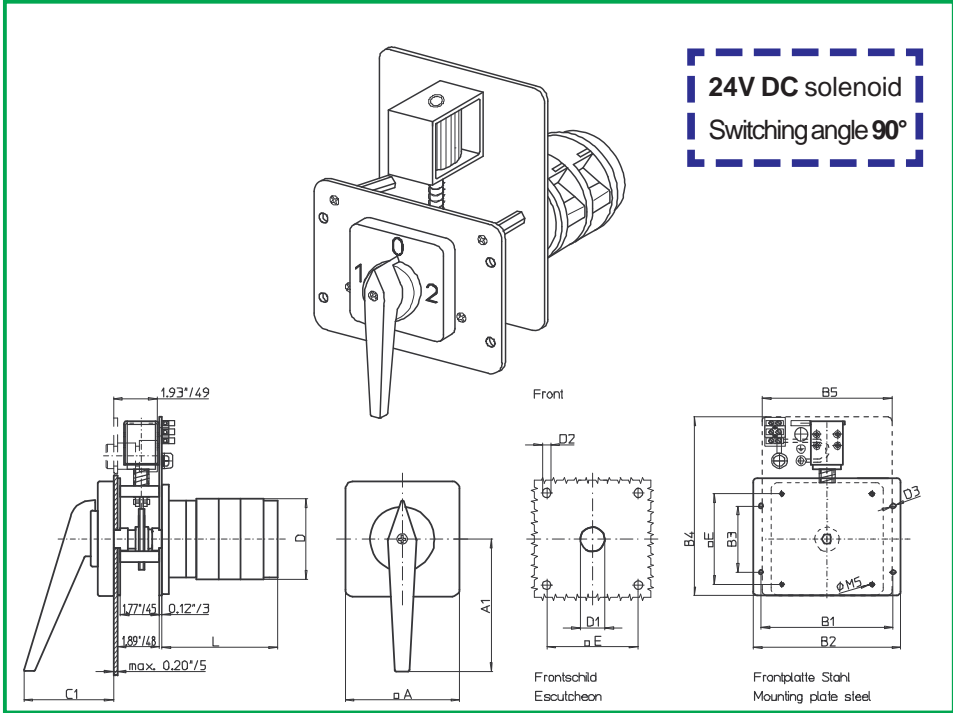
SMD modules for basic switch (A84)			
Mounting form module for 617M1		S600	BFA6-003
Interlock module, mounting form 617 M1			ZVD6-DC024/90
M-operator module 88 x 88 mm, mounting form 617M1			6AM1
Starting position of the handle 09h Escutcheon black, handle black			
M-operator module 88 x 88 mm, mounting form 617M1			6BM1
Starting position of the handle 12h Escutcheon black, handle black			
Legend plate silver, operator module 617M1			FAS6 - (FA number)

Dimensions (mm)														each add. stage
Type	A	B1	B2	B3	B4	B5	C1	D	D1	D2	D3	E	L ^{*)}	
S606	88	152,4	170	76,2	205	150	52	210	20	5,5	5,5	68	59	22
S608	88	152,4	170	76,2	205	150	52	210	20	5,5	5,5	68	66	26
S612	88	152,4	170	76,2	205	150	52	210	20	5,5	5,5	68	72	32

L^{*)} Dimension for switch with 1 contact stage

Front mounting switch

For US market only



Product line
S600

Front mounting switch
Solenoid lock device
Solenoid 24V DC
Interlock
Solenoid energised

Four hole mounting
152,4mm x 76,2mm (6" x 3")

G-operator module
88 x 88 mm escutcheon

617G1 (IP55)

Complete switch	Poles	Product lines	Rated data (IEC 60947)			Order code number
			Operational current I _e	Operational power at 380–440 V		
			AC-21A A	AC-23A kW	AC-3 kW	
Rotary Cam Switches Switching angle 90° padlockable in 90° steps	1 ... 24	S600	80 100 160	45 55 75	30 37 45	S606 - 61 ... - 617G1 S608 - 61 ... - 617G1 S612 - 61 ... - 617G1

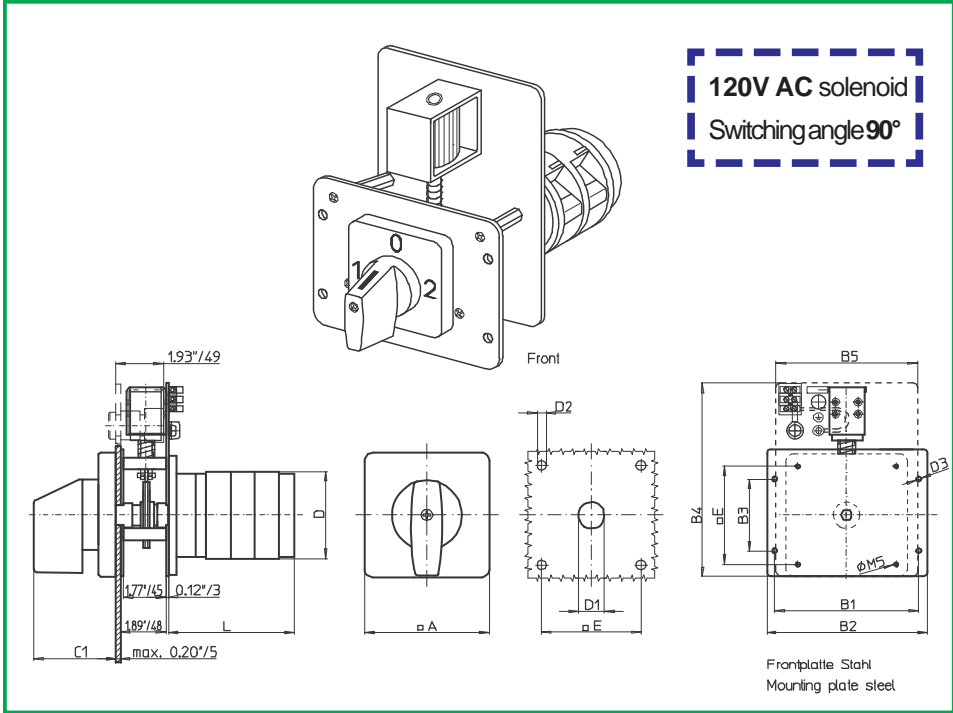
SMD modules for basic switch (A84)			
Mounting form module for 617G1		S600	BFA6-003
Interlock module, mounting form 617G1			ZVD6-DC024/90
G-operator module 88 x 88 mm, mounting form 617G1			6AG1
Starting position of the handle 09h			
Escutcheon black, handle black			
G-operator module 88 x 88 mm, mounting form 617G1			6BG1
Starting position of the handle 12h			
Escutcheon black, handle black			
Legend plate silver, operator module 617G1			FAS6 - (FA number)

Dimensions (mm)															each add. stage
Type	A	A1	B1	B2	B3	B4	B5	C1	D	D1	D2	D3	E	L ^{*)}	
S606	88	86	152,4	170	76,2	205	150	66	210	20	5,5	5,5	68	59	22
S608	88	86	152,4	170	76,2	205	150	66	210	20	5,5	5,5	68	66	26
S612	88	86	152,4	170	76,2	205	150	66	210	20	5,5	5,5	68	72	32

L^{*)} Dimension for switch with 1 contact stage

Front mounting switch

Available upon request



120V AC solenoid
Switching angle 90°

Product line
S600

Front mounting switch
Solenoid lock device
Solenoid 120V AC
Interlock
Solenoid energised

Four hole mounting
152,4mm x 76,2mm (6" x 3")

M-operator module
88 x 88 mm escutcheon

618M1 (IP55)

Complete switch	Poles	Product lines	Rated data (IEC 60947)			Order code number
			Operational current I _e	Operational power at 380–440 V		
			AC-21A A	AC-23A kW	AC-3 kW	
Rotary Cam Switches Switching angle 90° padlockable in 90° steps	1 ... 24	S600	80 100 160	45 55 75	30 37 45	S606 - 61 ... - 618M1 S608 - 61 ... - 618M1 S612 - 61 ... - 618M1

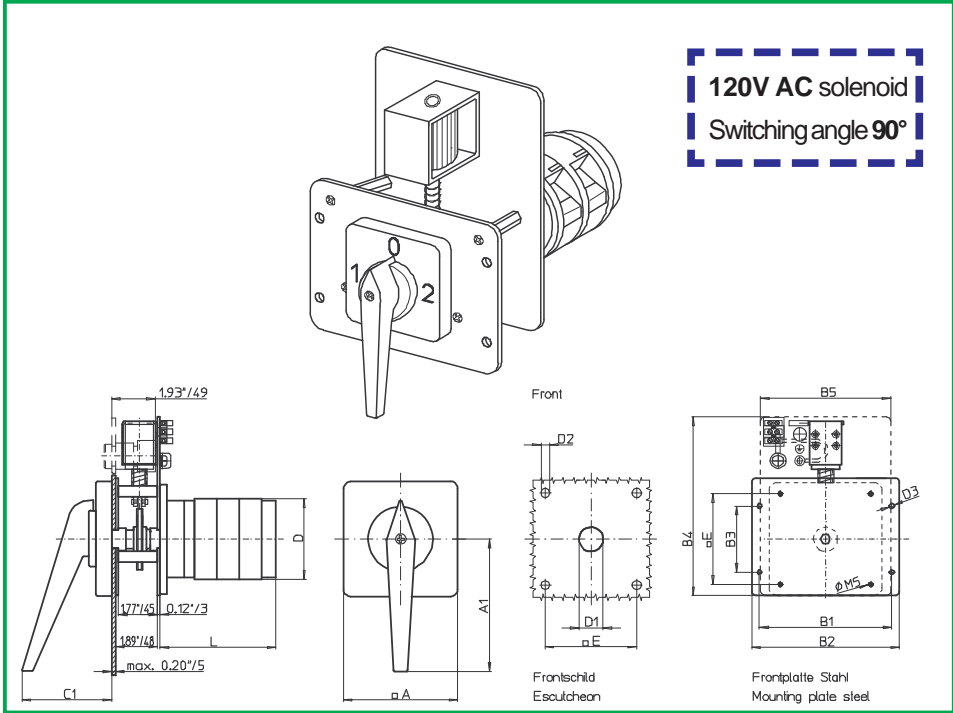
SMD modules for basic switch (A84)		
Mounting form module for 618M1	S600	BFA6-003
Interlock module, mounting form 618M1		ZVD6-AC120/90
M-operator module 88 x 88 mm, mounting form 618M1		6AM1
Starting position of the handle 09h Escutcheon black, handle black		
M-operator module 88 x 88 mm, mounting form 618M1		6BM1
Starting position of the handle 12h Escutcheon black, handle black		
Legend plate silver, operator module 618M1		FAS6 - (FA number)

Dimensions (mm)														each add. stage
Type	A	B1	B2	B3	B4	B5	C1	D	D1	D2	D3	E	L ^{*)}	
S606	88	152,4	170	76,2	205	150	52	210	20	5,5	5,5	68	59	22
S608	88	152,4	170	76,2	205	150	52	210	20	5,5	5,5	68	66	26
S612	88	152,4	170	76,2	205	150	52	210	20	5,5	5,5	68	72	32

L^{*)} Dimension for switch with 1 contact stage

Front mounting switch

Available upon request



120V AC solenoid
Switching angle 90°

Product line
S600

Front mounting switch
Solenoid lock device
Solenoid 120V AC
Interlock
Solenoid energised

Four hole mounting
152,4mm x 76,2mm (6" x 3")

G-operator module
88 x 88 mm escutcheon

618G1 (IP55)

Complete switch	Poles	Product lines	Rated data (IEC 60947)			Order code number
			Operational current I _e	Operational power at 380–440 V		
			AC-21A A	AC-23A kW	AC-3 kW	

Rotary Cam Switches Switching angle 90° padlockable in 90° steps	1 ... 24	S600	80	45	30	S606 - 61 ... - 618G1
			100	55	37	S608 - 61 ... - 618G1
			160	75	45	S612 - 61 ... - 618G1

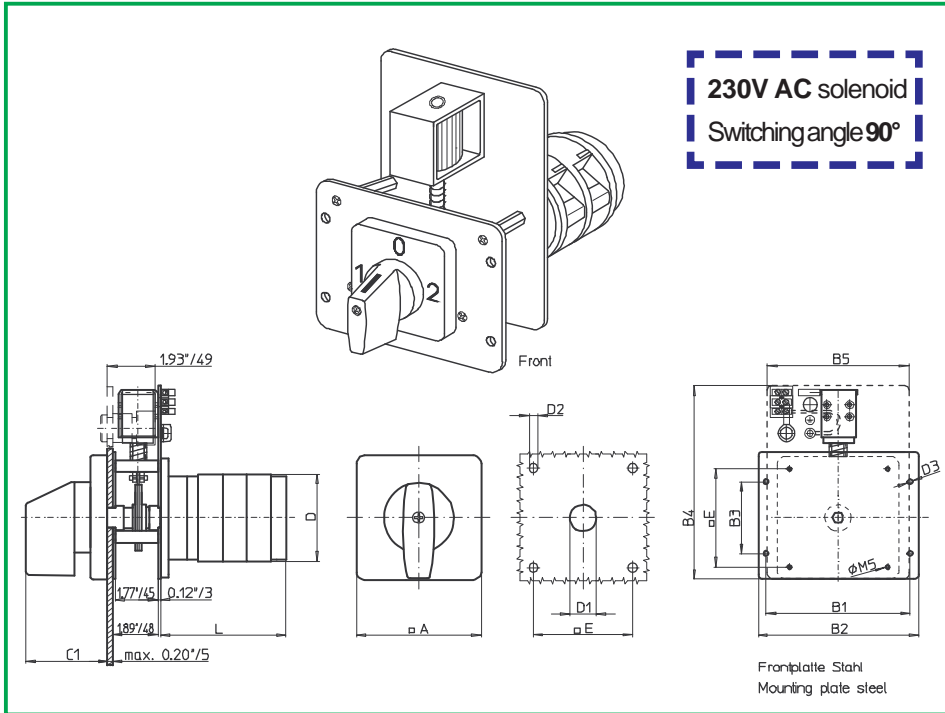
SMD modules for basic switch (A84)			
Mounting form module for 618G1		S600	BFA6-003
Interlock module, mounting form 618G1			ZVD6-AC120/90
G-operator module 88 x 88 mm, mounting form 618G1			6AG1
Starting position of the handle 09h			
Escutcheon black, handle black			
G-operator module 88 x 88 mm, mounting form 618G1			6BG1
Starting position of the handle 12h			
Escutcheon black, handle black			
Legend plate silver, operator module 618G1			FAS6 - (FA number)

Dimensions (mm)															each add. stage
Type	A	A1	B1	B2	B3	B4	B5	C1	D	D1	D2	D3	E	L ^{*)}	
S606	88	86	152,4	170	76,2	205	150	74	210	20	5,5	5,5	68	59	22
S608	88	86	152,4	170	76,2	205	150	74	210	20	5,5	5,5	68	66	26
S612	88	86	152,4	170	76,2	205	150	74	210	20	5,5	5,5	68	72	32

L^{*)} Dimension for switch with 1 contact stage

Front mounting switch

Available upon request



Product line
S600

Front mounting switch
Solenoid lock device
Solenoid 230V AC
Interlock
Solenoid energised

Four hole mounting
152,4mm x 76,2mm (6" x 3")

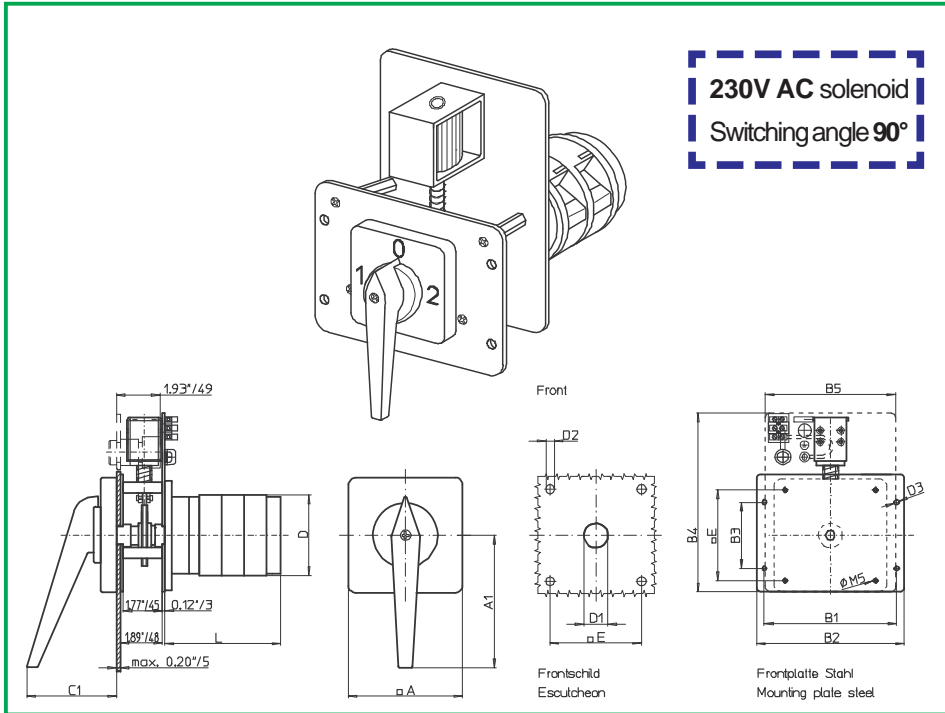
M-operator module
88 x 88 mm escutcheon

619M1 (IP55)

Complete switch	Poles	Product lines	Rated data (IEC 60947)			Order code number								
			Operational current I _e	Operational power at 380–440 V										
			AC-21A A	AC-23A kW	AC-3 kW									
Rotary Cam Switches Switching angle 90° padlockable in 90° steps	1 ... 24	S600	80 100 160	45 55 75	30 37 45	S606 - 61 ... - 619M1 S608 - 61 ... - 619M1 S612 - 61 ... - 619M1								
SMD modules for basic switch (A84)														
Mounting form module for 619M1				S600		BFA6-003								
Interlock module, mounting form 619M1						ZVD6-AC230/90								
M-operator module 88 x 88 mm, mounting form 619M1						6AM1								
Starting position of the handle 09h														
Escutcheon black, handle black														
M-operator module 88 x 88 mm, mounting form 619M1						6BM1								
Starting position of the handle 12h														
Escutcheon black, handle black														
Legend plate silver, operator module 619M1						FAS6 - (FA number)								
Dimensions (mm)														
Type	A	B1	B2	B3	B4	B5	C1	D	D1	D2	D3	E	L ^{*)}	each add. stage
S606	88	152,4	170	76,2	205	150	52	210	20	5,5	5,5	68	59	22
S608	88	152,4	170	76,2	205	150	52	210	20	5,5	5,5	68	66	26
S612	88	152,4	170	76,2	205	150	52	210	20	5,5	5,5	68	72	32
L ^{*)} Dimension for switch with 1 contact stage														

Front mounting switch

Available upon request



Product line
S600

Front mounting switch
Solenoid lock device
Solenoid 230V AC
Interlock
Solenoid energised

Four hole mounting
152,4mm x 76,2mm (6" x 3")

G-operator module
88 x 88 mm escutcheon

619G1 (IP55)

Complete switch	Poles	Product lines	Rated data (IEC 60947)			Order code number
			Operational current I _e	Operational power at 380–440 V		
			AC-21A A	AC-23A kW	AC-3 kW	
Rotary Cam Switches Switching angle 90° padlockable in 90° steps	1 ... 24	S600	80 100 160	45 55 75	30 37 45	S606 - 61 ... - 619G1 S608 - 61 ... - 619G1 S612 - 61 ... - 619G1

SMD modules for basic switch (A84)			
Mounting form module for 619G1		S600	BFA6-003
Interlock module, mounting form 619G1			ZVD6-AC230/90
G-operator module 88 x 88 mm, mounting form 619G1			6AG1
Starting position of the handle 09h			
Escutcheon black, handle black			
G-operator module 88 x 88 mm, mounting form 619G1			6BG1
Starting position of the handle 12h			
Escutcheon black, handle black			
Legend plate silver, operator module 619G1			FAS6 - (FA number)

Dimensions (mm)															each add. stage
Type	A	A1	B1	B2	B3	B4	B5	C1	D	D1	D2	D3	E	L ^{*)}	
S606	88	86	152,4	170	76,2	205	150	74	210	20	5,5	5,5	68	59	22
S608	88	86	152,4	170	76,2	205	150	74	210	20	5,5	5,5	68	66	26
S612	88	86	152,4	170	76,2	205	150	74	210	20	5,5	5,5	68	72	32

L^{*)} Dimension for switch with 1 contact stage



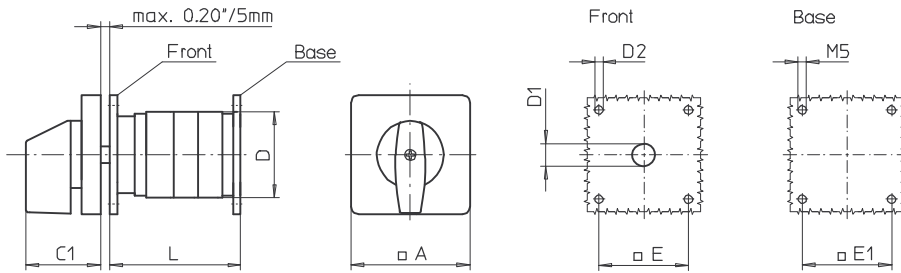
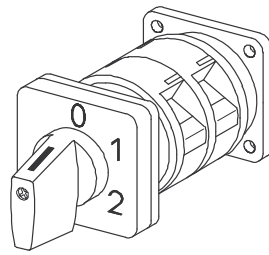
Section B

	Page	
	from	to
Base/front mounting	B1-1	B1-3
Door clutch	B1-4	B1-8
Door clutch with door interlock	B1-9	B1-15

Originator: Sälzer Electric GmbH · Product Data Management (PDM) · 09306 Rochlitz (Germany)
Copyright reserved by Sälzer Electric GmbH. This document replaces all previous issues.
Valid until a new version is published. Changes and revisions reserved.

Base Mounting Switches

sälzer



Product line
S600

Base mounting switch

Base/front mounting

Four hole mounting

68 x 68 mm front

68 x 68 mm base

M-operator module

88 x 88 mm escutcheon

002M1

Complete switch	Poles	Product lines	Rated data (IEC 60947)			Order code number
			Operational current I _e	Operational power at 380–440 V		
			AC-21A A	AC-23A kW	AC-3 kW	
Rotary Cam Switches	1 ... 24	S600	80	45	30	S606 - 61 ... - 002M1
Switching angle 30°/45°/60°/90°			100	55	37	S608 - 61 ... - 002M1
			160	75	45	S612 - 61 ... - 002M1

SMD modules for basic switch (A33)

Mounting form module for 002M1	S600	BFA6 - 002
M-operator module 88 x 88 mm, mounting form 002M1		6AM1
Starting position of the handle 09h		
Escutcheon black, handle black		
M-operator module 88 x 88 mm, mounting form 002M1		6BM1
Starting position of the handle 12h		
Escutcheon black, handle black		
Legend plate silver, operator module 002M1		FAS6 - (FA number)

Dimensions (mm)

Type	A	C1	D	D1	D2	E1	E2	L with ... stages (max. 12)						each add. stage
								1	2	3	4	5	6	
S606	88	52	84	15	5,5	68	68	64	86	108	130	152	174	22
S608	88	52	88	15	5,5	68	68	71	97	123	149	175	201	26
S612	88	52	88	15	5,5	68	68	77	109	141	173	205	237	32

Base Mounting Switches

sälzer

Product line
S600

Base mounting switch

Base/front mounting

Four hole mounting

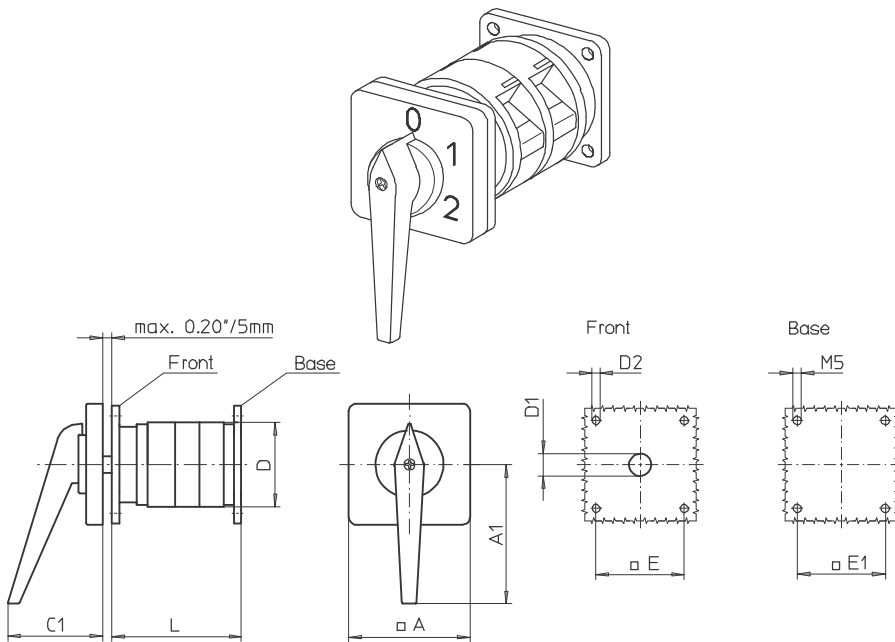
68 x 68 mm front

68 x 68 mm base

G-operator module

88 x 88 mm escutcheon

002G1



Complete switch	Poles	Product lines	Rated data (IEC 60947)			Order code number
			Operational current I_e	Operational power at 380–440 V		
			AC-21A A	AC-23A kW	AC-3 kW	
Rotary Cam Switches Switching angle 30°/45°/60°/90°	1 ... 24	S600	80 100 160	45 55 75	30 37 45	S606 - 61 ... - 002G1 S608 - 61 ... - 002G1 S612 - 61 ... - 002G1

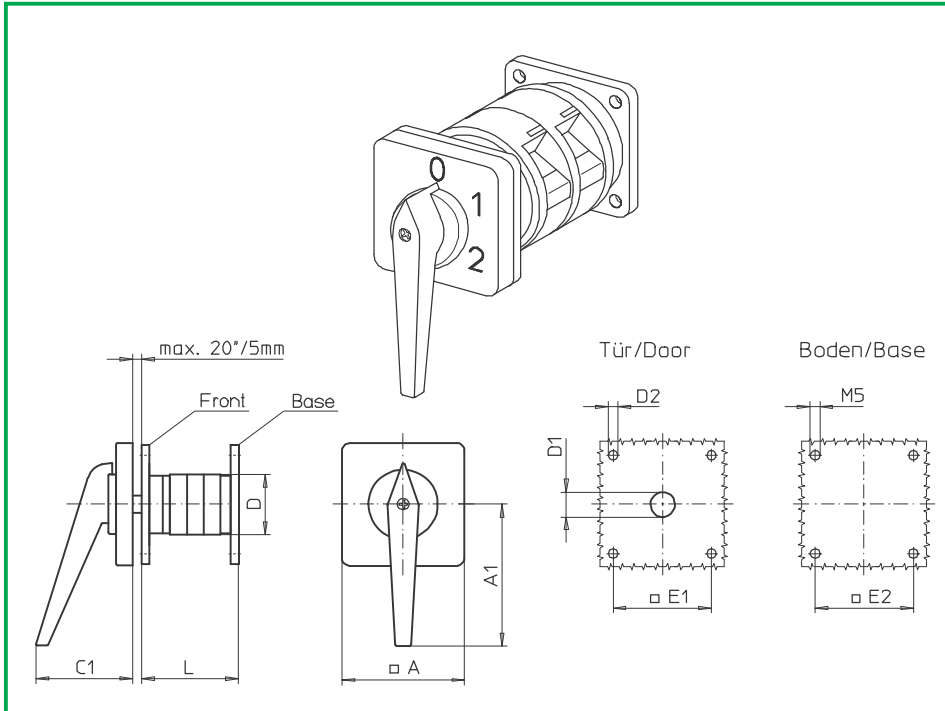
SMD modules for basic switch (A33)

Mounting form module for 002G1	S600	BFA6 - 002
G-operator module 88 x 88 mm, mounting form 002G1		6AG1
Starting position of the handle 09h		
Escutcheon black, handle black		
G-operator module 88 x 88 mm, mounting form 002G1		6BG1
Starting position of the handle 12h		
Escutcheon black, handle black		
Legend plate silver, operator module 002G1		FAS6 - (FA number)

Dimensions (mm)

Type	A	A1	C1	D	D1	D2	E1	E2	L with ... stages (max. 12)					each add. stage
									1	2	3	4	5	
S606	88	86	66	84	15	5,5	68	68	64	86	108	130	152	22
S608	88	86	66	88	15	5,5	68	68	71	97	123	149	175	26
S612	88	86	66	88	15	5,5	68	68	77	109	141	173	205	32

Base Mounting Switches



Product line
S600

Base mounting switch
operator module of next size
Base/front mounting

Four hole mounting
104 x 104 mm front
104 x 104 mm base

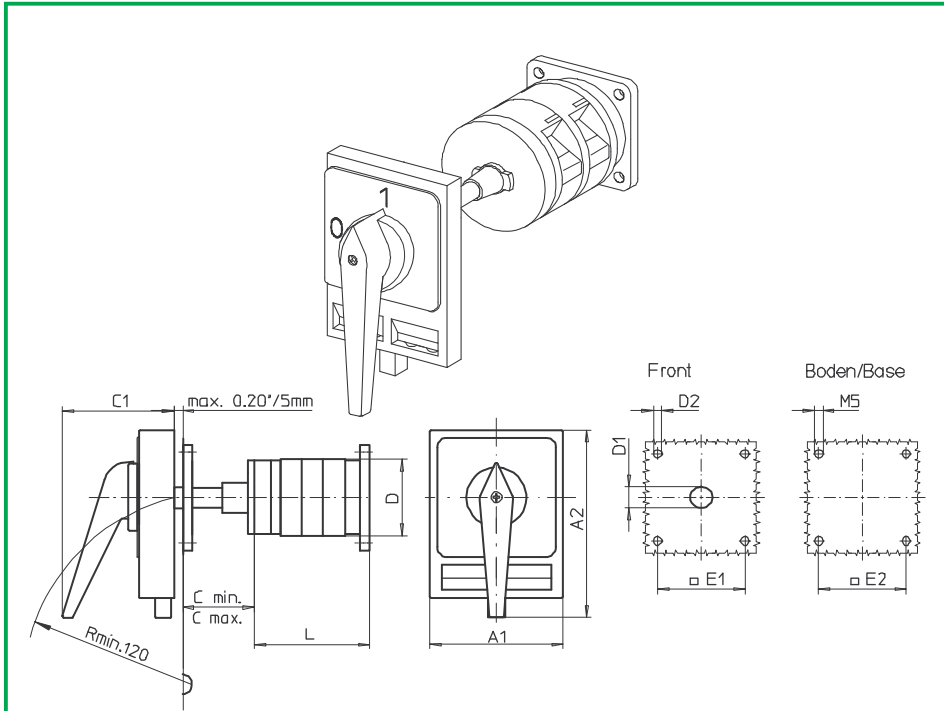
G-operator module
130 x130 mm escutcheon

012G1

Complete switch	Poles	Product lines	Rated data (IEC 60947)			Order code number								
			Operational current I _e	Operational power at 380–440 V										
			AC-21A A	AC-23A kW	AC-3 kW									
Rotary Cam Switches Switching angle 30°/45°/60°/90°	1 ... 24	S600	80 100 160	45 55 75	30 37 45	S606 - 61 ... - 012G1 S608 - 61 ... - 012G1 S612 - 61 ... - 012G1								
SMD modules for basic switch (A33)														
Mounting form module for 012G1			S600			BFA6 - 012								
G-operator module 88 x 88 mm, mounting form 012G1 Starting position of the handle 09h Escutcheon black, handle black						8CG1								
G-operator module 88 x 88 mm, mounting form 012G1 Starting position of the handle 12h Escutcheon black, handle black						8DG1								
Legend plate silver, operator module 012G1						FAS8 - (FA number)								
Dimensions (mm)														
Type	A	A1	C1	D	D1	D2	E1/E2	L with ... stages (max. 12)					each add. stage	
S606	130	117	74	84	20	5,5	104	1	2	3	4	5	6	22
S608	130	117	74	88	20	5,5	104	77	103	129	155	181	207	26
S612	130	117	74	88	20	5,5	104	83	115	147	179	211	243	32

Base Mounting Switches

sälzer



Product line
S600

Base mounting switch

Door clutch

Base mounting
68 x 68 mm base

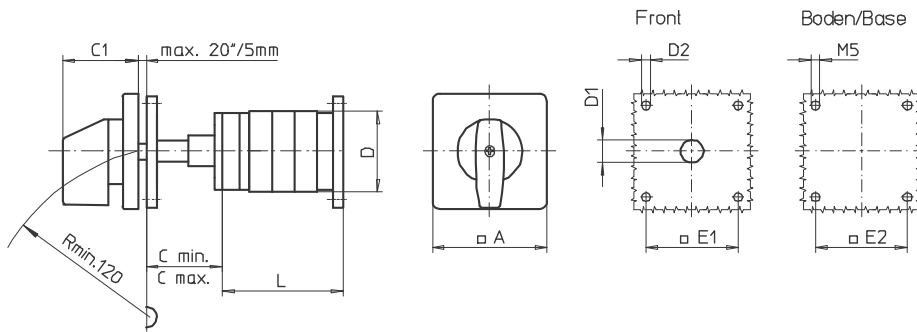
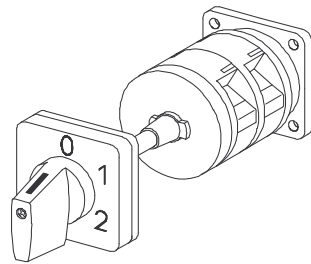
H-padlock device
98 x 142 mm

040H1 (IP55)

Complete switch	Poles	Product lines	Rated data (IEC 60947)			Order code number							
			Operational current I _e	Operational power at 380–440 V									
			AC-21A A	AC-23A kW	AC-3 kW								
Rotary Cam Switches	1 ... 24	S600	80	45	30	S606 - 61 ... - 040H1							
Switching angle 90°			100	55	37	S608 - 61 ... - 040H1							
padlockable 09h/12h/03h/06h			160	75	45	S612 - 61 ... - 040H1							
SMD modules for basic switch (A33)													
Mounting form module for 041M1			S600			BFA6 - 041							
H-padlock device 98 x 142 mm, mounting form 040H1						6CH1-99							
Starting position of the handle 09h													
Escutcheon black, handle black													
H-padlock device 98 x 142 mm, mounting form 040H1						6EH1-99							
Starting position of the handle 12h													
Escutcheon black, handle black													
Legend plate silver, operator module 040H1						FAS6 - (FA number)							
Dimensions (mm)													
Type	A1	A2	Cmin	Cmax	C1	D	D1	D2	E1	E2	L with ... stages (max. 12) each add. stage		
S606	98	142	48	60	83	84	18	5,5	68	68	1	2	22
S608	98	142	48	60	83	88	18	5,5	68	68	58	80	26
S612	98	142	48	60	83	88	18	5,5	68	68	65	91	26
											71	103	32

Base Mounting Switches

sälzer



Product line
S600

Base mounting switch

Door clutch

Base mounting

68 x 68 mm base

M-operator module

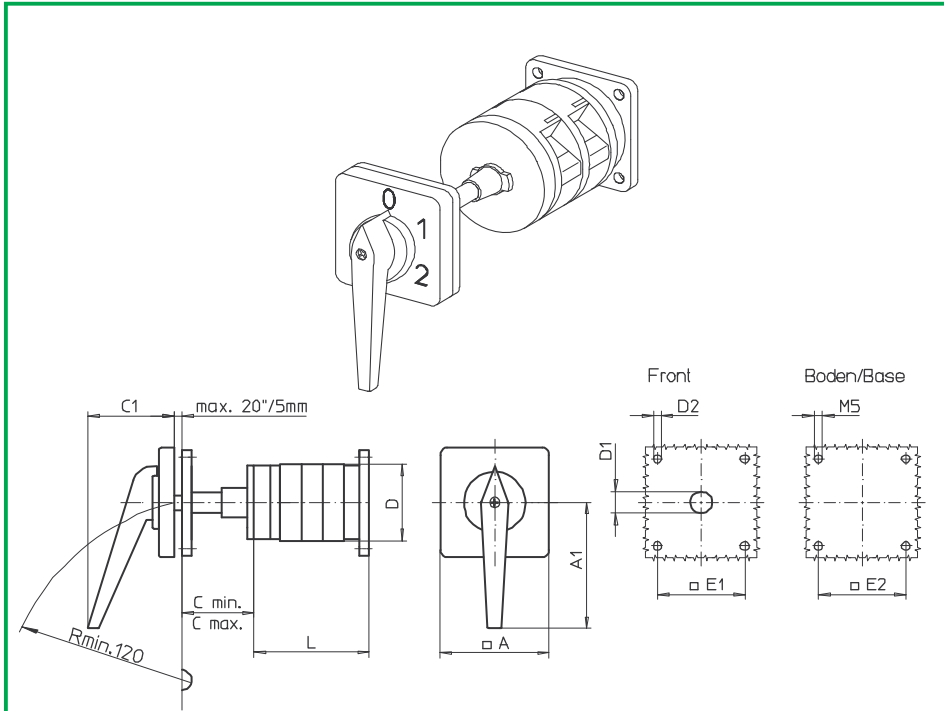
88 x 88 mm escutcheon

041M1 (IP55)

Complete switch	Poles	Product lines	Rated data (IEC 60947)			Order code number							
			Operational current I_e	Operational power at 380–440 V									
			AC-21A A	AC-23A kW	AC-3 kW								
Rotary Cam Switches	1 ... 24	S600	80	45	30	S606 - 61 ... - 041M1							
Switching angle 30°/45°/60°/90°			100	55	37	S608 - 61 ... - 041M1							
			160	75	45	S612 - 61 ... - 041M1							
SMD modules for basic switch (A33)													
Mounting form module for 041M1			S600			BFA6 - 041							
M-operator module 88 x 88 mm, mounting form 041M1						6AM1							
Starting position of the handle 09h													
Escutcheon black, handle black													
M-operator module 88 x 88 mm, mounting form 041M1						6BM1							
Starting position of the handle 12h													
Escutcheon black, handle black													
Legend plate silver, operator module 041M1						FAS6 - (FA number)							
Dimensions (mm)													
Type	A	Cmin	Cmax	C1	D	D1	D2	E1	E2	L with ... stages (max. 12)			each add. stage
S606	88	48	60	52	84	18	5,5	68	68	1	2	3	22
S608	88	48	60	52	88	18	5,5	68	68	65	91	117	26
S612	88	48	60	52	88	18	5,5	68	68	71	103	135	32

Base Mounting Switches

sälzer



Product line
S600

Base mounting switch

Door clutch

Base mounting

68 x 68 mm base

G-operator module

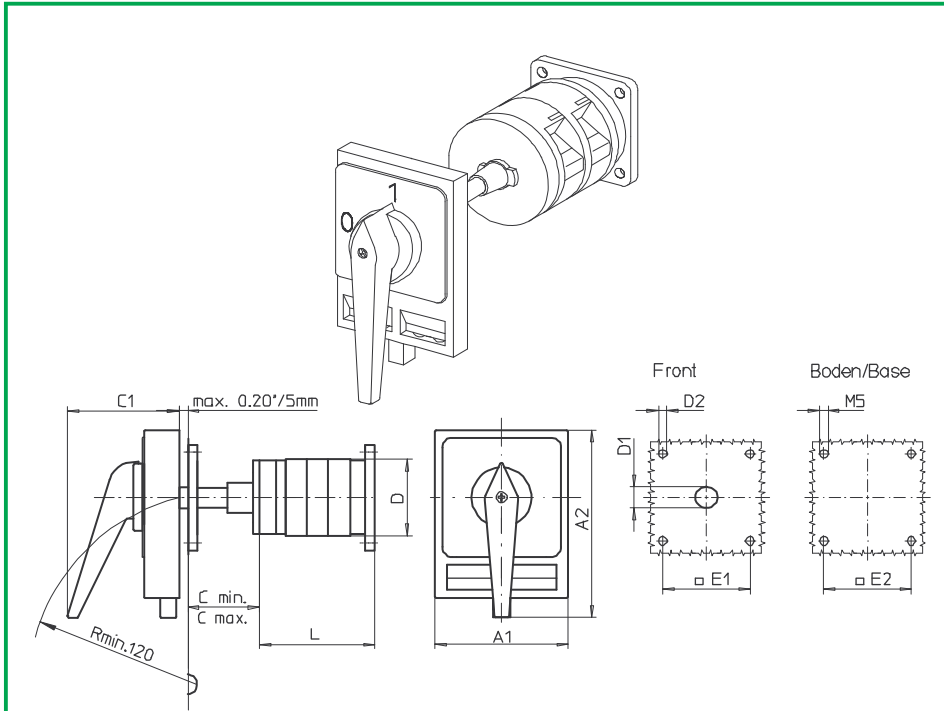
88 x 88 mm escutcheon

041G1 (IP55)

Complete switch	Poles	Product lines	Rated data (IEC 60947)			Order code number							
			Operational current I _e	Operational power at 380–440 V									
			AC-21A A	AC-23A kW	AC-3 kW								
Rotary Cam Switches	1 ... 24	S600	80	45	30	S606 - 61 ... - 041G1							
Switching angle 30°/45°/60°/90°			100	55	37	S608 - 61 ... - 041G1							
			160	75	45	S612 - 61 ... - 041G1							
SMD modules for basic switch (A33)													
Mounting form module for 041G1			S600			BFA6 - 041							
G-operator module 88 x 88 mm, mounting form 041G1						6AG1							
Starting position of the handle 09h													
Escutcheon black, handle black													
G-operator module 88 x 88 mm, mounting form 041G1						6BG1							
Starting position of the handle 12h													
Escutcheon black, handle black													
Legend plate silver, operator module 041G1						FAS6 - (FA number)							
Dimensions (mm)													
Type	A	C _{min}	C _{max}	C1	D	D1	D2	E1	E2	L with ... stages (max. 12)			
										1	2	3	each add. stage
S606	88	48	60	66	84	18	5,5	68	68	58	80	107	22
S608	88	48	60	66	88	18	5,5	68	68	65	91	117	26
S612	88	48	60	66	88	18	5,5	68	68	71	103	135	32

Base Mounting Switches

sälzer



Product line
S600

Base mounting switch

Door clutch

Base mounting

68 x 68 mm base

H-padlock device

98 x 142 mm

041H1 (IP55)

Complete switch	Poles	Product lines	Rated data (IEC 60947)			Order code number							
			Operational current I _e	Operational power at 380–440 V									
			AC-21A A	AC-23A kW	AC-3 kW								
Rotary Cam Switches	1 ... 24	S600	80	45	30	S606 - 61 ... - 041H1							
Switching angle 90°			100	55	37	S608 - 61 ... - 041H1							
padlockable 12h			160	75	45	S612 - 61 ... - 041H1							
SMD modules for basic switch (A33)													
Mounting form module for 041H1			S600			BFA6 - 041							
H-padlock device 98 x 142 mm, mounting form 041H1						6CH1-12							
Starting position of the handle 09h													
Escutcheon black, handle black													
H-padlock device 98 x 142 mm, mounting form 041H1						6EH1-12							
Starting position of the handle 12h													
Escutcheon black, handle black													
Legend plate silver, operator module 041H1						FAS6 - (FA number)							
Dimensions (mm)													
Type	A1	A2	Cmin	Cmax	C1	D	D1	D2	E1	E2	L with ... stages (max. 12) each add. stage		
S606	98	142	48	60	83	84	18	5,5	68	68	1	2	22
S608	98	142	48	60	83	88	18	5,5	68	68	58	80	26
S612	98	142	48	60	83	88	18	5,5	68	68	65	91	26
											71	103	32

Base Mounting Switches

sälzer

Product line
S600

Base mounting switch

Door clutch

Base mounting

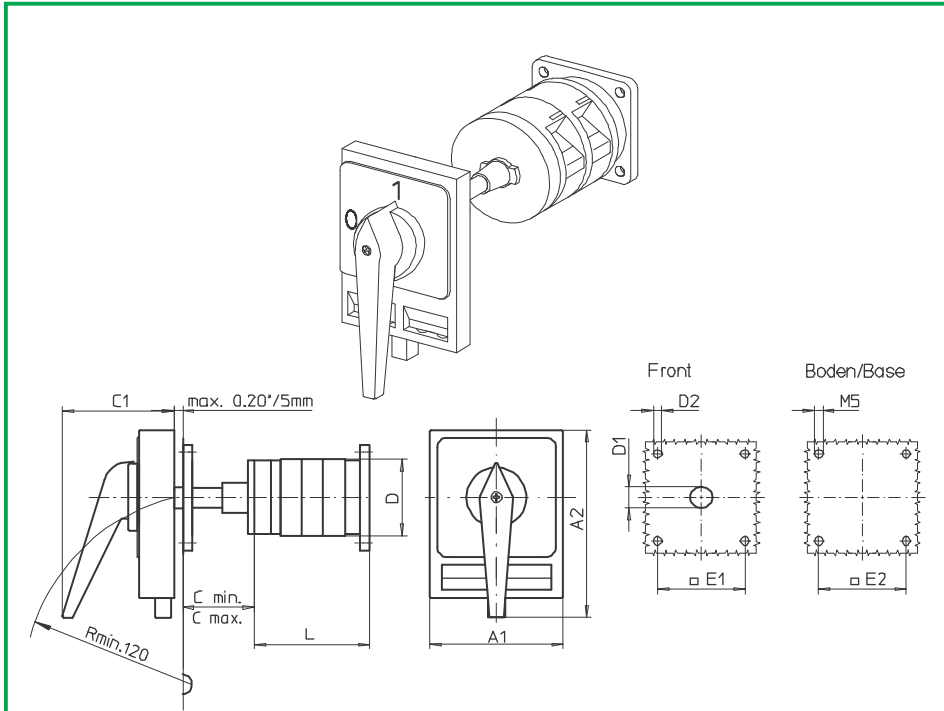
68 x 68 mm base

H-padlock device

98 x 142 mm

044H1 (IP55)

044H4 (IP55)

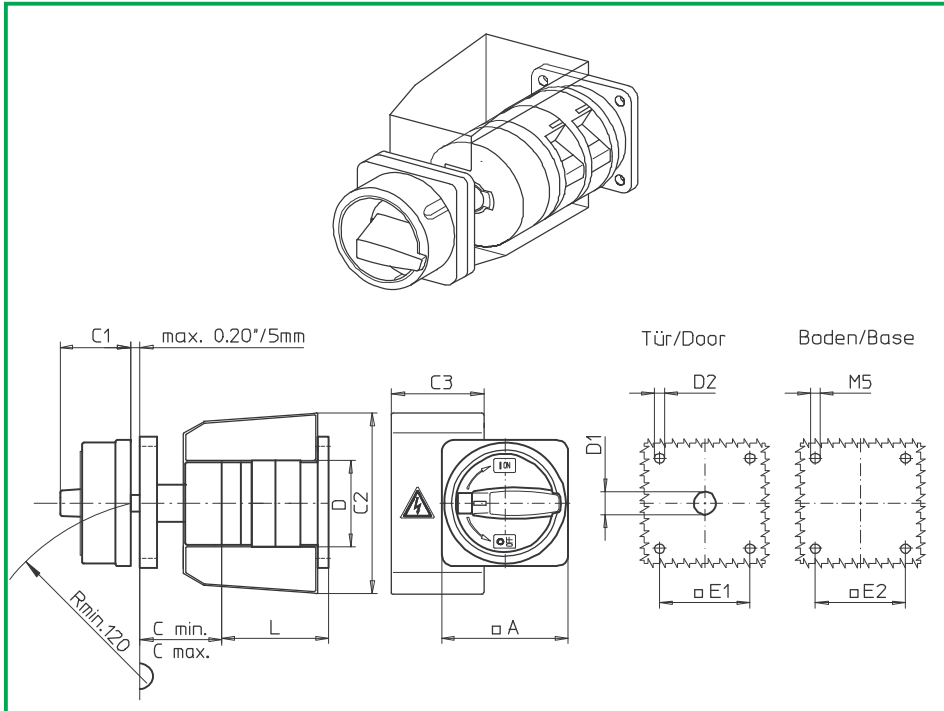


Complete switch	Poles	Product lines	Rated data (IEC 60947)			Order code number
			Operational current I _e	Operational power at 380–440 V		
			AC-21A A	AC-23A kW	AC-3 kW	
Rotary Cam Switches Switching angle 90° padlockable 09h	1 ... 24	S600	80	45	30	S606 - 61 ... - 044H1
			100	55	37	S608 - 61 ... - 044H1
			160	75	45	S612 - 61 ... - 044H1
	1 ... 24	S600	80	45	30	S606 - 61 ... - 044H4
100			55	37	S608 - 61 ... - 044H4	
160			75	45	S612 - 61 ... - 044H4	

SMD modules for basic switch (A33)			
Mounting form module for 044H1/044H4		S600	BFA6 - 041
H-padlock device 98 x 142 mm, mounting form 044H1 Starting position of the handle 09h, Escutcheon black, handle black			6CH1-09
H-padlock device 98 x 142 mm, mounting form 044H4 Starting position of the handle 09h, Escutcheon black, handle red			6CH4-09
Legend plate silver, operator module 044H1			FAS6 - (FA number)
Legend plate yellow, operator module 044H4			FBS6 - (FA number)

Dimensions (mm)													
Type	A1	A2	C _{min}	C _{max}	C1	D	D1	D2	E1	E2	L with ... stages (max. 12) each add. stage		
											1	2	stage
S606	98	142	48	60	83	84	18	5,5	68	68	58	80	22
S608	98	142	48	60	83	88	18	5,5	68	68	65	91	26
S612	98	142	48	60	83	88	18	5,5	68	68	71	103	32

Base Mounting Switches



Product line
S600

Base mounting switch

Door clutch with door interlock

Base mounting
68 x 68 mm base

M-padlock device
88 x 88 mm

034M1 (IP55)

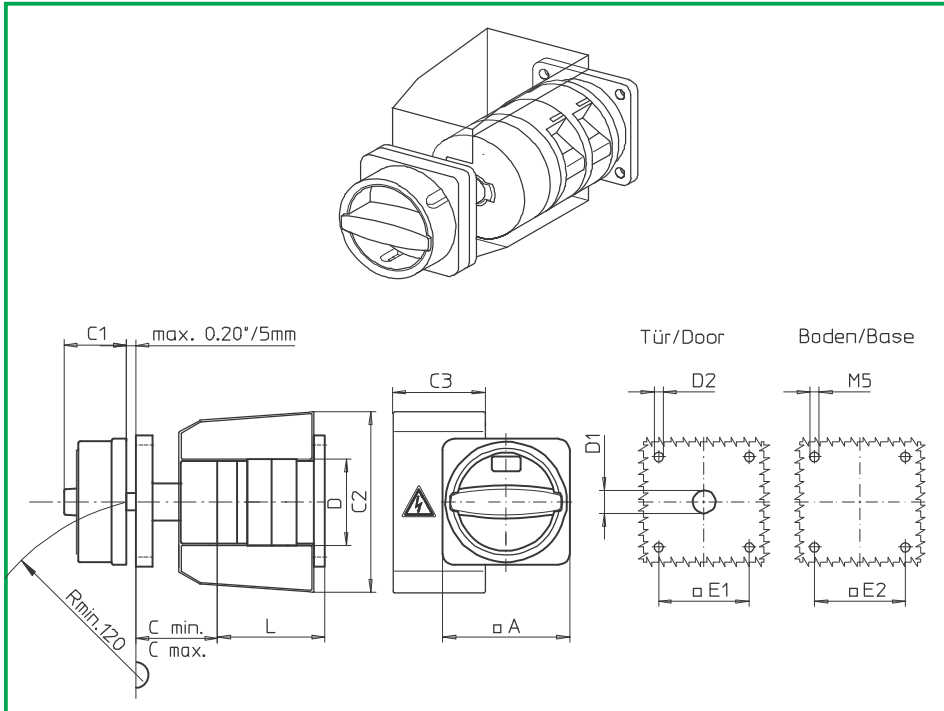
034M4 (IP55)

Complete switch	Poles	Product lines	Rated data (IEC 60947)			Order code number
			Operational current I _e	Operational power at 380–440 V		
			AC-21A A	AC-23A kW	AC-3 kW	
Main Switches	3 ... 8	S600	80	45	30	S606 - 61 ... - 034M1
Switching angle 90°			100	55	37	S608 - 61 ... - 034M1
OFF position padlockable 09h			160	75	45	S612 - 61 ... - 034M1
Main/Emergency-Off Switches	3 ... 8	S600	80	45	30	S606 - 61 ... - 034M4
Switching angle 90°			100	55	37	S608 - 61 ... - 034M4
OFF position padlockable 09h			160	75	45	S612 - 61 ... - 034M4

SMD modules for basic switch (A33)						
Mounting form module for 034M.			S600			BFA6 - 042
M-padlock device 88 x 88 mm, mounting form 034M1						6KM1
Escutcheon black, padlockable handle black						
M-padlock device 88 x 88 mm, mounting form 034M4						6KM4
Escutcheon yellow, padlockable handle red						
Additional legend plate						FAZ2-8041
Terminal cover			2 contact stages			S606,S608 TCA6 S612 TCC6

Dimensions (mm)											L with ... stages (max. 4) each add. stage			
Type	A	C _{min}	C _{max}	C1	D	D1	D2	E1	E2	1	2	3	stage	
S606	88	48	60	50	84	18	5,5	68	68	58	80	107	22	
S608	88	48	60	50	88	18	5,5	68	68	65	91	117	26	
S612	88	48	60	50	88	18	5,5	68	68	71	103	135	32	

Base Mounting Switches



Product line
S600

Base mounting switch

Door clutch with door interlock

Base mounting
68 x 68 mm base

N-padlock device
88 x 88 mm

034N1 (IP55)

034N4 (IP55)

Complete switch	Poles	Product lines	Rated data (IEC 60947)			Order code number
			Operational current I _e	Operational power at 380–440 V		
			AC-21A A	AC-23A kW	AC-3 kW	
Main Switches	3 ... 8	S600	80	45	30	S606 - 61 ... - 034N1
Switching angle 90°			100	55	37	S608 - 61 ... - 034N1
OFF position padlockable 09h			160	75	45	S612 - 61 ... - 034N1
Main/Emergency-Off Switches	3 ... 8	S600	80	45	30	S606 - 61 ... - 034N4
Switching angle 90°			100	55	37	S608 - 61 ... - 034N4
OFF position padlockable 09h			160	75	45	S612 - 61 ... - 034N4

SMD modules for basic switch (A33)						
Mounting form module for 034N.			S600			BFA6 - 042
N-padlock device 88 x 88 mm, mounting form 034N1						6KN1
Escutcheon black, padlockable handle black						
N-padlock device 88 x 88 mm, mounting form 034N4						6KN4
Escutcheon yellow, padlockable handle red						
Additional legend plate						FAZZ-8041
Terminal cover			2 contact stages			S606,S608 TCA6 S612 TCC6

Type	Dimensions (mm)											L with ... stages (max. 4) each add. stage		
	A	C _{min}	C _{max}	C1	C2	C3	D	D1	D2	E1	E2	1	2	3
S606	88	48	60	45	125	89	84	18	5,5	68	68	58	80	22
S608	88	48	60	45	125	89	88	18	5,5	68	68	65	91	26
S612	88	48	60	45	125	89	88	18	5,5	68	68	71	103	32

Base Mounting Switches

sälzer

Product line
S600

Base mounting switch

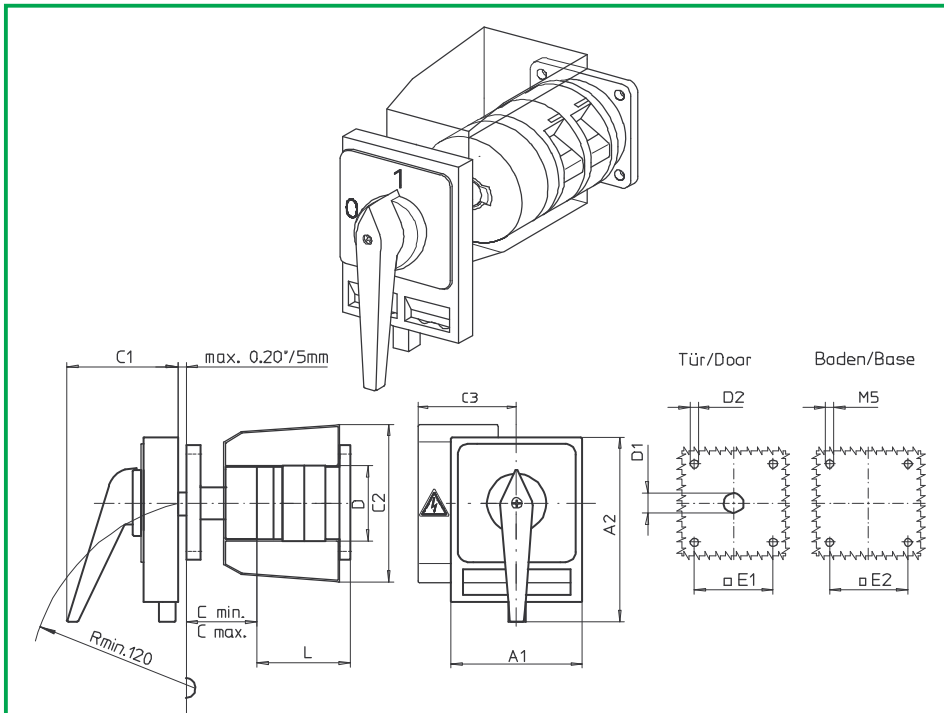
Door clutch with
door interlock

Base mounting
68 x 68 mm base

H-padlock device
98 x 142 mm

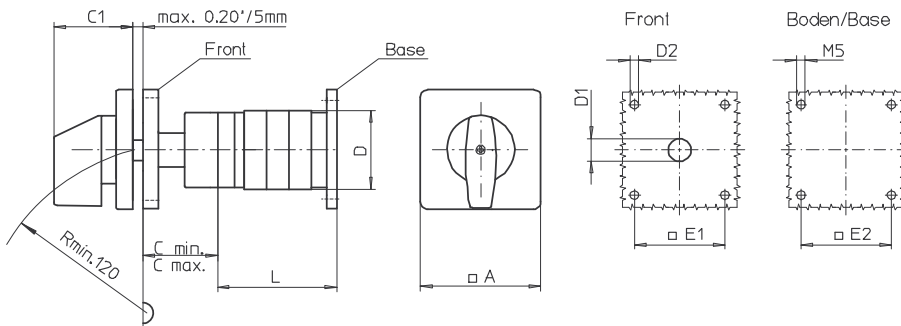
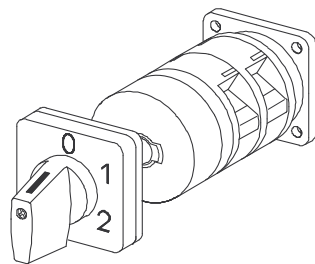
034H1 (IP55)

034H4 (IP55)



Complete switch	Poles	Product lines	Rated data (IEC 60947)			Order code number								
			Operational current I _e	Operational power at 380–440 V										
			AC-21A A	AC-23A kW	AC-3 kW									
Main Switches	3 ... 8	S600	80	45	30	S606 - 61 ... - 034H1								
Switching angle 90°			100	55	37	S608 - 61 ... - 034H1								
OFF position padlockable 09h			160	75	45	S612 - 61 ... - 034H1								
Main/Emergency-Off Switches	3 ... 8	S600	80	45	30	S606 - 61 ... - 034H4								
Switching angle 90°			100	55	37	S608 - 61 ... - 034H4								
OFF position padlockable 09h			160	75	45	S612 - 61 ... - 034H4								
SMD modules for basic switch (A33)														
Mounting form module for 034H.			S600			BFA6 - 042								
H-padlock device black, mounting form 034H1						6CH1-09								
Starting position of the handle 09h, H-handle black														
H-padlock device black, mounting form 034H4						6CH4-09								
Starting position of the handle 09h, H-handle red														
Legend plate silver, mounting form 034H1						FAS6 - (FA number)								
Legend plate yellow, mounting form 034H4						FBS6 - (FA number)								
Additional legend plate						FAZ2-8041								
Terminal cover						S606, S608 S612 TCA6 TCC6								
Dimensions (mm)														
						L with ... stages (max. 4) each add. stage								
Type	A1	A2	Cmin	Cmax	C1	C2	C3	D	D1	D2	E1/E2	1	2	stage
S606	98	142	48	60	83	125	89	84	18	5,5	68	58	80	22
S608	98	142	48	60	83	125	89	88	18	5,5	68	65	91	26
S612	98	142	48	60	83	125	89	88	18	5,5	68	71	103	32

Base Mounting Switches



Product line
S600

Base mounting switch

Door clutch with door interlock

Base mounting
68 x 68 mm base

M-operator module
88 x 88 mm escutcheon

042M1 (IP55)

Complete switch	Poles	Product lines	Rated data (IEC 60947)			Order code number
			Operational current I_e	Operational power at 380–440 V		
			AC-21A A	AC-23A kW	AC-3 kW	
Rotary Cam Switches	1 ... 24	S600	80	45	30	S606 - 61 ... - 042M1
Switching angle 30°/45°/60°/90°			100	55	37	S608 - 61 ... - 042M1
			160	75	45	S612 - 61 ... - 042M1

SMD modules for basic switch (A33)		S600	Order code number
Mounting form module for 042M1			
M-operator module 88 x 88 mm, mounting form 042M1			6AM1
Starting position of the handle 09h			
Escutcheon black, handle black			
M-operator module 88 x 88 mm, mounting form 042M1			6BM1
Starting position of the handle 12h			
Escutcheon black, handle black			
Legend plate silver, operator module 042M1			FAS6 - (FA number)

Dimensions (mm)											L with ... stages (max. 12)			each add. stage
Type	A	Cmin	Cmax	C1	D	D1	D2	E1	E2	1	2	3		
S606	88	48	60	52	84	18	5,5	68	68	58	80	107	22	
S608	88	48	60	52	88	18	5,5	68	68	65	91	117	26	
S612	88	48	60	52	88	18	5,5	68	68	71	103	135	32	

Base Mounting Switches

sälzer

Product line
S600

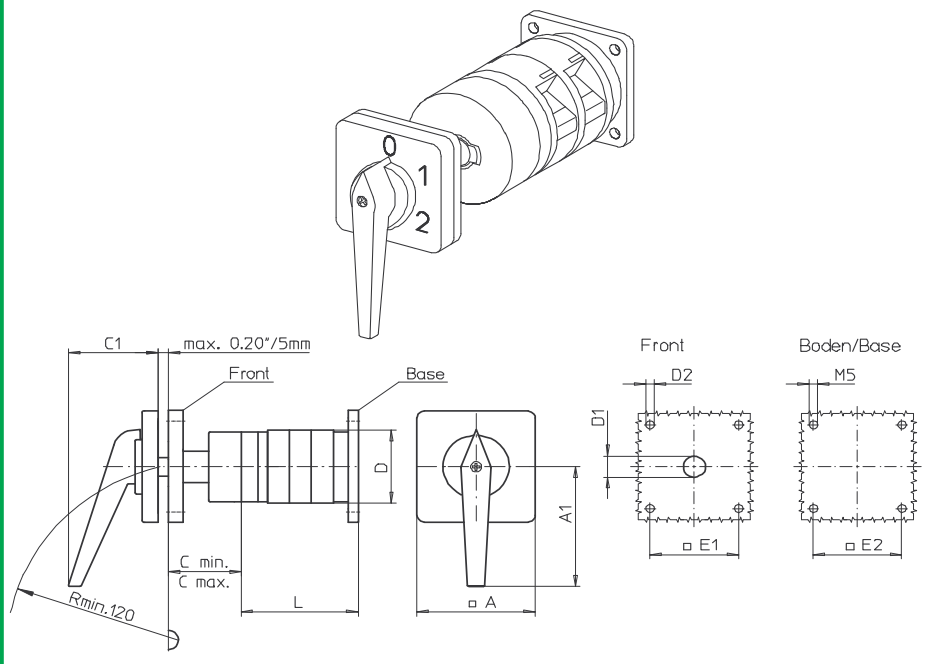
Base mounting switch

Door clutch with
door interlock

Base mounting
68 x 68 mm base

G-operator module
88 x 88 mm escutcheon

042G1 (IP55)



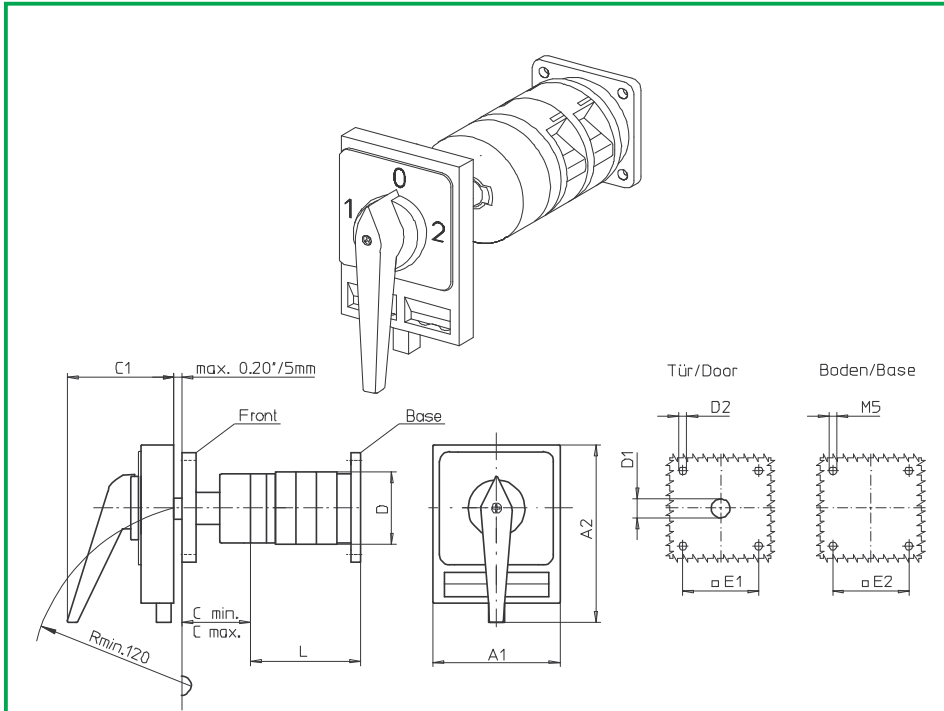
Complete switch	Poles	Product lines	Rated data (IEC 60947)			Order code number
			Operational current I_e	Operational power at 380–440 V		
			AC-21A A	AC-23A kW	AC-3 kW	
Rotary Cam Switches	1 ... 24	S600	80	45	30	S606 - 61 ... - 042G1
Switching angle 30°/45°/60°/90°			100	55	37	S608 - 61 ... - 042G1
			160	75	45	S612 - 61 ... - 042G1

SMD modules for basic switch (A33)		Product lines	Order code number
Mounting form module for 042G1			
G-operator module 88 x 88 mm, mounting form 042G1			6AG1
Starting position of the handle 09h			
Escutcheon black, handle black			
G-operator module 88 x 88 mm, mounting form 042G1			6BG1
Starting position of the handle 12h			
Escutcheon black, handle black			
Legend plate silver, operator module 042G1			FAS6 - (FA number)

Dimensions (mm)											L with ... stages (max. 12) each add. stage		
Type	A	A1	Cmin	Cmax	C1	D	D1	D2	E1	E2	1	2	3
S606	88	86	48	60	66	84	18	5,5	68	68	58	80	22
S608	88	86	48	60	66	88	18	5,5	68	68	65	91	26
S612	88	86	48	60	66	88	18	5,5	68	68	71	103	32

Base Mounting Switches

sälzer



**Product line
S600**

Base mounting switch

**Door clutch with
door interlock**

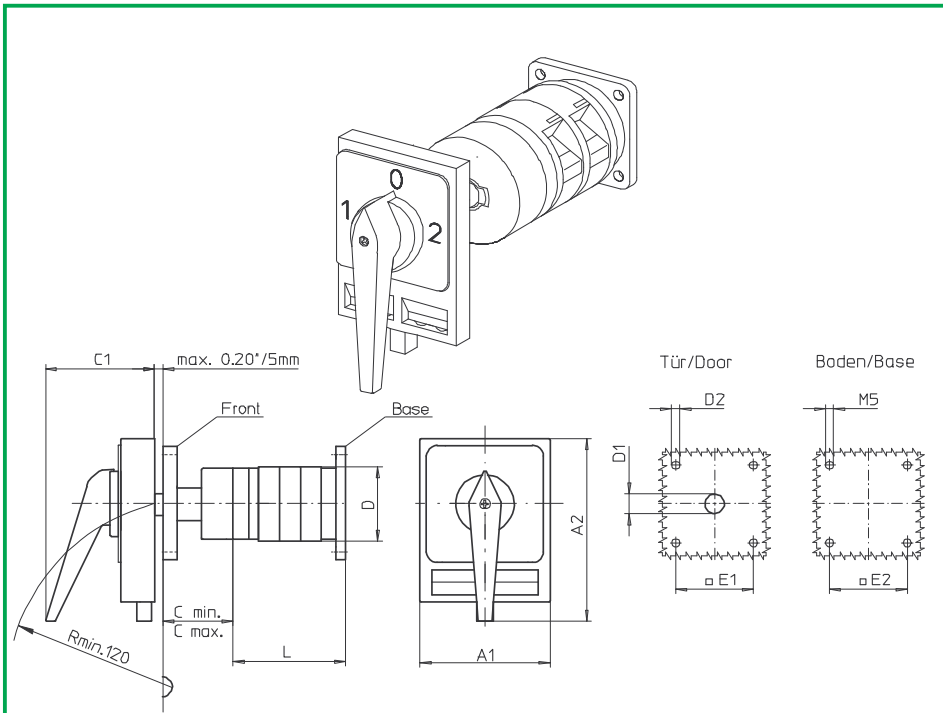
**Base mounting
68 x 68 mm base**

**H-padlock device
98 x 142 mm**

042H1 (IP55)

Complete switch	Poles	Product lines	Rated data (IEC 60947)			Order code number							
			Operational current I _e	Operational power at 380–440 V									
			AC-21A A	AC-23A kW	AC-3 kW								
Rotary Cam Switches Switching angle 90° padlockable 12h	1 ... 24	S600	80 100 160	45 55 75	30 37 45	S606 - 61 ... - 042H1 S608 - 61 ... - 042H1 S612 - 61 ... - 042H1							
SMD modules for basic switch (A33)													
Mounting form module for 042H1			S600			BFA6 - 042							
H-padlock device 98 x 142 mm, mounting form 042H1 Starting position of the handle 09h Escutcheon black, handle black						6CH1-12							
H-padlock device 98 x 142 mm, mounting form 042H1 Starting position of the handle 12h Escutcheon black, handle black						6EH1-12							
Legend plate silver, operator module 042H1						FAS6 - (FA number)							
Dimensions (mm)													
Type	A1	A2	Cmin	Cmax	C1	D	D1	D2	E1	E2	L with ... stages (max. 12) each add. stage		
S606	98	142	48	60	83	84	18	5,5	68	68	1	2	22
S608	98	142	48	60	83	88	18	5,5	68	68	58	65	26
S612	98	142	48	60	83	88	18	5,5	68	68	71	103	32

Base Mounting Switches



Product line
S600

Base mounting switch

Door clutch with
door interlock

Base mounting
68 x 68 mm base

H-padlock device
98 x 142 mm

043H1 (IP55)

Complete switch	Poles	Product lines	Rated data (IEC 60947)			Order code number							
			Operational current I_e	Operational power at 380–440 V									
			AC-21A A	AC-23A kW	AC-3 kW								
Rotary Cam Switches Switching angle 90° padlockable 09h/12h/03h/06h	1 ... 24	S600	80 100 160	45 55 75	30 37 45	S606 - 61 ... - 043H1 S608 - 61 ... - 043H1 S612 - 61 ... - 043H1							
SMD modules for basic switch (A33)													
Mounting form module for 043H1			S600			BFA6 - 042							
H-padlock device 98 x 142 mm, mounting form 043H1 Starting position of the handle 09h Escutcheon black, handle black						6CH1-99							
H-padlock device 98 x 142 mm, mounting form 043H1 Starting position of the handle 12h Escutcheon black, handle black						6EH1-99							
Legend plate silver, operator module 043H1						FAS6 - (FA number)							
Dimensions (mm)													
Type	A1	A2	Cmin	Cmax	C1	D	D1	D2	E1	E2	L with ... stages (max. 12) each add. stage		
S606	98	142	48	60	83	84	18	5,5	68	68	1	2	22
S608	98	142	48	60	83	88	18	5,5	68	68	58	80	26
S612	98	142	48	60	83	88	18	5,5	68	68	65	91	26
											71	103	32



Faster deliveries through SMD

In order to ensure even greater flexibility for worldwide supply availability within 24h, Sälzer Electric has introduced the SMD (Sälzer Modular Design) system.

SMD modules are individually prefabricated and tested all-in-one modules which SMD Service holds in stock in sufficient quantities. From basic switch modules, mounting form modules and operator modules, SMD Service can assemble a complete switch requested by the customer and pack it ready for delivery in just a few actions.

– **back** –