



Mounting Form Table

Section

Front Mounting Switches	A
Base Mounting Switches	B
Enclosed Switches	C
Accessories	D

Sälzer Electric GmbH
Matthiasstraße 16
57482 Wenden (Germany)
www.saelzer.com

Headquarters:
Tel. +49 (0) 27 62 / 6 14-110
Fax +49 (0) 27 62 / 6 14-100
sales@salzer.de

Originator: Sälzer Electric GmbH · Product Data Management (PDM) · 09306 Rochlitz (Germany)
Copyright reserved by Sälzer Electric GmbH. This document replaces all previous issues.
Valid until a new version is published. Changes and revisions reserved.

Mounting Form Table



Mtg. form	Pages	Mtg. form	Pages	Mtg. form	Pages	Mtg. form	Pages
002M1	B1-1 (74)	037N1	B2-21 (107)	132M4	A1-30 (34)	215V1	A3-6 (57)
003M1	A1-1 (5)	037N4	B2-21 (107)	132N1	A1-31 (35)	215V4	A3-6 (57)
003V1	A1-2 (6)	037V1	B2-22 (108)	132N4	A1-31 (35)	216M1	A3-4 (55)
004V1	A1-2 (6)	037V4	B2-22 (108)	133M1	A5-2 (64)	216M4	A3-4 (55)
005M1	A1-3 (7)	038M1	B3-20 (129)	133M4	A5-2 (64)	216N1	A3-5 (56)
005V1	A1-4 (8)	038M4	B3-20 (129)	133N1	A5-3 (65)	216N4	A3-5 (56)
012M1	B1-2 (75)	038N1	B3-21 (130)	133N4	A5-3 (65)	216V1	A3-8 (59)
013M1	A1-5 (9)	038N4	B3-21 (130)	133V1	A5-4 (66)	216V4	A3-8 (59)
013V1	A1-6 (10)	038V1	B3-22 (131)	133V4	A5-4 (66)	218M1	A2-10 (48)
014V1	A1-6 (10)	038V4	B3-22 (131)	135M1	B3-16 (125)	219M1	A2-1 (39)
015M1	A1-7 (11)	040V1	B2-4 (90)	135M4	B3-16 (125)	219V1	A2-2 (40)
015V1	A1-8 (12)	041M1	B2-3 (89)	139V1	A1 4 (8)	220V1	A2-2 (40)
021M1	B1-5 (78)	041V1	B2-4 (90)	140M1	A5-5 (67)	226V1	A2-9 (47)
022M1	B1-6 (79)	042M1	B3-3 (112)	141M1	A5-6 (68)	226V4	A2-9 (47)
024B3	A4-2 (62)	042V1	B2-4 (113)	142M1	A5-7 (69)	231M1	B2-15 (101)
025N3	A4-1 (61)	043V1	B2-4 (113)	143M1	A5-8 (70)	231M4	B2-15 (101)
026M1	B1-9 (82)	046V1	B2-8 (94)	144M1	A5-9 (71)	232M1	B2-9 (95)
026N2	B1-10 (83)	047M1	B2-7 (93)	145M1	A5-10 (72)	232M4	B2-9 (95)
026V1	B1-11 (84)	047V1	B2-8 (94)	150M1	A1-32 (36)	232N1	B2-10 (96)
026V4	B1-11 (84)	048M1	B3-7 (116)	151M1	A1-33 (37)	232N4	B2-10 (96)
027V1	B1-12 (85)	048V1	B3-8 (117)	152M1	A1-34 (38)	232V1	B2-11 (97)
028V1	B1-12 (85)	049V1	B3-8 (117)	155M1	B1-3 (76)	232V4	B2-11 (97)
031M1	B2-16 (102)	060M1	A1-9 (13)	156M1	B1-4 (77)	234M1	B3-9 (118)
031M4	B2-16 (102)	062M1	A1-10 (14)	157M1	B1-7 (80)	234M4	B3-9 (118)
032M1	B2-12 (98)	064M1	A1-11 (15)	158M1	B1-8 (81)	234N1	B3-10 (119)
032M4	B2-12 (98)	064V1	A1-12 (16)	176M1	C1-2 (135)	234N4	B3-10 (119)
032N1	B2-13 (99)	065M1	A1-13 (17)	176V1	C1-4 (137)	234V1	B3-11 (120)
032N4	B2-13 (99)	065V1	A1-14 (18)	177M1	C1-6 (139)	234V4	B3-11 (120)
032V1	B2-14 (100)	076M1	C1-1 (134)	177M4	C1-6 (139)	235M1	B3-15 (124)
032V4	B2-14 (100)	076V1	C1-3 (136)	177N1	C1-8 (141)	235M4	B3-15 (124)
033M1	A1-15 (19)	077M1	C1-5 (138)	177N4	C1-8 (141)	237M1	B2-17 (103)
033M4	A1-15 (19)	077M4	C1-5 (138)	177V1	C1-10 (143)	237M4	B2-17 (103)
033N1	A1-16 (20)	077N1	C1-7 (140)	177V4	C1-10 (143)	237N1	B2-18 (104)
033N4	A1-16 (20)	077N4	C1-7 (140)	178V1	C1-4 (137)	237N4	B2-18 (104)
033V1	A1-17 (21)	077V1	C1-9 (142)	203V1	A3-3 (54)	237V1	B2-19 (105)
033V4	A1-17 (21)	077V4	C1-9 (142)	204M1	A3-2 (53)	237V4	B2-19 (105)
034M1	B3-12 (121)	078V1	C1-3 (136)	204V1	A3-3 (54)	238M1	B3-17 (126)
034M4	B3-12 (121)	103M1	A1-22 (26)	205M1	A2-8 (46)	238M4	B3-17 (126)
034N1	B3-13 (122)	107M1	C1-11 (144)	205M4	A2-8 (46)	238N1	B3-18 (127)
034N4	B3-13 (122)	113M1	A1-23 (27)	206M1	A2-5 (43)	238N4	B3-18 (127)
034V1	B3-14 (123)	117M1	C1-12 (145)	206M4	A2-5 (43)	238V1	B3-19 (128)
034V4	B3-14 (123)	117M4	C1-12 (145)	206N1	A2-6 (44)	238V4	B3-19 (128)
035M1	A1-18 (22)	120M1	A1-24 (28)	206N4	A2-6 (44)	240V1	B2-2 (88)
035M4	A1-18 (22)	121M1	A1-25 (29)	206V1	A2-7 (45)	241M1	B2-1 (87)
036M1	A1-19 (23)	122M1	A1-26 (30)	206V4	A2-7 (45)	241V1	B2-2 (88)
036M4	A1-19 (23)	130M1	A1-27 (31)	208M1	A3-9 (60)	242M1	B3-1 (110)
036N1	A1-20 (24)	130M4	A1-27 (31)	209M1	A3-1 (52)	242V1	B3-2 (111)
036N4	A1-20 (24)	130N1	A1-28 (32)	213V1	A2-4 (42)	243V1	B3-2 (111)
036V1	A1-21 (25)	130N4	A1-28 (32)	214M1	A2-3 (41)	246V1	B2-6 (92)
036V4	A1-21 (25)	131M1	A1-29 (33)	214V1	A2-4 (42)	247M1	B2-5 (91)
037M1	B2-20 (106)	131M4	A1-29 (33)	215M1	A3-7 (58)	247V1	B2-6 (92)
037M4	B2-20 (106)	132M1	A1-30 (34)	215M4	A3-7 (58)	248M1	B3-5 (114)

Red color:
New mounting forms

Further information
page MFT-2

Mounting Form Table



Mtg. form	Pages	Mtg. form	Pages	Mtg. form	Pages	Mtg. form	Pages
248V1	B3-6 (115)	AVC2-. B3-23	(132)	FBS2-.... D2-2	(152)		
249V1	B3-6 (115)	AVC2-. D1-2	(150)	218098 D3-1	(153)		
503M1	A5-1 (63)	AVD2 B2-23	(109)				
E001.	C1-14 (147)	AVD2 D1-1	(149)				
K001.	C1-13 (146)	AVE2-. B3-23	(132)				
R001.	A2-12 (50)	AVE2-. D1-2	(150)				
S001.	A2-11 (49)	FAZ2-.... D2-1	(151)				
V001.	B1-13 (86)	FAS2-.... D2-2	(152)				

Red color:
New mounting forms



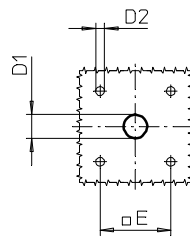
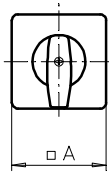
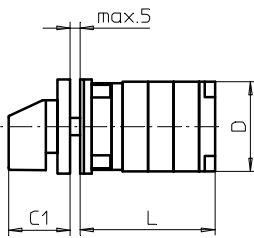
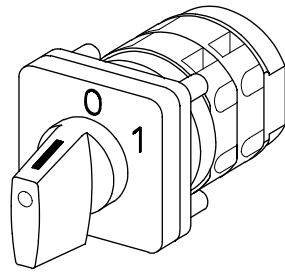
Section A

	Page	
	from	to
Four hole mounting	A1-1	A1-34
Single hole mounting \varnothing 22,5 mm	A2-1	A2-12
Single hole mounting \varnothing 30,5 mm	A3-1	A3-9
Wall mounting	A4-1	A4-2
Two hole mounting	A5-1	A5-10

Originator: Sälzer Electric GmbH · Product Data Management (PDM) · 09306 Rochlitz (Germany)
Copyright reserved by Sälzer Electric GmbH. This document replaces all previous issues.
Valid until a new version is published. Changes and revisions reserved.

Front Mounting Switches

sälzer



Product lines
M200 / T200

Front mounting switch

Four hole mounting
36 x 36 mm

003M1 (IP66)

Complete switch	Poles	Product line	Rated data (IEC 60947)			Order code number
			Operational current I _e	Operational power at 380–440 V		
			AC-21A A	AC-23A kW	AC-3 kW	
Rotary Cam Switches Switching angle 30°/45°/60°/90°	1 ... 24	M200	20	7,5	5,5	M220 - 61 ... - 003M1
			25	11	7,5	M225 - 61 ... - 003M1
	1 ... 24	T200	32	15	11	T225 - 61 ... - 003M1

SMD modules for basic switch

Mounting form module for 003M1

M200 / T200

BFB2 - 003

M-operator module 48 x 48 mm, mounting form 003M1

2AM1

Escutcheon black, handle black

Legend plate silver, operator module 003M1

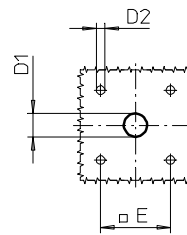
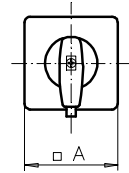
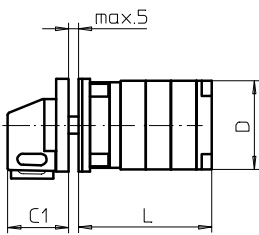
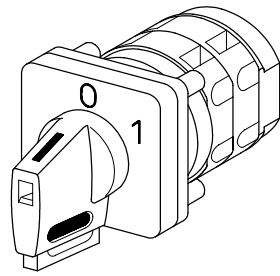
FAS2 - (FA number)

Dimensions (mm)

Product lines	A	C1	D	D1	D2	E	L with ... stages (max. 12)							each add. stage
							1	2	3	4	5	6	7	
M220	48	32	46	12	4,5	36	40	50	60	70	80	90	100	10
M221	48	32	46	12	4,5	36	43	56	69	82	95	108	121	13
M225	48	32	48	12	4,5	36	43	56	69	82	95	108	121	13
T225	48	32	50	12	4,5	36	45	60	75	90	105	120	135	15

Front Mounting Switches

sälzer



Product lines
M200 / T200

Front mounting switch

Four hole mounting
36 x 36 mm

003V1 (IP66)

004V1 (IP66)

Complete switch	Poles	Product line	Rated data (IEC 60947)			Order code number
			Operational current I _e	Operational power at 380–440 V		
			AC-21A A	AC-23A kW	AC-3 kW	
Rotary Cam Switches Switching angle 30°/45°/60°/90° Padlockable 12h	1 ... 24	M200	20	7,5	5,5	M220 - 61 ... - 003V1
			25	11	7,5	M225 - 61 ... - 003V1
	1 ... 24	T200	32	15	11	T225 - 61 ... - 003V1
Rotary Cam Switches Switching angle 90° 3 positions padlockable (09h/12h/03h)	1 ... 24	M200	20	7,5	5,5	M220 - 61 ... - 004V1
	1 ... 24	T200	25	11	7,5	M225 - 61 ... - 004V1
			32	15	11	T225 - 61 ... - 004V1

SMD modules for basic switch

Mounting form module for 003V1/ 004V1

M200 / T200

BFB2 - 003

V-operator module 48 x 48 mm, mounting form 003V1
Escutcheon black, handle black

2AV1 - 12

V-operator module 48 x 48 mm, mounting form 004V1
Escutcheon black, handle black

2AV1 - 99

Legend plate silver, operator module 003V1/ 004V1

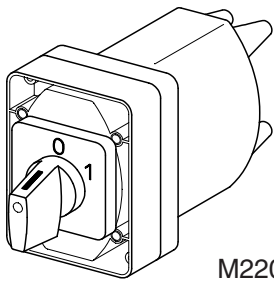
FAS2 - (FA number)

Dimensions (mm)

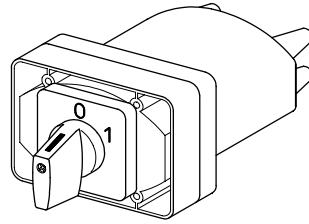
Product lines	A	C1	D	D1	D2	E	L with ... stages (max. 12)							each add. stage
							1	2	3	4	5	6	7	
M220	48	32	46	12	4,5	36	40	50	60	70	80	90	100	10
M221	48	32	46	12	4,5	36	43	56	69	82	95	108	121	13
M225	48	32	48	12	4,5	36	43	56	69	82	95	108	121	13
T225	48	32	50	12	4,5	36	45	60	75	90	105	120	135	15

Front Mounting Switches

sälzer

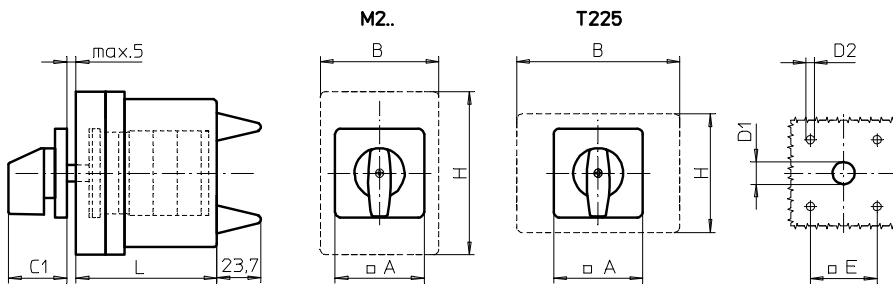


M220/ M225



T225

Schalter/Switch



Product lines
M200 / T200

Front mounting switch
With dust protection cover

Four hole mounting
36 x 36 mm

005M1 (IP66)

Complete switch	Poles	Product line	Rated data (IEC 60947)			Order code number
			Operational current I _e	Operational power at 380–440 V		
			AC-21A A	AC-23A kW	AC-3 kW	
Rotary Cam Switches Switching angle 30°/45°/60°/90°	1 ... 8	M200	20	7,5	5,5	M220 - 61 ... - 005M1
	1 ... 6		25	11	7,5	M225 - 61 ... - 005M1
	1 ... 4	T200	32	15	11	T225 - 61 ... - 005M1

SMD modules for basic switch

Mounting form module for 005M1

M200
T200

BFA2 - 005
BFB2 - 005

M-operator module 48 x 48 mm, mounting form 005M1
Escutcheon black, handle black

M200 / T200

2AM1

Legend plate silver, operator module 005M1

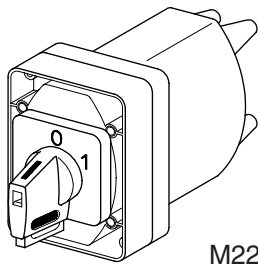
FAS2 - (FA number)

Dimensions (mm)

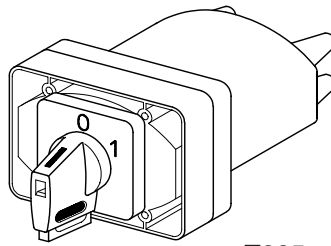
Product lines	A	B	C1	D1	D2	E	H	L with ... stages			
								1	2	3	4
M220	48	64	32	12	4,5	36	88	80	80	80	80
M221	48	64	32	12	4,5	36	88	80	80	80	-
M225	48	64	32	12	4,5	36	88	80	80	80	-
T225	48	88	32	12	4,5	36	64	80	80	-	-

Front Mounting Switches

sälzer

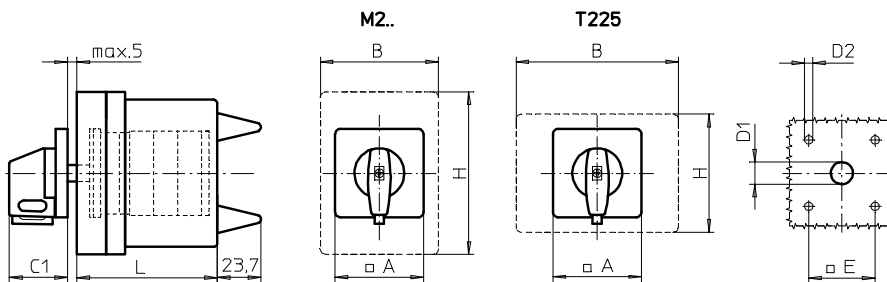


M220/ M225



T225

Schalter/Switch



Product lines
M200 / T200

Front mounting switch
With dust protection cover

Four hole mounting
36 x 36 mm

005V1 (IP66)

139V1 (IP66)

Complete switch	Poles	Product line	Rated data (IEC 60947)			Order code number
			Operational current I _e	Operational power at 380–440 V		
			AC-21A A	AC-23A kW	AC-3 kW	
Rotary Cam Switches Switching angle 30°/45°/60°/90° Padlockable 12h	1 ... 8	M200	20	7,5	5,5	M220 - 61 ... - 005V1
	1 ... 6		25	11	7,5	M225 - 61 ... - 005V1
	1 ... 4	T200	32	15	11	T225 - 61 ... - 005V1
Rotary Cam Switches Switching angle 90° 3 positions padlockable (09h/12h/03h)	1 ... 8	M200	20	7,5	5,5	M220 - 61 ... - 139V1
	1 ... 6		25	11	7,5	M225 - 61 ... - 139V1
	1 ... 4	T200	32	15	11	T225 - 61 ... - 139V1

SMD modules for basic switch

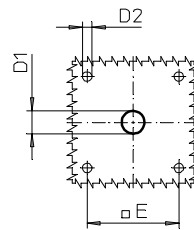
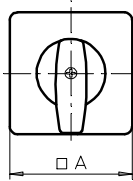
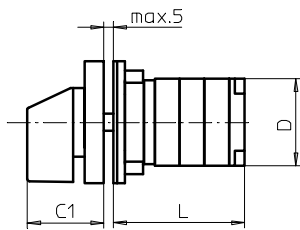
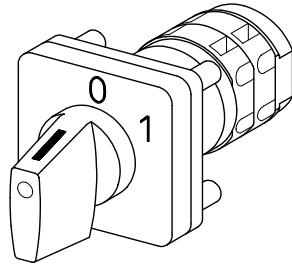
Mounting form module for 005V1/139V1	M200 T200	BFA2 - 005 BFB2 - 005
V-operator module 48 x 48 mm, mounting form 005V1 Escutcheon black, handle black	M200 / T200	2AV1 - 12
V-operator module 48 x 48 mm, mounting form 139V1 Escutcheon black, handle black		2AV1 - 99
Legend plate silver, operator module 005V1/139V1		FAS2 - (FA number)

Dimensions (mm)

Product lines	A	B	C1	D1	D2	E	H	L with ... stages			
								1	2	3	4
M220	48	64	32	12	4,5	36	88	80	80	80	80
M221	48	64	32	12	4,5	36	88	80	80	80	-
M225	48	64	32	12	4,5	36	88	80	80	80	-
T225	48	88	32	12	4,5	36	64	80	80	-	-

Front Mounting Switches

sälzer



**Product lines
M200 / T200**

Front mounting switch
Operator module of next size

Four hole mounting
48 x 48 mm

013M1 (IP66)

Complete switch	Poles	Product line	Rated data (IEC 60947)			Order code number
			Operational current I _e	Operational power at 380–440 V		
			AC-21A A	AC-23A kW	AC-3 kW	
Rotary Cam Switches Switching angle 30°/45°/60°/90°	1 ... 24	M200	20	7,5	5,5	M220 - 61 ... - 013M1
			25	11	7,5	M225 - 61 ... - 013M1
	1 ... 24	T200	32	15	11	T225 - 61 ... - 013M1

SMD modules for basic switch

Mounting form module for 013M1

M200 / T200

BFB2 - 013

M-operator module 64 x 64 mm, mounting form 013M1

4AM1

Escutcheon black, handle black

Legend plate silver, operator module 013M1

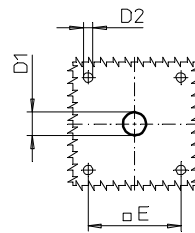
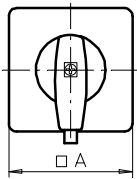
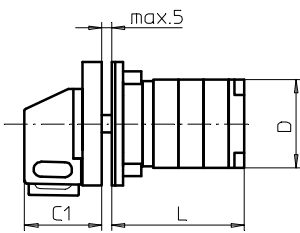
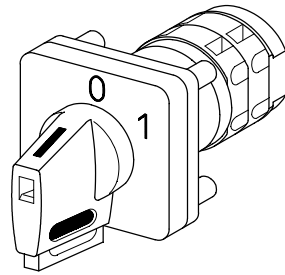
FAS4 - (FA number)

Dimensions (mm)

Product lines	A	C1	D	D1	D2	E	L with ... stages (max. 12)							each add. stage
							1	2	3	4	5	6	7	
M220	64	39	46	15	5	48	40	50	60	70	80	90	100	10
M221	64	39	46	15	5	48	43	56	69	82	95	108	121	13
M225	64	39	48	15	5	48	43	56	69	82	95	108	121	13
T225	64	39	50	15	5	48	45	60	75	90	105	120	135	15

Front Mounting Switches

sälzer



Product lines
M200 / T200

Front mounting switch
Operator module of next size

Four hole mounting
48 x 48 mm

013V1 (IP66)
014V1 (IP66)

Complete switch	Poles	Product line	Rated data (IEC 60947)			Order code number
			Operational current I _e	Operational power at 380–440 V		
			AC-21A A	AC-23A kW	AC-3 kW	
Rotary Cam Switches Switching angle 30°/45°/60°/90° Padlockable 12h	1 ... 24	M200	20	7,5	5,5	M220 - 61 ... - 013V1
			25	11	7,5	M225 - 61 ... - 013V1
	1 ... 24	T200	32	15	11	T225 - 61 ... - 013V1
Rotary Cam Switches Switching angle 90° 3 positions padlockable (09h/12h/03h)	1 ... 24	M200	20	7,5	5,5	M220 - 61 ... - 014V1
			25	11	7,5	M225 - 61 ... - 014V1
	1 ... 24	T200	32	15	11	T225 - 61 ... - 014V1

SMD modules for basic switch

Mounting form module for 013V1/014V1

M200 / T200

BFB2 - 013

V-operator module 64 x 64 mm, mounting form 013V1
Escutcheon black, handle black

4AV1 - 12

V-operator module 64 x 64 mm, mounting form 014V1
Escutcheon black, handle black

4AV1 - 99

Legend plate silver, operator module 013V1/ 014V1

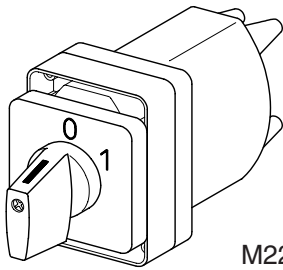
FAS4 - (FA number)

Dimensions (mm)

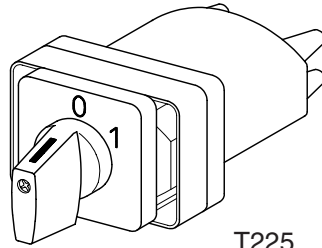
Product lines	A	C1	D	D1	D2	E	L with ... stages (max. 12)							each add. stage
							1	2	3	4	5	6	7	
M220	64	39	46	15	5	48	40	50	60	70	80	90	100	10
M221	64	39	46	15	5	48	43	56	69	82	95	108	121	13
M225	64	39	48	15	5	48	43	56	69	82	95	108	121	13
T225	64	39	50	15	5	48	45	60	75	90	105	120	135	15

Front Mounting Switches

sälzer

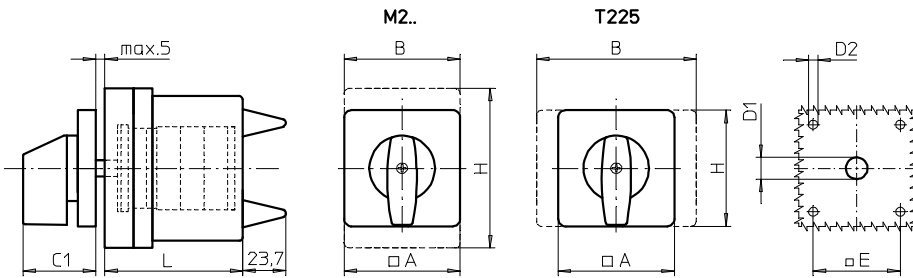


M220/ M225



T225

Schalter/Switch



Product lines
M200 / T200

Front mounting switch
With dust protection cover
Operator module of next size

Four hole mounting
48 x 48 mm

015M1 (IP66)

Complete switch	Poles	Product line	Rated data (IEC 60947)			Order code number
			Operational current I _e	Operational power at 380–440 V		
			AC-21A A	AC-23A kW	AC-3 kW	
Rotary Cam Switches Switching angle 30°/45°/60°/90°	1 ... 8	M200	20	7,5	5,5	M220 - 61 ... - 015M1
	1 ... 6		25	11	7,5	M225 - 61 ... - 015M1
	1 ... 4	T200	32	15	11	T225 - 61 ... - 015M1

SMD modules for basic switch

Mounting form module for 015M1

M200
T200

BFA2 - 015
BFB2 - 015

M-operator module 64 x 64 mm, mounting form 015M1
Escutcheon black, handle black

M200 / T200

4AM1

Legend plate silver, operator module 015M1

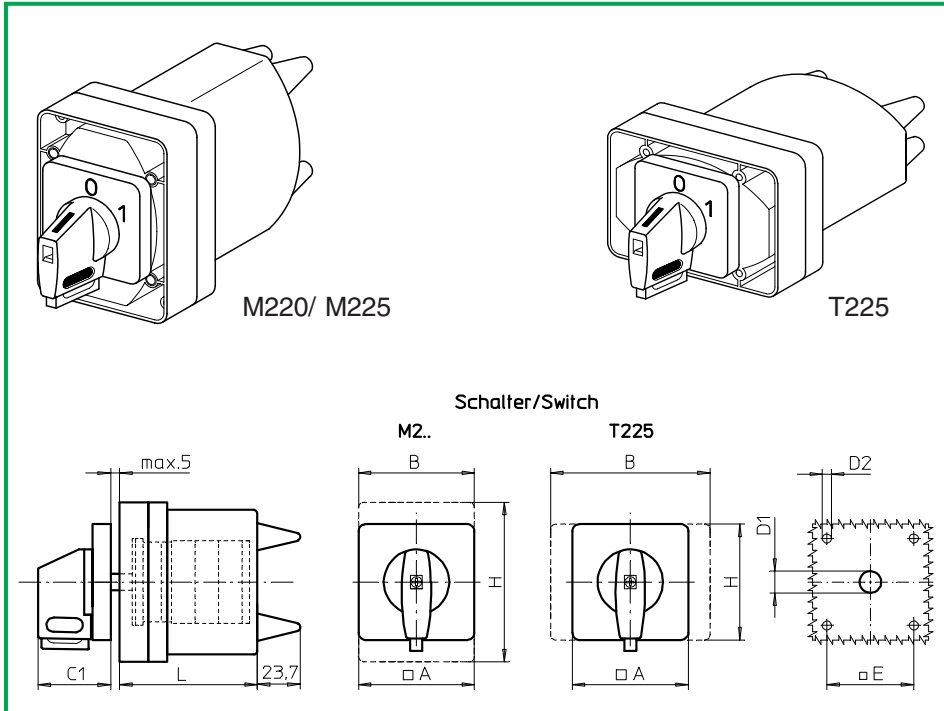
FAS4 - (FA number)

Dimensions (mm)

Product lines	A	B	C1	D1	D2	E	H	L with ... stages			
								1	2	3	4
M220	64	64	39	15	5	48	88	80	80	80	80
M221	64	64	39	15	5	48	88	80	80	80	-
M225	64	64	39	15	5	48	88	80	80	80	-
T225	64	88	39	15	5	48	64	80	80	-	-

Front Mounting Switches

sälzer



Product lines
M200 / T200

Front mounting switch
With dust protection cover
Operator module of next size

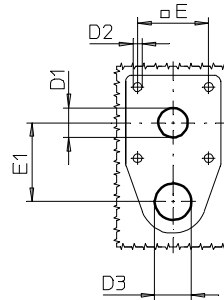
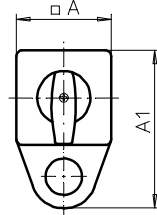
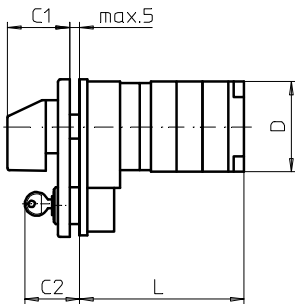
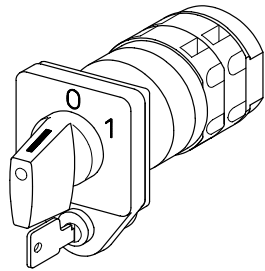
Four hole mounting
48 x 48 mm

015V1 (IP66)

Complete switch	Poles	Product line	Rated data (IEC 60947)			Order code number					
			Operational current I _e	Operational power at 380–440 V							
			AC-21A A	AC-23A kW	AC-3 kW						
Rotary Cam Switches	1 ... 8	M200	20	7,5	5,5	M220 - 61 ... - 015V1					
Switching angle 30°/45°/60°/90°	1 ... 6		25	11	7,5	M225 - 61 ... - 015V1					
Padlockable 12h	1 ... 4	T200	32	15	11	T225 - 61 ... - 015V1					
SMD modules for basic switch											
Mounting form module for 015V1			M200 T200			BFA2 - 015 BFB2 - 015					
V-operator module 64 x 64 mm, mounting form 015V1 Escutcheon black, handle black			M200 / T200			4AV1 - 12					
Legend plate silver, operator module 015V1						FAS4 - (FA number)					
Dimensions (mm)											
Product lines	A	B	C1	D1	D2	E	H	L with ... stages			
								1	2	3	4
M220	64	64	39	15	5	48	88	80	80	80	80
M221	64	64	39	15	5	48	88	80	80	80	-
M225	64	64	39	15	5	48	88	80	80	80	-
T225	64	88	39	15	5	48	64	80	80	-	-

Front Mounting Switches

sälzer



Product lines
M200 / T200

Front mounting switch
With cylinder lock device
Key number CL1

Four hole mounting
36 x 36 mm

060M1 (IP40)

Complete switch	Poles	Product line	Rated data (IEC 60947)			Order code number
			Operational current I _e	Operational power at 380–440 V		
			AC-21A A	AC-23A kW	AC-3 kW	
Rotary Cam Switches	1 ... 24	M200	20	7,5	5,5	M220 - 61 ... - 060M1
Switching angle 30°/45°/60°/90°			25	11	7,5	M225 - 61 ... - 060M1
Position "OFF" or start position locked	1 ... 24	T200	32	15	11	T225 - 61 ... - 060M1
Other locking arrangements available; please specify upon request						
2 keys, keylockable in selected position						
Further lock types and security lock on request.						

SMD modules for basic switch

Mounting form module for 060M1

M200 / T200

BFA2 - 060

M-operator module, mounting form 060M1

20M1

Escutcheon black, handle black

Legend plate silver, operator module 060M1

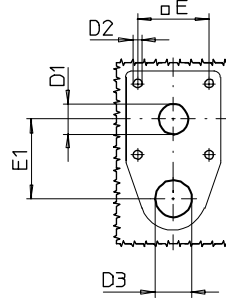
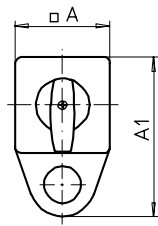
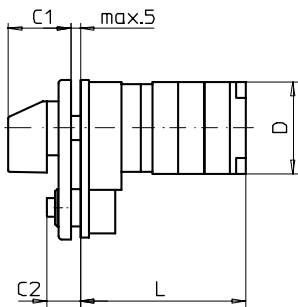
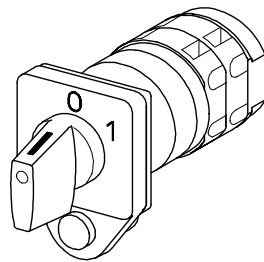
FAS2 - (FA number)

Dimensions (mm)

Product lines	A	A1	C1	C2	D	D1	D2	D3	E	E1	L with ... stages (max. 12)				each add. stage
											1	2	3	4	
M220	48	80	32	40	46	15	4,5	19	36	40	54	64	74	84	10
M221	48	80	32	40	46	15	4,5	19	36	40	57	70	83	96	13
M225	48	80	32	40	48	15	4,5	19	36	40	57	70	83	96	13
T225	48	80	32	40	50	15	4,5	19	36	40	59	74	89	104	15

Front Mounting Switches

sälzer



Product lines
M200 / T200

Front mounting switch
Push-button operated
Safety interlock

Four hole mounting
36 x 36 mm

062M1 (IP40)

Complete switch	Poles	Product line	Rated data (IEC 60947)			Order code number
			Operational current I _e	Operational power at 380–440 V		
			AC-21A A	AC-23A kW	AC-3 kW	
Rotary Cam Switches	1 ... 24	M200	20	7,5	5,5	M220 - 61 ... - 062M1
Switching angle 30°/45°/60°/90°			25	11	7,5	M225 - 61 ... - 062M1
Position "OFF" or start position locked	1 ... 24	T200	32	15	11	T225 - 61 ... - 062M1

Other locking arrangements available;
please specify upon request

dual action push button
safety interlock

SMD modules for basic switch

Mounting form module for 062M1

M200 / T200

BFA2 - 062

M-operator module, mounting form 062M1

20M1

Escutcheon black, handle black

Legend plate silver, operator module 062M1

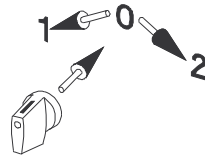
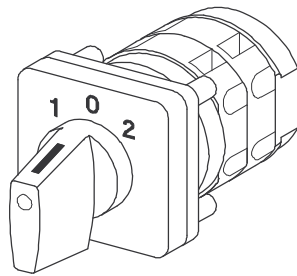
FAS2 - (FA number)

Dimensions (mm)

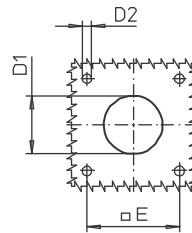
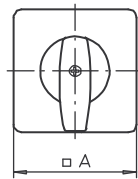
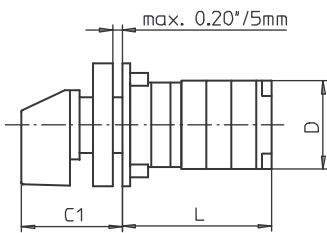
Product lines	A	A1	C1	C2	D	D1	D2	D3	E	E1	L with ... stages (max. 12)				each add. stage
											1	2	3	4	
M220	48	80	32	40	46	15	4,5	19	36	40	54	64	74	84	10
M221	48	80	32	40	46	15	4,5	19	36	40	57	70	83	96	13
M225	48	80	32	40	48	15	4,5	19	36	40	57	70	83	96	13
T225	48	80	32	40	50	15	4,5	19	36	40	59	74	89	104	15

Front Mounting Switches

sälzer



Push handle in starting position at 12h, then turn to position 1 or position 2 where required.



**Product lines
M200/T200**

Front mounting switch

**Four hole mounting
36 x 36 mm**

**Push-To-Turn
Adaptor ø 22,5 mm**

064M1 (IP40)

Complete switch	Poles	Product lines	Rated data (IEC 60947)			Order code number
			Operational current I _e	Operational power at 380–440 V		
			AC-21A A	AC-23A kW	AC-3 kW	
Rotary Cam Switches	1 ... 16	M200	20	7,5	5,5	M220 - 61 ... - 064M1
45° spring return to both directions, spring return to OFF	1 ... 16	T200	25	11	7,5	M225 - 61 ... - 064M1
Other switching angle or function for spring return and stay-put on request			32	15	11	T225 - 61 ... - 064M1

SMD modules for basic switch

Mounting form module for 064M1	M200/ T200	BFA2 - 064
M-operator module 48 x 48 mm, mounting form 064M1		2PM1 - 12
Escutcheon black, M-handle black		
Legend plate silver, operator module 064M1		FAV2 - (FA number)

Dimensions (mm)

Typ	A	C1	D	D1*	D2	E	L with ... stages (max. 8)							
							1	2	3	4	5	6	7	8
M220	48	45	46	22,5	4,5	36	49	59	69	79	89	99	109	119
M221	48	45	46	22,5	4,5	36	52	65	78	91	104	117	130	143
M225	48	45	48	22,5	4,5	36	52	65	78	91	104	117	130	143
T225	48	45	50	22,5	4,5	36	54	69	84	99	114	129	144	159

*) hole tool for single hole mounting Ø 22,5 mm can be used.

Front Mounting Switches

sälzer

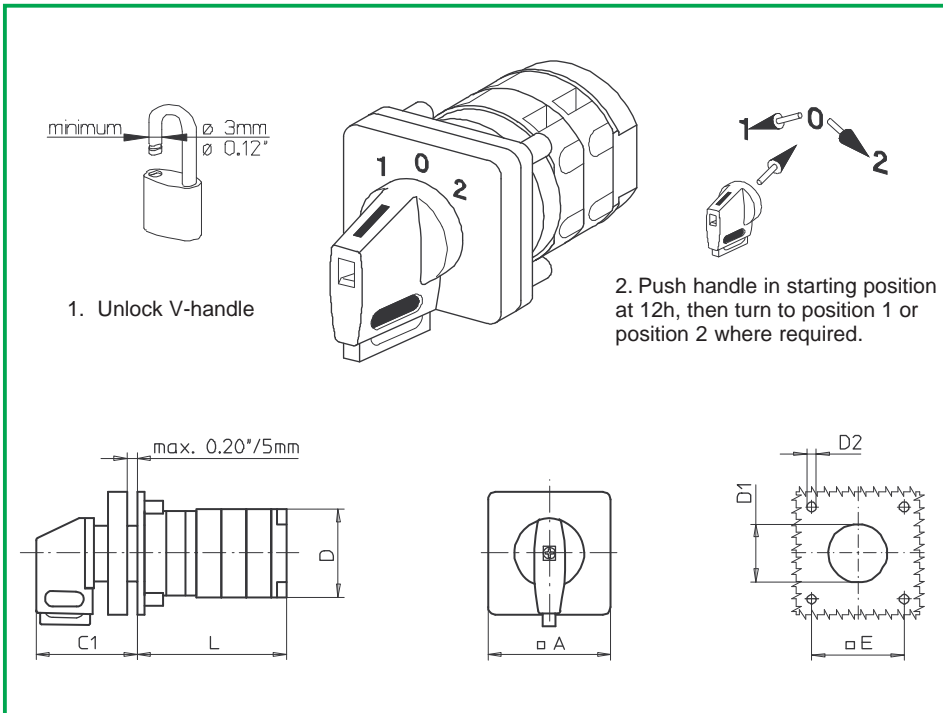
**Product lines
M200/T200**

Front mounting switch

**Four hole mounting
36 x 36 mm**

**Push-To-Turn
Adaptor \varnothing 22,5 mm**

064V1 (IP40)



Complete switch	Poles	Product lines	Rated data (IEC 60947)			Order code number
			Operational current I_e	Operational power at 380–440 V		
			AC-21A A	AC-23A kW	AC-3 kW	
Rotary Cam Switches OFF position padlockable 12h 45° spring return to both directions, spring return to OFF Other switching angle or function for spring return and stay-put on request	1 ... 16	M200	20	7,5	5,5	M220 - 61 ... - 064V1
			25	11	7,5	M225 - 61 ... - 064V1
	1 ... 16	T200	32	15	11	T225 - 61 ... - 064V1

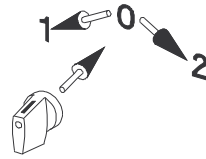
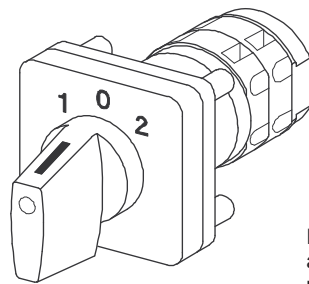
SMD modules for basic switch			
Mounting form module for 064V1		M200/ T200	BFA2 - 064
V-operator module 48 x 48 mm, mounting form 064V1			2PV1 - 12
Escutcheon black, V-handle black			
Legend plate silver, operator module 064V1			FAV2 - (FA number)

Dimensions (mm)														
Typ	A	C1	D	D1*	D2	E	L with ... stages (max. 8)							
							1	2	3	4	5	6	7	8
M220	48	45	46	22,5	4,5	36	49	59	69	79	89	99	109	119
M221	48	45	46	22,5	4,5	36	52	65	78	91	104	117	130	143
M225	48	45	48	22,5	4,5	36	52	65	78	91	104	117	130	143
T225	48	45	50	22,5	4,5	36	54	69	84	99	114	129	144	159

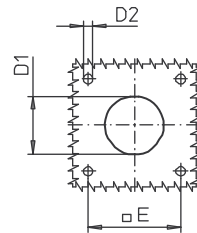
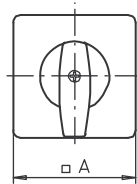
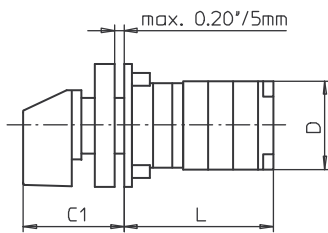
*) hole tool for single hole mounting \varnothing 22,5 mm can be used.

Front Mounting Switches

sälzer



Push handle in starting position at 12h, then turn to position 1 or position 2 where required.



Product lines
M200/T200

Front mounting switch
Operator module of next size

Four hole mounting
48 x 48 mm

Push-To-Turn
Adaptor \varnothing 30,5 mm

065M1 (IP40)

Complete switch	Poles	Product lines	Rated data (IEC 60947)			Order code number
			Operational current I_e	Operational power at 380–440 V		
			AC-21A A	AC-23A kW	AC-3 kW	
Rotary Cam Switches	1 ... 16	M200	20 25	7,5 11	5,5 7,5	M220 - 61 ... - 065M1 M225 - 61 ... - 065M1
45° spring return to both directions, spring return to OFF	1 ... 16	T200	32	15	11	T225 - 61 ... - 065M1
Other switching angle or function for spring return and stay-put on request						

SMD modules for basic switch

Mounting form module for 065M1	M200/ T200	BFA2 - 065
M-operator module 64 x 64 mm, mounting form 065M1		4PM1 - 12
Escutcheon black, M-handle black		
Legend plate silver, operator module 065M1		FAS4 - (FA number)

Dimensions (mm)

Typ	A	C1	D	D1*	D2	E	L with ... stages (max. 8)							
							1	2	3	4	5	6	7	8
M220	64	53	46	30,5	5	48	49	59	69	79	89	99	109	119
M221	64	53	46	30,5	5	48	52	65	78	91	104	117	130	143
M225	64	53	48	30,5	5	48	52	65	78	91	104	117	130	143
T225	64	53	50	30,5	5	48	54	69	84	99	114	129	144	159

*) hole tool for single hole mounting \varnothing 30,5 mm can be used.

Front Mounting Switches

sälzer

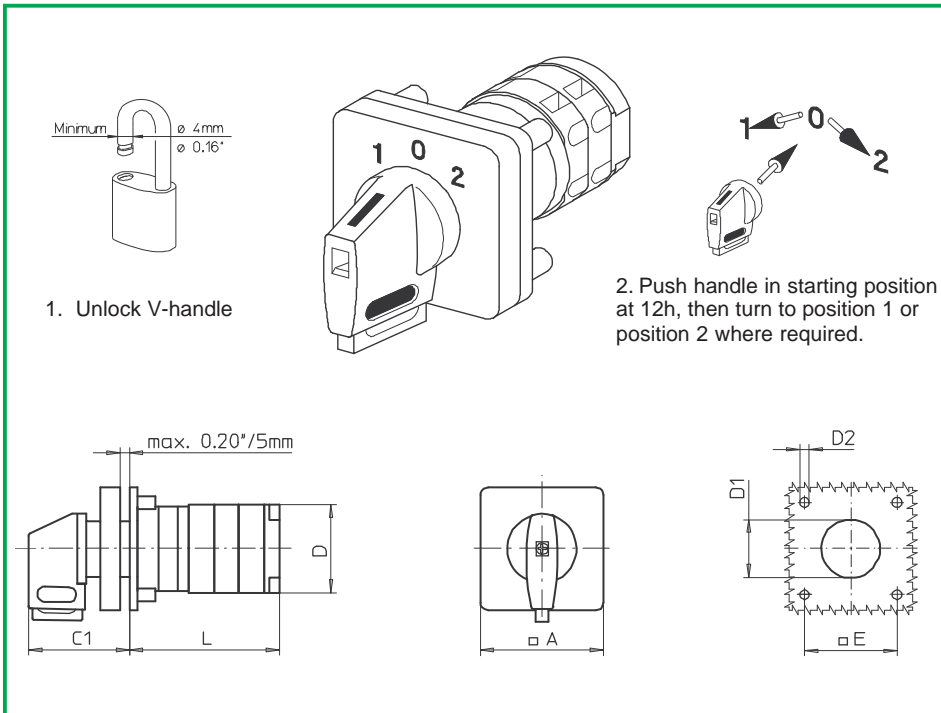
Product lines
M200/ T200

Front mounting switch
Operator module of next size

Four hole mounting
48 x 48 mm

Push-To-Turn
Adaptor \varnothing 30,5 mm

065V1 (IP40)



Complete switch	Poles	Product lines	Rated data (IEC 60947)			Order code number
			Operational current I_e	Operational power at 380–440 V		
			AC-21A A	AC-23A kW	AC-3 kW	
Rotary Cam Switches	1 ... 16	M200	20	7,5	5,5	M220 - 61 ... - 065V1
OFF position padlockable 12h			25	11	7,5	M225 - 61 ... - 065V1
45° spring return to both directions, spring return to OFF	1 ... 16	T200	32	15	11	T225 - 61 ... - 065V1
Other switching angle or function for spring return and stay-put on request						

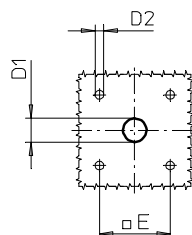
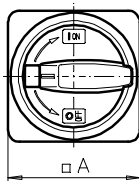
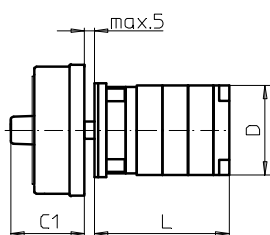
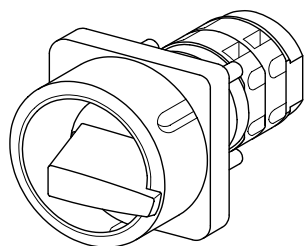
SMD modules for basic switch		
Mounting form module for 065V1	M200/ T200	BFA2 - 065
V-operator module 64 x 64 mm, mounting form 065V1		4PV1 - 12
Escutcheon black, V-handle black		
Legend plate silver, operator module 065V1		FAS4 - (FA number)

Dimensions (mm)														
Type	A	C1	D	D1*	D2	E	L with ... stages (max. 8)							
							1	2	3	4	5	6	7	8
M220	64	53	46	30,5	5	48	49	59	69	79	89	99	109	119
M221	64	53	46	30,5	5	48	52	65	78	91	104	117	130	143
M225	64	53	48	30,5	5	48	52	65	78	91	104	117	130	143
T225	64	53	50	30,5	5	48	54	69	84	99	114	129	144	159

*) hole tool for single hole mounting \varnothing 30,5 mm can be used.

Front Mounting Switches

sälzer



Product lines
M200 / T200

Front mounting switch

Four hole mounting
36 x 36 mm

033M1 (IP66)

033M4 (IP66)

Complete switch	Poles	Product line	Rated data (IEC 60947)			Order code number
			Operational current I _e	Operational power at 380–440 V		
			AC-21A A	AC-23A kW	AC-3 kW	
Main Switches	1 ... 24	M200	20	7,5	5,5	M220 - 61 ... - 033M1
Switching angle 90°			25	11	7,5	M225 - 61 ... - 033M1
OFF position padlockable 09h	1 ... 24	T200	32	15	11	T225 - 61 ... - 033M1
Main/Emergency-Off Switches	1 ... 24	M200	20	7,5	5,5	M220 - 61 ... - 033M4
Switching angle 90°			25	11	7,5	M225 - 61 ... - 033M4
OFF position padlockable 09h	1 ... 24	T200	32	15	11	T225 - 61 ... - 033M4

SMD modules for basic switch

Mounting form module for 033M.

M200 / T200

BFB2 - 033

M-padlock device 67 x 67 mm, mounting form 033M1
Escutcheon black, padlockable handle black

2CM1

M-padlock device 67 x 67 mm, mounting form 033M4
Escutcheon yellow, padlockable handle red

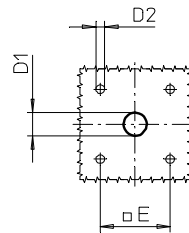
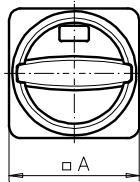
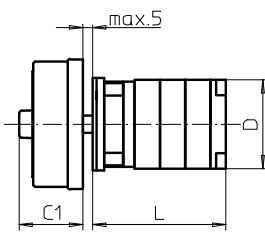
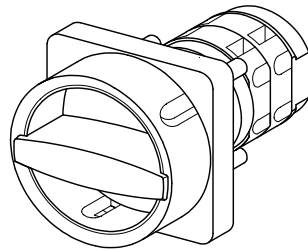
2CM4

Dimensions (mm)

Product lines	A	C1	D	D1	D2	E	L with ... stages (max. 12)							each add. stage
							1	2	3	4	5	6	7	
M220	67	38	46	15	4,5	36	40	50	60	70	80	90	100	10
M221	67	38	46	15	4,5	36	43	56	69	82	95	108	121	13
M225	67	38	48	15	4,5	36	43	56	69	82	95	108	121	13
T225	67	38	50	15	4,5	36	45	60	75	90	105	120	135	15

Front Mounting Switches

sälzer



Product lines
M200 / T200

Front mounting switch

Four hole mounting
36 x 36 mm

033N1 (IP66)
033N4 (IP66)

Complete switch	Poles	Product line	Rated data (IEC 60947)			Order code number
			Operational current I _e	Operational power at 380–440 V		
			AC-21A A	AC-23A kW	AC-3 kW	
Main Switches	1 ... 24	M200	20	7,5	5,5	M220 - 61 ... - 033N1
Switching angle 90°			25	11	7,5	M225 - 61 ... - 033N1
OFF position padlockable 12h	1 ... 24	T200	32	15	11	T225 - 61 ... - 033N1
Main/Emergency-Off Switches	1 ... 24	M200	20	7,5	5,5	M220 - 61 ... - 033N4
Switching angle 90°			25	11	7,5	M225 - 61 ... - 033N4
OFF position padlockable 12h	1 ... 24	T200	32	15	11	T225 - 61 ... - 033N4

SMD modules for basic switch

Mounting form module for 033N.

M200 / T200

BFB2 - 033

N-padlock device 67 x 67 mm, mounting form 033N1
Escutcheon black, padlockable handle black

2CN1

N-padlock device 67 x 67 mm, mounting form 033N4
Escutcheon yellow, padlockable handle red

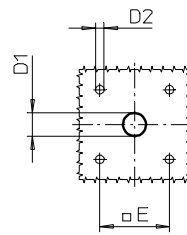
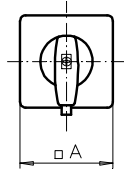
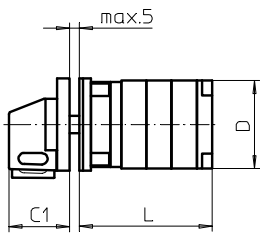
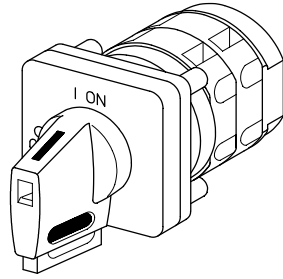
2CN4

Dimensions (mm)

Product lines	A	C1	D	D1	D2	E	L with ... stages (max. 12)							each add. stage
							1	2	3	4	5	6	7	
M220	67	33	46	15	4,5	36	40	50	60	70	80	90	100	10
M221	67	33	46	15	4,5	36	43	56	69	82	95	108	121	13
M225	67	33	48	15	4,5	36	43	56	69	82	95	108	121	13
T225	67	33	50	15	4,5	36	45	60	75	90	105	120	135	15

Front Mounting Switches

sälzer



Product lines
M200 / T200

Front mounting switch

Four hole mounting
36 x 36 mm

033V1 (IP66)

033V4 (IP66)

Complete switch	Poles	Product line	Rated data (IEC 60947)			Order code number
			Operational current I _e	Operational power at 380–440 V		
			AC-21A A	AC-23A kW	AC-3 kW	
Main Switches	1 ... 24	M200	20	7,5	5,5	M220 - 61 ... - 033V1
Switching angle 90°			25	11	7,5	M225 - 61 ... - 033V1
OFF position padlockable 09h	1 ... 24	T200	32	15	11	T225 - 61 ... - 033V1
Main/Emergency-Off Switches	1 ... 24	M200	20	7,5	5,5	M220 - 61 ... - 033V4
Switching angle 90°			25	11	7,5	M225 - 61 ... - 033V4
OFF position padlockable 09h	1 ... 24	T200	32	15	11	T225 - 61 ... - 033V4

SMD modules for basic switch

Mounting form module for 033V.

M200 / T200

BFB2 - 003

V-operator module 48 x 48 mm, mounting form 033V1
Escutcheon black, handle black

2AV1 - 09

Legend plate silver, operator module 033V1

FAS2 - 9078

V-operator module 48 x 48 mm, mounting form 033V4
Escutcheon black, handle red

2AV4 - 09

Legend plate yellow, operator module 033V4

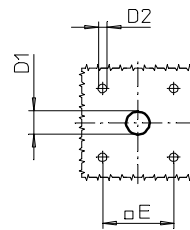
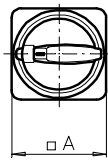
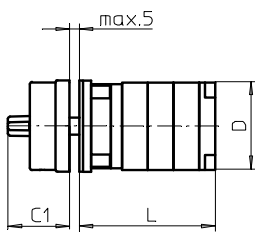
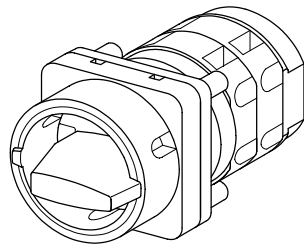
FBS2 - 9078

Dimensions (mm)

Product lines	A	C1	D	D1	D2	E	L with ... stages (max. 12)							each add. stage
							1	2	3	4	5	6	7	
M220	48	32	46	12	4,5	36	40	50	60	70	80	90	100	10
M221	48	32	46	12	4,5	36	43	56	69	82	95	108	121	13
M225	48	32	48	12	4,5	36	43	56	69	82	95	108	121	13
T225	48	32	50	12	4,5	36	45	60	75	90	105	120	135	15

Front Mounting Switches

sälzer



Product lines
M200 / T200

Front mounting switch

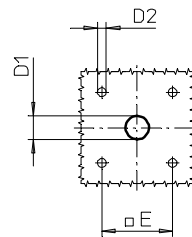
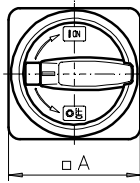
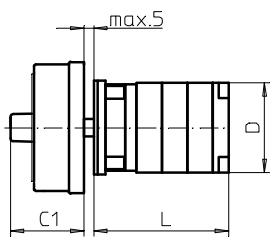
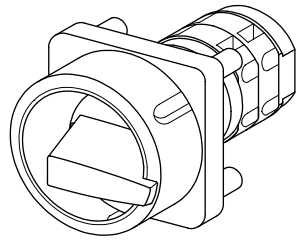
Four hole mounting
36 x 36 mm

035M1 (IP66)
035M4 (IP66)

Complete switch	Poles	Product line	Rated data (IEC 60947)			Order code number								
			Operational current I _e	Operational power at 380–440 V										
			AC-21A A	AC-23A kW	AC-3 kW									
Main Switches	1 ... 24	M200	20	7,5	5,5	M220 - 61 ... - 035M1								
Switching angle 90°			25	11	7,5	M225 - 61 ... - 035M1								
OFF position padlockable 09h	1 ... 24	T200	32	15	11	T225 - 61 ... - 035M1								
Main/Emergency-Off Switches	1 ... 24	M200	20	7,5	5,5	M220 - 61 ... - 035M4								
Switching angle 90°			25	11	7,5	M225 - 61 ... - 035M4								
OFF position padlockable 09h	1 ... 24	T200	32	15	11	T225 - 61 ... - 035M4								
SMD modules for basic switch														
Mounting form module for 035M.			M200 / T200			BFB2 - 003								
M-padlock device 48 x 48 mm, mounting form 035M1 Escutcheon black, padlockable handle black						2BM1								
M-padlock device 48 x 48 mm, mounting form 035M4 Escutcheon yellow, padlockable handle red						2BM4								
Dimensions (mm)														
Product lines	A	C1	D	D1	D2	E	L with ... stages (max. 12)							each add. stage
							1	2	3	4	5	6	7	
M220	48	31	46	12	4,5	36	40	50	60	70	80	90	100	10
M221	48	31	46	12	4,5	36	43	56	69	82	95	108	121	13
M225	48	31	48	12	4,5	36	43	56	69	82	95	108	121	13
T225	48	31	50	12	4,5	36	45	60	75	90	105	120	135	15

Front Mounting Switches

sälzer



Product lines
M200 / T200

Front mounting switch
Operator module of next size

Four hole mounting
48 x 48 mm

036M1 (IP66)
036M4 (IP66)

Complete switch	Poles	Product line	Rated data (IEC 60947)			Order code number
			Operational current I _e	Operational power at 380–440 V		
			AC-21A A	AC-23A kW	AC-3 kW	
Main Switches	1 ... 24	M200	20	7,5	5,5	M220 - 61 ... - 036M1
Switching angle 90°			25	11	7,5	M225 - 61 ... - 036M1
OFF position padlockable 09h	1 ... 24	T200	32	15	11	T225 - 61 ... - 036M1
Main/Emergency-Off Switches	1 ... 24	M200	20	7,5	5,5	M220 - 61 ... - 036M4
Switching angle 90°			25	11	7,5	M225 - 61 ... - 036M4
OFF position padlockable 09h	1 ... 24	T200	32	15	11	T225 - 61 ... - 036M4

SMD modules for basic switch

Mounting form module for 036M.

M200 / T200

BFB2 - 036

M-padlock device 67 x 67 mm, mounting form 036M1
Escutcheon black, padlockable handle black

4BM1

M-padlock device 67 x 67 mm, mounting form 036M4
Escutcheon yellow, padlockable handle red

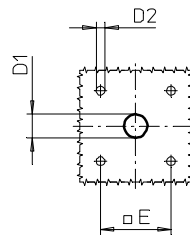
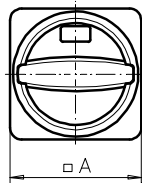
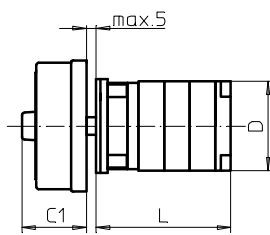
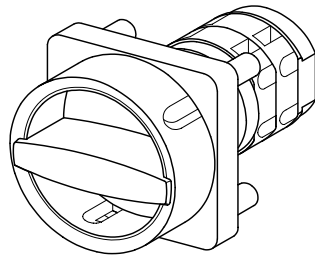
4BM4

Dimensions (mm)

Product lines	A	C1	D	D1	D2	E	L with ... stages (max. 12)							each add. stage
							1	2	3	4	5	6	7	
M220	67	38	46	15	5	48	40	50	60	70	80	90	100	10
M221	67	38	46	15	5	48	43	56	69	82	95	108	121	13
M225	67	38	48	15	5	48	43	56	69	82	95	108	121	13
T225	67	38	50	15	5	48	45	60	75	90	105	120	135	15

Front Mounting Switches

sälzer



Product lines
M200 / T200

Front mounting switch
Operator module of next size

Four hole mounting
48 x 48 mm

036N1 (IP66)

036N4 (IP66)

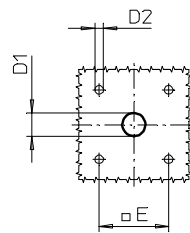
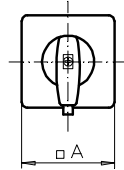
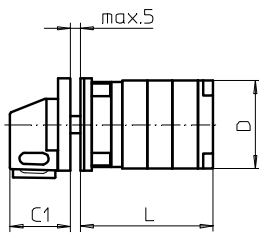
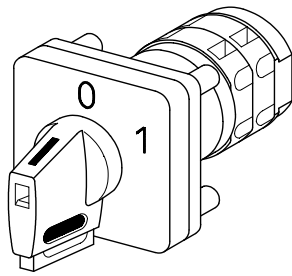
Complete switch	Poles	Product line	Rated data (IEC 60947)			Order code number
			Operational current I _e	Operational power at 380–440 V		
			AC-21A A	AC-23A kW	AC-3 kW	
Main Switches	1 ... 24	M200	20	7,5	5,5	M220 - 61 ... - 036N1
Switching angle 90°			25	11	7,5	M225 - 61 ... - 036N1
OFF position padlockable 12h	1 ... 24	T200	32	15	11	T225 - 61 ... - 036N1
Main/Emergency-Off Switches	1 ... 24	M200	20	7,5	5,5	M220 - 61 ... - 036N4
Switching angle 90°			25	11	7,5	M225 - 61 ... - 036N4
OFF position padlockable 12h	1 ... 24	T200	32	15	11	T225 - 61 ... - 036N4

SMD modules for basic switch			
Mounting form module for 036N.		M200 / T200	BFB2 - 036
N-padlock device 67 x 67 mm, mounting form 036N1			4BN1
Escutcheon black, padlockable handle black			
N-padlock device 67 x 67 mm, mounting form 036N4			4BN4
Escutcheon yellow, padlockable handle red			

Dimensions (mm)														
Product lines	A	C1	D	D1	D2	E	L with ... stages (max. 12)							each add. stage
							1	2	3	4	5	6	7	
M220	67	33	46	15	5	48	40	50	60	70	80	90	100	10
M221	67	33	46	15	5	48	43	56	69	82	95	108	121	13
M225	67	33	48	15	5	48	43	56	69	82	95	108	121	13
T225	67	33	50	15	5	48	45	60	75	90	105	120	135	15

Front Mounting Switches

sälzer



Product lines
M200 / T200

Front mounting switch
Operator module of next size

Four hole mounting
48 x 48 mm

036V1 (IP66)

036V4 (IP66)

Complete switch	Poles	Product line	Rated data (IEC 60947)			Order code number
			Operational current I _e	Operational power at 380–440 V		
			AC-21A A	AC-23A kW	AC-3 kW	
Main Switches	1 ... 24	M200	20	7,5	5,5	M220 - 61 ... - 036V1
Switching angle 90°			25	11	7,5	M225 - 61 ... - 036V1
OFF position padlockable 09h	1 ... 24	T200	32	15	11	T225 - 61 ... - 036V1
Main/Emergency-Off Switches	1 ... 24	M200	20	7,5	5,5	M220 - 61 ... - 036V4
Switching angle 90°			25	11	7,5	M225 - 61 ... - 036V4
OFF position padlockable 09h	1 ... 24	T200	32	15	11	T225 - 61 ... - 036V4

SMD modules for basic switch

Mounting form module for 036V.

M200 / T200

BFB2 - 013

V-operator module 64 x 64 mm, mounting form 036V1

4AV1 - 09

Escutcheon black, handle black

Legend plate silver, operator module 036V1

FAS4 - 9078

V-operator module 64 x 64 mm, mounting form 036V4

4AV4 - 09

Escutcheon black, handle red

Legend plate yellow, operator module 036V4

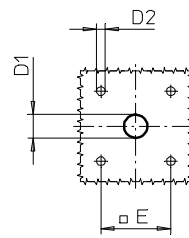
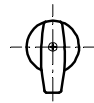
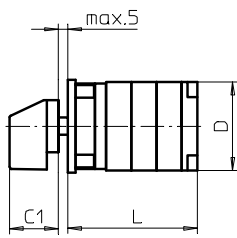
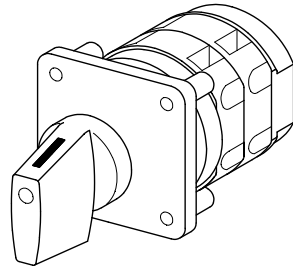
FBS4 - 9078

Dimensions (mm)

Product lines	A	C1	D	D1	D2	E	L with ... stages (max. 12)							each add. stage
							1	2	3	4	5	6	7	
M220	64	39	46	15	5	48	40	50	60	70	80	90	100	10
M221	64	39	46	15	5	48	43	56	69	82	95	108	121	13
M225	64	39	48	15	5	48	43	56	69	82	95	108	121	13
T225	64	39	50	15	5	48	45	60	75	90	105	120	135	15

Front Mounting Switches

sälzer



Product lines
M200 / T200

Front mounting switch
Without escutcheon

Four hole mounting
36 x 36 mm

103M1 (IP66)

Complete switch	Poles	Product line	Rated data (IEC 60947)			Order code number
			Operational current I _e	Operational power at 380–440 V		
			AC-21A A	AC-23A kW	AC-3 kW	
Rotary Cam Switches Switching angle 30°/45°/60°/90°	1 ... 24	M200	20	7,5	5,5	M220 - 61 ... - 103M1
			25	11	7,5	M225 - 61 ... - 103M1
	1 ... 24	T200	32	15	11	T225 - 61 ... - 103M1

SMD modules for basic switch

Mounting form module for 103M1
(Shaft shortened by 5 mm)

M200 / T200

BFB2 - 103

M-handle black, mounting form 103M1
(Without escutcheon/without legend plate)

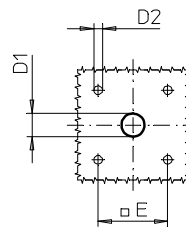
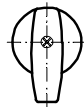
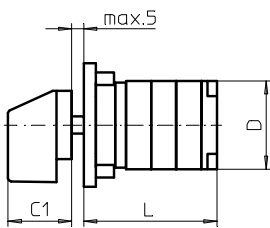
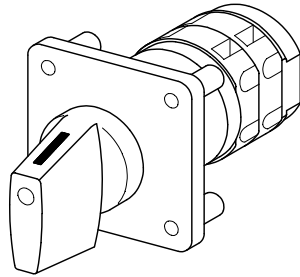
2XM1

Dimensions (mm)

Product lines	C1	D	D1	D2	E	L with ... stages (max. 12)							each add. stage
						1	2	3	4	5	6	7	
M220	25	46	12	4,5	36	40	50	60	70	80	90	100	10
M221	25	46	12	4,5	36	43	56	69	82	95	108	121	13
M225	25	48	12	4,5	36	43	56	69	82	95	108	121	13
T225	25	50	12	4,5	36	45	60	75	90	105	120	135	15

Front Mounting Switches

sälzer



Product lines
M200 / T200

Front mounting switch
Operator module of next size
Without escutcheon

Four hole mounting
48 x 48 mm

113M1 (IP66)

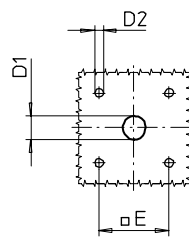
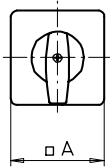
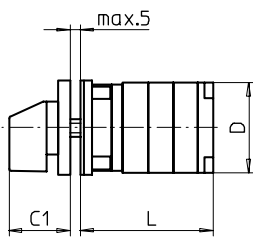
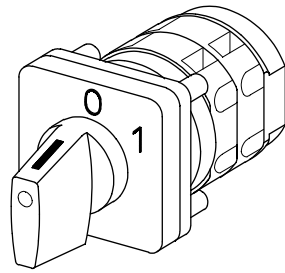
Complete switch	Poles	Product line	Rated data (IEC 60947)			Order code number
			Operational current I _e	Operational power at 380–440 V		
			AC-21A A	AC-23A kW	AC-3 kW	
Rotary Cam Switches Switching angle 30°/45°/60°/90°	1 ... 24	M200	20	7,5	5,5	M220 - 61 ... - 113M1
			25	11	7,5	M225 - 61 ... - 113M1
	1 ... 24	T200	32	15	11	T225 - 61 ... - 113M1

SMD modules for basic switch			
Mounting form module for 113M1 (Shaft shortened by 5 mm)		M200 / T200	BFB2 - 036
M-handle black, mounting form 113M1 (Without escutcheon/without legend plate)			4XM1

Dimensions (mm)													
Product lines	C1	D	D1	D2	E	L with ... stages (max. 12)							each add. stage
						1	2	3	4	5	6	7	
M220	30	46	15	5	48	40	50	60	70	80	90	100	10
M221	30	46	15	5	48	43	56	69	82	95	108	121	13
M225	30	48	15	5	48	43	56	69	82	95	108	121	13
T225	30	50	15	5	48	45	60	75	90	105	120	135	15

Front Mounting Switches

sälzer



Product lines
M200 / T200

Front mounting switch

Four hole mounting
36 x 36 mm

Hexagon steel shaft
Front mounting panel door
thickness up to 5 mm max.

120M1 (IP66)

Complete switch	Poles	Product line	Rated data (IEC 60947)			Order code number
			Operational current I _e	Operational power at 380–440 V		
			AC-21A A	AC-23A kW	AC-3 kW	
Rotary Cam Switches Switching angle 30°/45°/60°/90°	1 ... 24	M200	20	7,5	5,5	M220 - 61 ... - 120M1
			25	11	7,5	M225 - 61 ... - 120M1
	1 ... 24	T200	32	15	11	T225 - 61 ... - 120M1

SMD modules for basic switch

Mounting form module for 120M1

M200 / T200

BFB2 - 120

M-operator module 48 x 48 mm, mounting form 120M1

2PM1

Escutcheon black, handle black

Legend plate silver, operator module 120M1

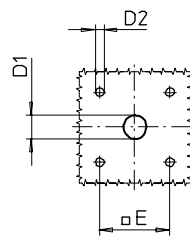
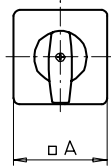
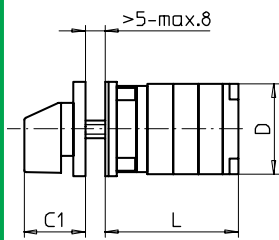
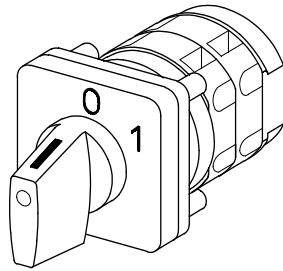
FAS2 - (FA number)

Dimensions (mm)

Product lines	A	C1	D	D1	D2	E	L with ... stages (max. 12)							each add. stage
							1	2	3	4	5	6	7	
M220	48	32	46	12	4,5	36	40	50	60	70	80	90	100	10
M221	48	32	46	12	4,5	36	43	56	69	82	95	108	121	13
M225	48	32	48	12	4,5	36	43	56	69	82	95	108	121	13
T225	48	32	50	12	4,5	36	45	60	75	90	105	120	135	15

Front Mounting Switches

sälzer



Product lines
M200 / T200

Front mounting switch

Four hole mounting
36 x 36 mm

Hexagon steel shaft
Front mounting panel
door thickness up to
5 to 8 mm max.

121M1 (IP66)

Complete switch	Poles	Product line	Rated data (IEC 60947)			Order code number
			Operational current I _e	Operational power at 380–440 V		
			AC-21A A	AC-23A kW	AC-3 kW	
Rotary Cam Switches Switching angle 30°/45°/60°/90°	1 ... 24	M200	20	7,5	5,5	M220 - 61 ... - 121M1
			25	11	7,5	M225 - 61 ... - 121M1
	1 ... 24	T200	32	15	11	T225 - 61 ... - 121M1

SMD modules for basic switch

Mounting form module for 121M1

M200 / T200

BFB2 - 121

M-operator module 48 x 48 mm, mounting form 121M1

2SM1

Escutcheon black, handle black

Legend plate silver, operator module 121M1

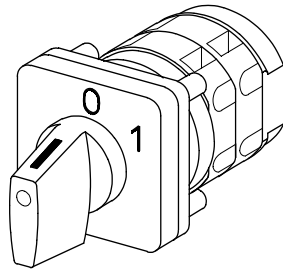
FAS2 - (FA number)

Dimensions (mm)

Product lines	A	C1	D	D1	D2	E	L with ... stages (max. 12)							each add. stage
							1	2	3	4	5	6	7	
M220	48	32	46	12	4,5	36	40	50	60	70	80	90	100	10
M221	48	32	46	12	4,5	36	43	56	69	82	95	108	121	13
M225	48	32	48	12	4,5	36	43	56	69	82	95	108	121	13
T225	48	32	50	12	4,5	36	45	60	75	90	105	120	135	15

Front Mounting Switches

sälzer



Product lines
M200 / T200

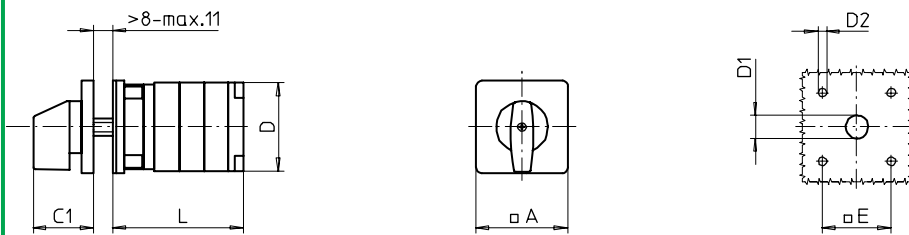
Front mounting switch

Four hole mounting
36 x 36 mm

Hexagon steel shaft

Front mounting panel
door thickness up to
8 to 11 mm max.

122M1 (IP66)



Complete switch	Poles	Product line	Rated data (IEC 60947)			Order code number
			Operational current I _e	Operational power at 380–440 V		
			AC-21A A	AC-23A kW	AC-3 kW	
Rotary Cam Switches Switching angle 30°/45°/60°/90°	1 ... 24	M200	20	7,5	5,5	M220 - 61 ... - 122M1
			25	11	7,5	M225 - 61 ... - 122M1
	1 ... 24	T200	32	15	11	T225 - 61 ... - 122M1

SMD modules for basic switch

Mounting form module for 122M1

M200 / T200

BFB2 - 122

M-operator module 48 x 48 mm, mounting form 122M1

2TM1

Escutcheon black, handle black

Legend plate silver, operator module 122M1

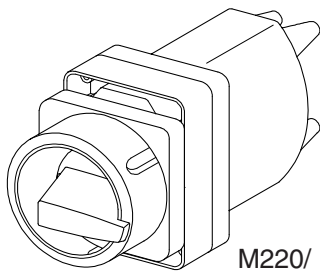
FAS2 - (FA number)

Dimensions (mm)

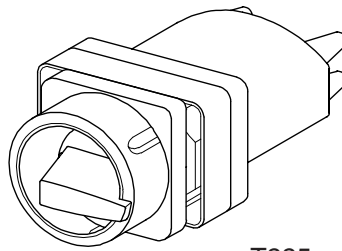
Type	A	C1	D	D1	D2	E	L with ... stages (max. 12)							each add. stage
							1	2	3	4	5	6	7	
M220	48	32	46	12	4,5	36	40	50	60	70	80	90	100	10
M221	48	32	46	12	4,5	36	43	56	69	82	95	108	121	13
M225	48	32	48	12	4,5	36	43	56	69	82	95	108	121	13
T225	48	32	50	12	4,5	36	45	60	75	90	105	120	135	15

Front Mounting Switches

sälzer

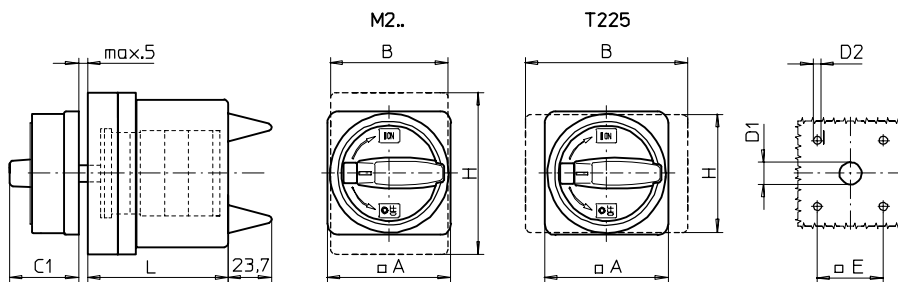


M220/ M225



T225

Schalter/Switch



Product lines
M200 / T200

Front mounting switch
With dust protection cover

Four hole mounting
36 x 36 mm

130M1 (IP66)

130M4 (IP66)

Complete switch	Poles	Product line	Rated data (IEC 60947)			Order code number
			Operational current I _e	Operational power at 380–440 V		
			AC-21A A	AC-23A kW	AC-3 kW	
Main Switches	1 ... 8	M200	20	7,5	5,5	M220 - 61 ... - 130M1
Switching angle 90°	1 ... 6		25	11	7,5	M225 - 61 ... - 130M1
OFF position padlockable 09h	1 ... 4	T200	32	15	11	T225 - 61 ... - 130M1
Main/Emergency-Off Switches	1 ... 8	M200	20	7,5	5,5	M220 - 61 ... - 130M4
Switching angle 90°	1 ... 6		25	11	7,5	M225 - 61 ... - 130M4
OFF position padlockable 09h	1 ... 4	T200	32	15	11	T225 - 61 ... - 130M4

SMD modules for basic switch

Mounting form module for 130M.

M200
T200

BFA2 - 130
BFB2 - 130

M-padlock device 67 x 67 mm, mounting form 130M1
Escutcheon black, padlockable handle black

2CM1

M-padlock device 67 x 67 mm, mounting form 130M4
Escutcheon yellow, padlockable handle red

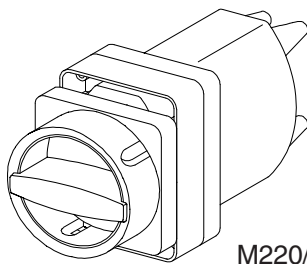
2CM4

Dimensions (mm)

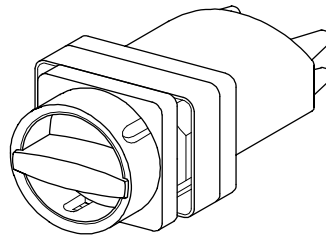
Product lines	A	B	C1	D1	D2	E	H	L with ... stages			
								1	2	3	4
M220	67	64	38	15	4,5	36	88	80	80	80	80
M221	67	64	38	15	4,5	36	88	80	80	80	-
M225	67	64	38	15	4,5	36	88	80	80	80	-
T225	67	88	38	15	4,5	36	64	80	80	-	-

Front Mounting Switches

sälzer

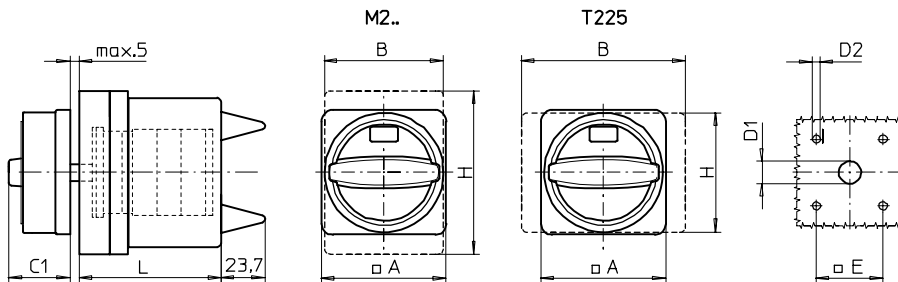


M220/ M225



T225

Schalter/Switch



Product lines
M200 / T200

Front mounting switch

With dust protection cover

Four hole mounting

36 x 36 mm

130N1 (IP66)

130N4 (IP66)

Complete switch	Poles	Product line	Rated data (IEC 60947)			Order code number
			Operational current I _e	Operational power at 380–440 V		
			AC-21A A	AC-23A kW	AC-3 kW	
Main Switches	1 ... 8	M200	20	7,5	5,5	M220 - 61 ... - 130N1
Switching angle 90°	1 ... 6		25	11	7,5	M225 - 61 ... - 130N1
OFF position padlockable 12h	1 ... 4	T200	32	15	11	T225 - 61 ... - 130N1
Main/Emergency-Off Switches	1 ... 8	M200	20	7,5	5,5	M220 - 61 ... - 130N4
Switching angle 90°	1 ... 6		25	11	7,5	M225 - 61 ... - 130N4
OFF position padlockable 12h	1 ... 4	T200	32	15	11	T225 - 61 ... - 130N4

SMD modules for basic switch

Mounting form module for 130N.

M200
T200

BFA2 - 130
BFB2 - 130

N-padlock device 67 x 67 mm, mounting form 130N1
Escutcheon black, padlockable handle black

2CN1

N-padlock device 67 x 67 mm, mounting form 130N4
Escutcheon yellow, padlockable handle red

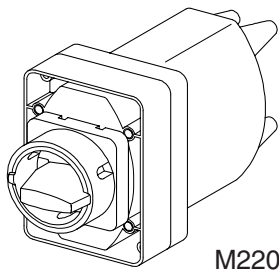
2CN4

Dimensions (mm)

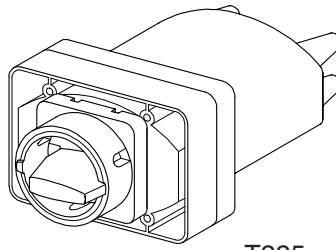
Product lines	A	B	C1	D1	D2	E	H	L with ... stages			
								1	2	3	4
M220	67	64	33	15	4,5	36	88	80	80	80	80
M221	67	64	33	15	4,5	36	88	80	80	80	-
M225	67	64	33	15	4,5	36	88	80	80	80	-
T225	67	88	33	15	4,5	36	64	80	80	-	-

Front Mounting Switches

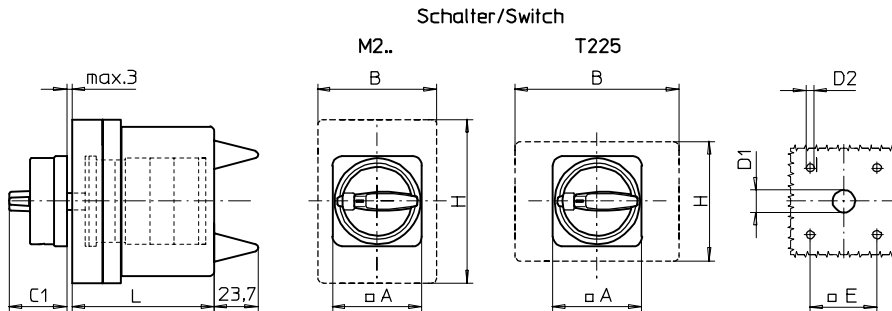
sälzer



M220/ M225



T225



Product lines
M200 / T200

Front mounting switch
With dust protection cover

Four hole mounting
36 x 36 mm

131M1 (IP66)

131M4 (IP66)

Complete switch	Poles	Product line	Rated data (IEC 60947)			Order code number
			Operational current I _e	Operational power at 380–440 V		
			AC-21A A	AC-23A kW	AC-3 kW	
Main Switches	1 ... 8	M200	20	7,5	5,5	M220 - 61 ... - 131M1
Switching angle 90°	1 ... 6		25	11	7,5	M225 - 61 ... - 131M1
OFF position padlockable 09h	1 ... 4	T200	32	15	11	T225 - 61 ... - 131M1
Main/Emergency-Off Switches	1 ... 8	M200	20	7,5	5,5	M220 - 61 ... - 131M4
Switching angle 90°	1 ... 6		25	11	7,5	M225 - 61 ... - 131M4
OFF position padlockable 09h	1 ... 4	T200	32	15	11	T225 - 61 ... - 131M4

SMD modules for basic switch

Mounting form module for 131M.

M200
T200

BFA2 - 131
BFB2 - 131

M-padlock device 48 x 48 mm, mounting form 131M1
Escutcheon black, padlockable handle black

2BM1

M-padlock device 48 x 48 mm, mounting form 131M4
Escutcheon yellow, padlockable handle red

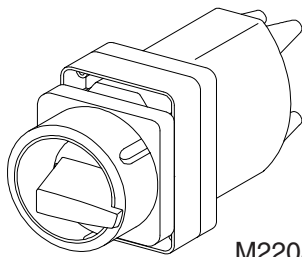
2BM4

Dimensions (mm)

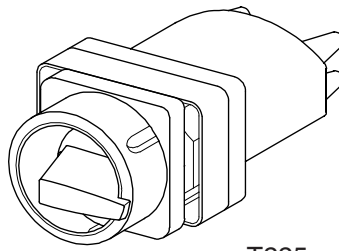
Product lines	A	B	C1	D1	D2	E	H	L with ... stages			
								1	2	3	4
M220	48	64	32	12	4,5	36	88	80	80	80	80
M221	48	64	32	12	4,5	36	88	80	80	80	-
M225	48	64	32	12	4,5	36	88	80	80	80	-
T225	48	88	32	12	4,5	36	64	80	80	-	-

Front Mounting Switches

sälzer

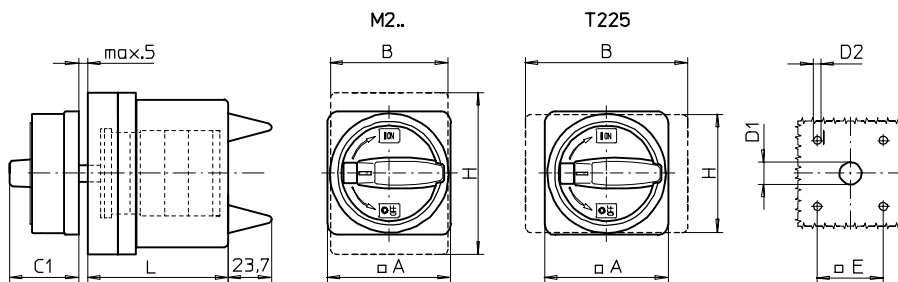


M220/ M225



T225

Schalter/Switch



Product lines
M200 / T200

Front mounting switch
Operator module of next size
With dust protection cover

Four hole mounting
48 x 48 mm

132M1 (IP66)

132M4 (IP66)

Complete switch	Poles	Product line	Rated data (IEC 60947)			Order code number
			Operational current I _e	Operational power at 380–440 V		
			AC-21A A	AC-23A kW	AC-3 kW	
Main Switches	1 ... 8	M200	20	7,5	5,5	M220 - 61 ... - 132M1
Switching angle 90°	1 ... 6		25	11	7,5	M225 - 61 ... - 132M1
OFF position padlockable 09h	1 ... 4	T200	32	15	11	T225 - 61 ... - 132M1
Main/Emergency-Off Switches	1 ... 8	M200	20	7,5	5,5	M220 - 61 ... - 132M4
Switching angle 90°	1 ... 6		25	11	7,5	M225 - 61 ... - 132M4
OFF position padlockable 09h	1 ... 4	T200	32	15	11	T225 - 61 ... - 132M4

SMD modules for basic switch

Mounting form module for 132M.

M200
T200

BFA2 - 132
BFB2 - 132

M-padlock device 67 x 67 mm, mounting form 132M1
Escutcheon black, padlockable handle black

4BM1

M-padlock device 67 x 67 mm, mounting form 132M4
Escutcheon yellow, padlockable handle red

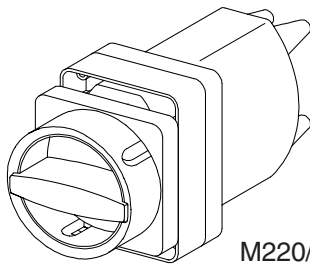
4BM4

Dimensions (mm)

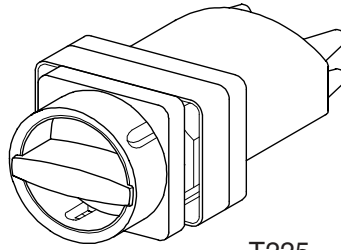
Product lines	A	B	C1	D1	D2	E	H	L with ... stages			
								1	2	3	4
M220	67	64	38	15	5	48	88	80	80	80	80
M221	67	64	38	15	5	48	88	80	80	80	-
M225	67	64	38	15	5	48	88	80	80	80	-
T225	67	88	38	15	5	48	64	80	80	-	-

Front Mounting Switches

sälzer

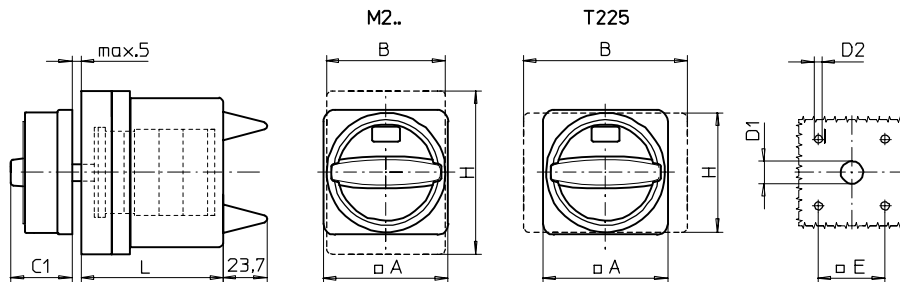


M220/ M225



T225

Schalter/Switch



Product lines
M200 / T200

Front mounting switch
Operator module of next size
With dust protection cover

Four hole mounting
48 x 48 mm

132N1 (IP66)

132N4 (IP66)

Complete switch	Poles	Product line	Rated data (IEC 60947)			Order code number
			Operational current I _e	Operational power at 380–440 V		
			AC-21A A	AC-23A kW	AC-3 kW	
Main Switches	1 ... 8	M200	20	7,5	5,5	M220 - 61 ... - 132N1
Switching angle 90°	1 ... 6		25	11	7,5	M225 - 61 ... - 132N1
OFF position padlockable 12h	1 ... 4	T200	32	15	11	T225 - 61 ... - 132N1
Main/Emergency-Off Switches	1 ... 8	M200	20	7,5	5,5	M220 - 61 ... - 132N4
Switching angle 90°	1 ... 6		25	11	7,5	M225 - 61 ... - 132N4
OFF position padlockable 12h	1 ... 4	T200	32	15	11	T225 - 61 ... - 132N4

SMD modules for basic switch

Mounting form module for 132N.

M200
T200

BFA2 - 132
BFB2 - 132

N-padlock device 67 x 67 mm, mounting form 132N1
Escutcheon black, padlockable handle black

4BN1

N-padlock device 67 x 67 mm, mounting form 132N4
Escutcheon yellow, padlockable handle red

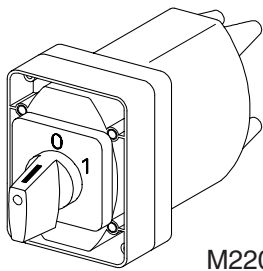
4BN4

Dimensions (mm)

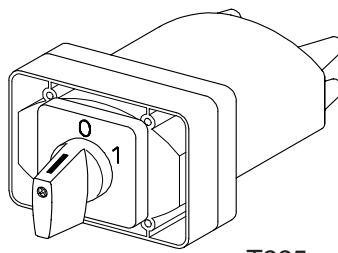
Product lines	A	B	C1	D1	D2	E	H	L with ... stages			
								1	2	3	4
M220	67	64	33	15	5	48	88	80	80	80	80
M221	67	64	33	15	5	48	88	80	80	80	-
M225	67	64	33	15	5	48	88	80	80	80	-
T225	67	88	33	15	5	48	64	80	80	-	-

Front Mounting Switches

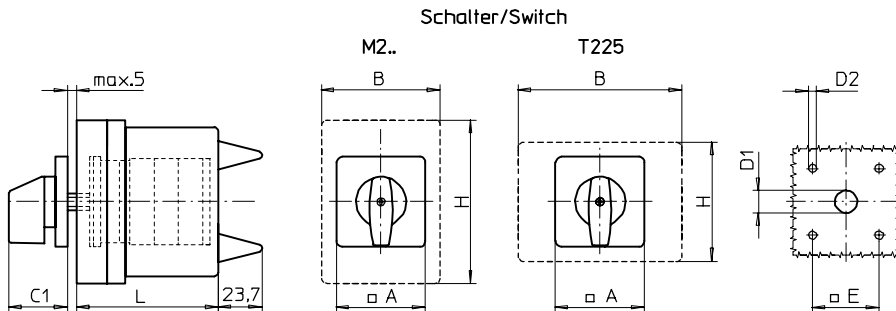
sälzer



M220/ M225



T225



Product lines
M200 / T200

Front mounting switch
With dust protection cover

Four hole mounting
36 x 36 mm

Hexagon steel shaft
Front mounting panel door
thickness up to 5 mm max.

150M1 (IP66)

Complete switch	Poles	Product line	Rated data (IEC 60947)			Order code number
			Operational current I _e	Operational power at 380–440 V		
			AC-21A A	AC-23A kW	AC-3 kW	
Rotary Cam Switches Switching angle 30°/45°/60°/90°	1 ... 8	M200	20	7,5	5,5	M220 - 61 ... - 150M1
	1 ... 6		25	11	7,5	M225 - 61 ... - 150M1
	1 ... 4	T200	32	15	11	T225 - 61 ... - 150M1

SMD modules for basic switch

Mounting form module for 150M1

M200
T200

BFA2 - 150
BFB2 - 150

M-operator module 48 x 48 mm, mounting form 150M1
Escutcheon black, handle black

M200 / T200

2PM1

Legend plate silver, operator module 150M1

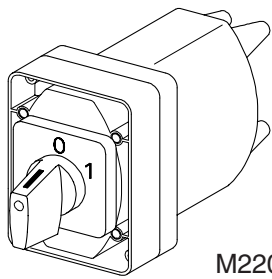
FAS2 - (FA number)

Dimensions (mm)

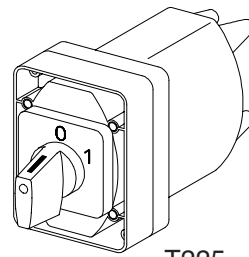
Product lines	A	B	C1	D1	D2	E	H	L with ... stages			
								1	2	3	4
M220	48	64	32	12	4,5	36	88	80	80	80	80
M221	48	64	32	12	4,5	36	88	80	80	80	-
M225	48	64	32	12	4,5	36	88	80	80	80	-
T225	48	88	32	12	4,5	36	64	80	80	-	-

Front Mounting Switches

sälzer

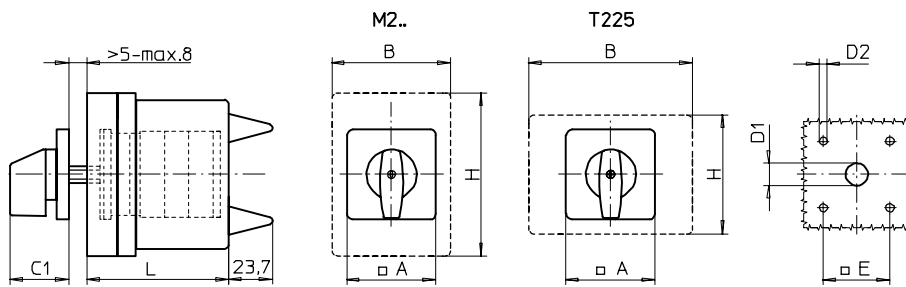


M220/ M225



T225

Schalter/Switch



Product lines
M200 / T200

Front mounting switch
with dust protection cover

Four hole mounting
36 x 36 mm

Hexagon steel shaft
Front mounting panel
door thickness up to
5 to 8 mm max.

151M1 (IP66)

Complete switch	Poles	Product line	Rated data (IEC 60947)			Order code number
			Operational current I _e	Operational power at 380–440 V		
			AC-21A A	AC-23A kW	AC-3 kW	
Rotary Cam Switches Switching angle 30°/45°/60°/90°	1 ... 8	M200	20	7,5	5,5	M220 - 61 ... - 151M1
	1 ... 6		25	11	7,5	M225 - 61 ... - 151M1
	1 ... 4	T200	32	15	11	T225 - 61 ... - 151M1

SMD modules for basic switch

Mounting form module for 151M1

M200
T200

BFA2 - 151
BFB2 - 151

M-operator module 48 x 48 mm, mounting form 151M1
Escutcheon black, handle black

M200 / T200

2SM1

Legend plate silver, operator module 151M1

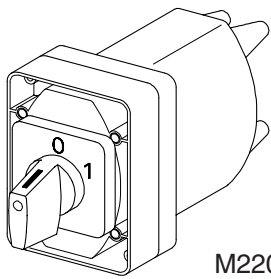
FAS2 - (FA number)

Dimensions (mm)

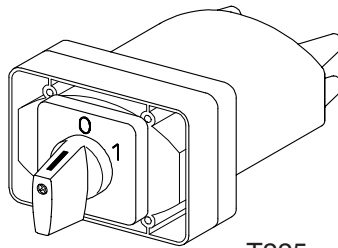
Product lines	A	B	C1	D1	D2	E	H	L with ... stages			
								1	2	3	4
M220	48	64	32	12	4,5	36	88	80	80	80	80
M221	48	64	32	12	4,5	36	88	80	80	80	-
M225	48	64	32	12	4,5	36	88	80	80	80	-
T225	48	88	32	12	4,5	36	64	80	80	-	-

Front Mounting Switches

sälzer

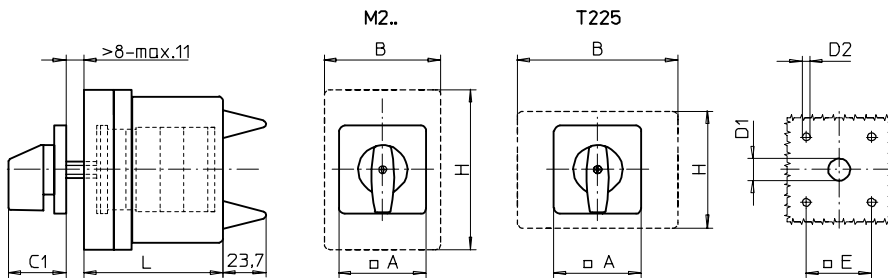


M220/ M225



T225

Schalter/Switch



Product lines
M200 / T200

Front mounting switch
with dust protection cover

Four hole mounting
36 x 36 mm

Hexagon steel shaft
Front mounting panel
door thickness up to
8 to 11 mm max.

152M1 (IP66)

Complete switch	Poles	Product line	Rated data (IEC 60947)			Order code number
			Operational current I _e	Operational power at 380–440 V		
			AC-21A A	AC-23A kW	AC-3 kW	
Rotary Cam Switches Switching angle 30°/45°/60°/90°	1 ... 8	M200	20	7,5	5,5	M220 - 61 ... - 152M1
	1 ... 6		25	11	7,5	M225 - 61 ... - 152M1
	1 ... 4	T200	32	15	11	T225 - 61 ... - 152M1

SMD modules for basic switch

Mounting form module for 152M1

M200
T200

BFA2 - 152
BFB2 - 152

M-operator module 48 x 48 mm, mounting form 152M1
Escutcheon black, handle black

M200 / T200

2TM1

Legend plate silver, operator module 152M1

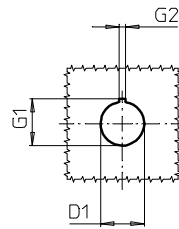
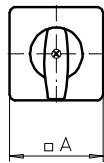
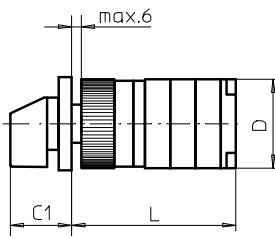
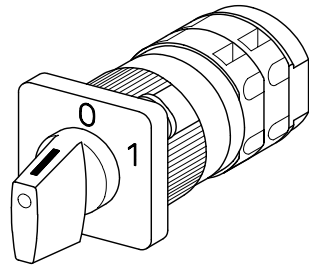
FAS2 - (FA number)

Dimensions (mm)

Typ	A	B	C1	D1	D2	E	H	L with ... stages			
								1	2	3	4
M220	48	64	32	12	4,5	36	88	80	80	80	80
M221	48	64	32	12	4,5	36	88	80	80	80	-
M225	48	64	32	12	4,5	36	88	80	80	80	-
T225	48	88	32	12	4,5	36	64	80	80	-	-

Front Mounting Switches

sälzer



Product lines
M200 / T200

Front mounting switch

Single hole mounting
ø 22,5 mm

219M1 (IP66)

Complete switch	Poles	Product line	Rated data (IEC 60947)			Order code number
			Operational current I _e	Operational power at 380–440 V		
			AC-21A A	AC-23A kW	AC-3 kW	
Rotary Cam Switches Switching angle 30°/45°/60°/90°	1 ... 24	M200	20	7,5	5,5	M220 - 61 ... - 219M1
			25	11	7,5	M225 - 61 ... - 219M1
	1 ... 24	T200	32	15	11	T225 - 61 ... - 219M1

SMD modules for basic switch

Mounting form module for 219M1

M200 / T200

BFB2 - 219

M-operator module 48 x 48 mm, mounting form 219M1

2DM1

Escutcheon black, handle black

Legend plate silver, operator module 219M1

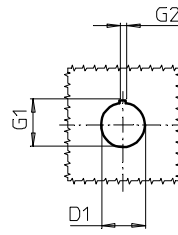
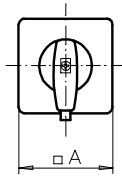
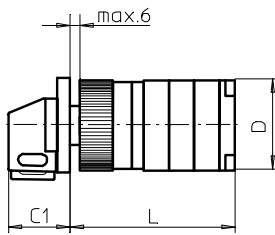
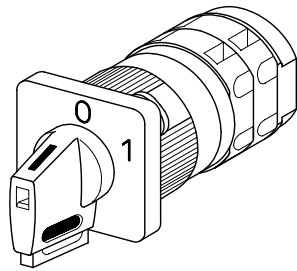
FAS2 - (FA number)

Dimensions (mm)

Product lines	A	C1	D	D1	G1	G2	L with ... stages (max. 12)							each add. stage
							1	2	3	4	5	6	7	
M220	48	32	46	22,5	24,2	3,2	59	69	79	89	99	109	119	10
M221	48	32	46	22,5	24,2	3,2	62	75	88	101	114	127	140	13
M225	48	32	48	22,5	24,2	3,2	62	75	88	101	114	127	140	13
T225	48	32	50	22,5	24,2	3,2	64	79	94	109	124	139	154	15

Front Mounting Switches

sälzer



**Product lines
M200 / T200**

Front mounting switch

**Single hole mounting
ø 22,5 mm**

**219V1 (IP66)
220V1 (IP66)**

Complete switch	Poles	Product line	Rated data (IEC 60947)			Order code number
			Operational current I _e	Operational power at 380–440 V		
			AC-21A A	AC-23A kW	AC-3 kW	
Rotary Cam Switches Switching angle 30°/45°/60°/90° Padlockable 12h	1 ... 24	M200	20	7,5	5,5	M220 - 61 ... - 219V1
			25	11	7,5	M225 - 61 ... - 219V1
	1 ... 24	T200	32	15	11	T225 - 61 ... - 219V1
Rotary Cam Switches Switching angle 90° 3 positions padlockable (09h/12h/03h)	1 ... 24	M200	20	7,5	5,5	M220 - 61 ... - 220V1
			25	11	7,5	M225 - 61 ... - 220V1
	1 ... 24	T200	32	15	11	T225 - 61 ... - 220V1

SMD modules for basic switch

Mounting form module for 219V1/ 220V1

M200 / T200

BFB2 - 219

V-operator module 48 x 48 mm, mounting form 219V1
Escutcheon black, handle black

2DV1 - 12

V-operator module 48 x 48 mm, mounting form 220V1
Escutcheon black, handle black

2DV1 - 99

Legend plate silver, operator module 219V1/ 220V1

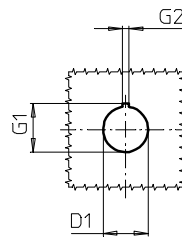
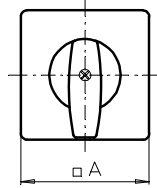
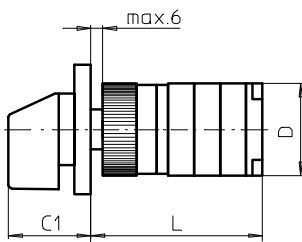
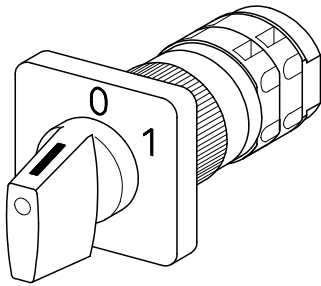
FAS2 - (FA number)

Dimensions (mm)

Product lines	A	C1	D	D1	G1	G2	L with ... stages (max. 12)							each add. stage
							1	2	3	4	5	6	7	
M220	48	32	46	22,5	24,2	3,2	59	69	79	89	99	109	119	10
M221	48	32	46	22,5	24,2	3,2	62	75	88	101	114	127	140	13
M225	48	32	48	22,5	24,2	3,2	62	75	88	101	114	127	140	13
T225	48	32	50	22,5	24,2	3,2	64	79	94	109	124	139	154	15

Front Mounting Switches

sälzer



Product lines
M200 / T200

Front mounting switch
Operator module of next size

Single hole mounting
ø 22,5 mm

214M1 (IP66)

Complete switch	Poles	Product line	Rated data (IEC 60947)			Order code number
			Operational current I _e	Operational power at 380–440 V		
			AC-21A A	AC-23A kW	AC-3 kW	
Rotary Cam Switches Switching angle 30°/45°/60°/90°	1 ... 24	M200	20	7,5	5,5	M220 - 61 ... - 214M1
			25	11	7,5	M225 - 61 ... - 214M1
	1 ... 24	T200	32	15	11	T225 - 61 ... - 214M1

SMD modules for basic switch

Mounting form module for 214M1

M-operator module 64 x 64 mm, mounting form 214M1

Escutcheon black, handle black

Legend plate silver, operator module 214M1

M200 / T200

BFB2 - 219

2KM1

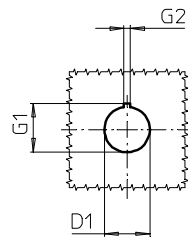
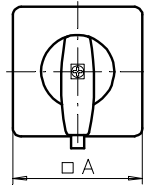
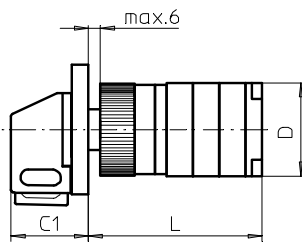
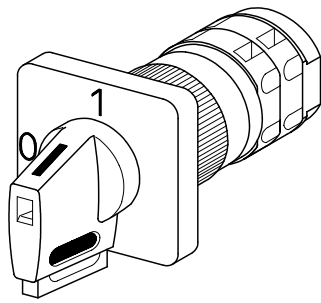
FAS4- (FA number)

Dimensions (mm)

Product lines	A	C1	D	D1	G1	G2	L with ... stages (max. 12)							each add. stage
							1	2	3	4	5	6	7	
M220	64	39	46	22,5	24,2	3,2	59	69	79	89	99	109	119	10
M221	64	39	46	22,5	24,2	3,2	62	75	88	101	114	127	140	13
M225	64	39	48	22,5	24,2	3,2	62	75	88	101	114	127	140	13
T225	64	39	50	22,5	24,2	3,2	64	79	94	109	124	139	154	15

Front Mounting Switches

sälzer



Product lines
M200 / T200

Front mounting switch
Operator module of next size

Single hole mounting
ø 22,5 mm

214V1 (IP66)
213V1 (IP66)

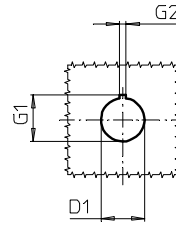
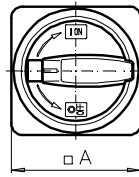
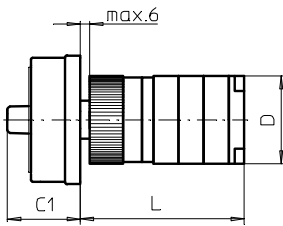
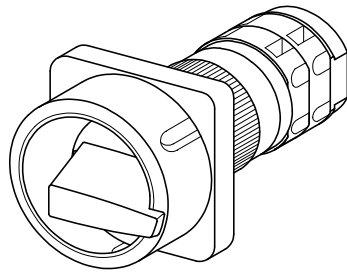
Complete switch	Poles	Product line	Rated data (IEC 60947)			Order code number
			Operational current I _e	Operational power at 380–440 V		
			AC-21A A	AC-23A kW	AC-3 kW	
Rotary Cam Switches Switching angle 30°/45°/60°/90° Padlockable 12h	1 ... 24	M200	20	7,5	5,5	M220 - 61 ... - 214V1
			25	11	7,5	M225 - 61 ... - 214V1
	1 ... 24	T200	32	15	11	T225 - 61 ... - 214V1
Rotary Cam Switches Switching angle 90° 3 positions padlockable (09h/12h/03h)	1 ... 24	M200	20	7,5	5,5	M220 - 61 ... - 213V1
			25	11	7,5	M225 - 61 ... - 213V1
	1 ... 24	T200	32	15	11	T225 - 61 ... - 213V1

SMD modules for basic switch			
Mounting form module for 214V1/ 213V1		M200 / T200	BFB2 - 219
V-operator module 64 x 64 mm, mounting form 214V1 Escutcheon black, handle black			2KV1 - 12
V-operator module 64 x 64 mm, mounting form 213V1 Escutcheon black, handle black			2KV1 - 99
Legend plate silver, operator module 214V1/ 213V1			FAS4 - (FA number)

Dimensions (mm)														
Product lines	A	C1	D	D1	G1	G2	L with ... stages (max. 12)							each add. stage
							1	2	3	4	5	6	7	
M220	64	39	46	22,5	24,2	3,2	59	69	79	89	99	109	119	10
M221	64	39	46	22,5	24,2	3,2	62	75	88	101	114	127	140	13
M225	64	39	48	22,5	24,2	3,2	62	75	88	101	114	127	140	13
T225	64	39	50	22,5	24,2	3,2	64	79	94	109	124	139	154	15

Front Mounting Switches

sälzer



Product lines
M200 / T200

Front mounting switch

Single hole mounting
ø 22,5 mm

206M1 (IP66)
206M4 (IP66)

Complete switch	Poles	Product line	Rated data (IEC 60947)			Order code number
			Operational current I _e	Operational power at 380–440 V		
			AC-21A A	AC-23A kW	AC-3 kW	
Main Switches Switching angle 90° OFF position padlockable 09h	1 ... 24	M200	20	7,5	5,5	M220 - 61 ... - 206M1
			25	11	7,5	M225 - 61 ... - 206M1
Main/Emergency-Off Switches Switching angle 90° OFF position padlockable 09h	1 ... 24	T200	32	15	11	T225 - 61 ... - 206M1
Main/Emergency-Off Switches Switching angle 90° OFF position padlockable 09h	1 ... 24	M200	20	7,5	5,5	M220 - 61 ... - 206M4
			25	11	7,5	M225 - 61 ... - 206M4
Main/Emergency-Off Switches Switching angle 90° OFF position padlockable 09h	1 ... 24	T200	32	15	11	T225 - 61 ... - 206M4

SMD modules for basic switch

Mounting form module for 206M.

M200 / T200

BFB2 - 219

M-padlock device 67 x 67 mm, mounting form 206M1
Escutcheon black, padlockable handle black

2FM1

M-padlock device 67 x 67 mm, mounting form 206M4
Escutcheon yellow, padlockable handle red

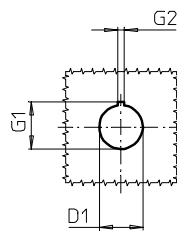
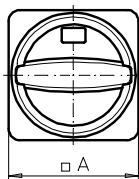
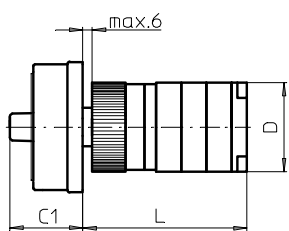
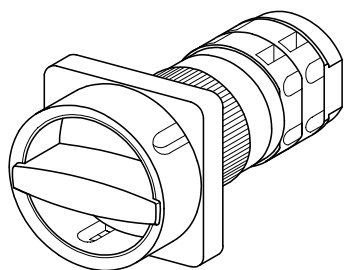
2FM4

Dimensions (mm)

Product lines	A	C1	D	D1	G1	G2	L with ... stages (max. 12)							each add. stage
							1	2	3	4	5	6	7	
M220	67	38	46	22,5	24,2	3,2	59	69	79	89	99	109	119	10
M221	67	38	46	22,5	24,2	3,2	62	75	88	101	114	127	140	13
M225	67	38	48	22,5	24,2	3,2	62	75	88	101	114	127	140	13
T225	67	38	50	22,5	24,2	3,2	64	79	94	109	124	139	154	15

Front Mounting Switches

sälzer



Product lines
M200 / T200

Front mounting switch

Single hole mounting
ø 22,5 mm

206N1 (IP66)
206N4 (IP66)

Complete switch	Poles	Product line	Rated data (IEC 60947)			Order code number
			Operational current I _e	Operational power at 380–440 V		
			AC-21A A	AC-23A kW	AC-3 kW	
Main Switches Switching angle 90° OFF position padlockable 12h	1 ... 24	M200	20	7,5	5,5	M220 - 61 ... - 206N1
			25	11	7,5	M225 - 61 ... - 206N1
	1 ... 24	T200	32	15	11	T225 - 61 ... - 206N1
Main/Emergency-Off Switches Switching angle 90° OFF position padlockable 12h	1 ... 24	M200	20	7,5	5,5	M220 - 61 ... - 206N4
			25	11	7,5	M225 - 61 ... - 206N4
	1 ... 24	T200	32	15	11	T225 - 61 ... - 206N4

SMD modules for basic switch

Mounting form module for 206N.

M200 / T200

BFB2 - 219

M-padlock device 67 x 67 mm, mounting form 206M1
Escutcheon black, padlockable handle black

2FN1

M-padlock device 67 x 67 mm, mounting form 206M4
Escutcheon yellow, padlockable handle red

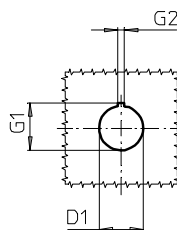
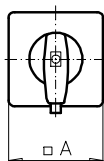
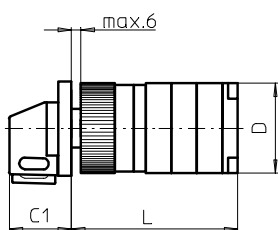
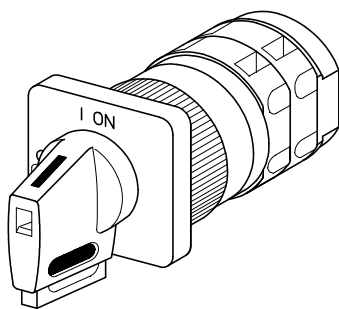
2FN4

Dimensions (mm)

Product lines	A	C1	D	D1	G1	G2	L with ... stages (max. 12)							each add. stage
							1	2	3	4	5	6	7	
M220	67	33	46	22,5	24,2	3,2	59	69	79	89	99	109	119	10
M221	67	33	46	22,5	24,2	3,2	62	75	88	101	114	127	140	13
M225	67	33	48	22,5	24,2	3,2	62	75	88	101	114	127	140	13
T225	67	33	50	22,5	24,2	3,2	64	79	94	109	124	139	154	15

Front Mounting Switches

sälzer



Product lines
M200 / T200

Front mounting switch

Single hole mounting
ø 22,5 mm

206V1 (IP66)
206V4 (IP66)

Complete switch	Poles	Product line	Rated data (IEC 60947)			Order code number
			Operational current I _e	Operational power at 380–440 V		
			AC-21A A	AC-23A kW	AC-3 kW	
Main Switches	1 ... 24	M200	20	7,5	5,5	M220 - 61 ... - 206V1
Switching angle 90°			25	11	7,5	M225 - 61 ... - 206V1
OFF position padlockable 09h	1 ... 24	T200	32	15	11	T225 - 61 ... - 206V1
Main/Emergency-Off Switches	1 ... 24	M200	20	7,5	5,5	M220 - 61 ... - 206V4
Switching angle 90°			25	11	7,5	M225 - 61 ... - 206V4
OFF position padlockable 09h	1 ... 24	T200	32	15	11	T225 - 61 ... - 206V4

SMD modules for basic switch

Mounting form module for 206V.

M200 / T200

BFB2 - 219

V-operator module 48 x 48 mm, mounting form 206V1
Escutcheon black, handle black

2DV1 - 09

Legend plate silver, operator module 206V1

FAS2 - (FA number)

V-operator module 48 x 48 mm, mounting form 206V4
Escutcheon black, handle red

2DV4 - 09

Legend plate yellow, operator module 206V4

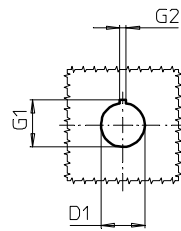
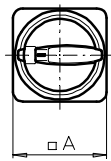
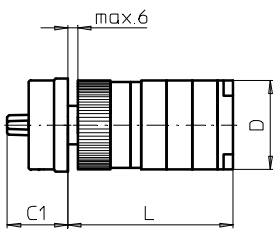
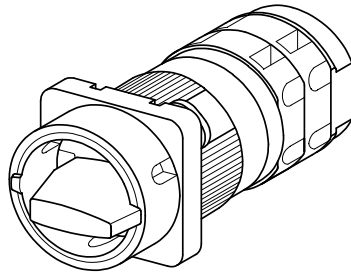
FBS2 - (FA number)

Dimensions (mm)

Product lines	A	C1	D	D1	G1	G2	L with ... stages (max. 12)							each add. stage
							1	2	3	4	5	6	7	
M220	48	32	46	22,5	24,2	3,2	59	69	79	89	99	109	119	10
M221	48	32	46	22,5	24,2	3,2	62	75	88	101	114	127	140	13
M225	48	32	48	22,5	24,2	3,2	62	75	88	101	114	127	140	13
T225	48	32	50	22,5	24,2	3,2	64	79	94	109	124	139	154	15

Front Mounting Switches

sälzer



Product lines
M200 / T200

Front mounting switch

Single hole mounting
ø 22,5 mm

205M1 (IP66)
205M4 (IP66)

Complete switch	Poles	Product line	Rated data (IEC 60947)			Order code number
			Operational current I _e	Operational power at 380–440 V		
			AC-21A A	AC-23A kW	AC-3 kW	
Main Switches	1 ... 24	M200	20	7,5	5,5	M220 - 61 ... - 205M1
Switching angle 90°			25	11	7,5	M225 - 61 ... - 205M1
OFF position padlockable 09h	1 ... 24	T200	32	15	11	T225 - 61 ... - 205M1
Main/Emergency-Off Switches	1 ... 24	M200	20	7,5	5,5	M220 - 61 ... - 205M4
Switching angle 90°			25	11	7,5	M225 - 61 ... - 205M4
OFF position padlockable 09h	1 ... 24	T200	32	15	11	T225 - 61 ... - 205M4

SMD modules for basic switch

Mounting form module for 205M.

M200 / T200

BFB2 - 219

M-padlock device 48 x 48 mm, mounting form 205M1
Escutcheon black, padlockable handle black

2EM1

M-padlock device 48 x 48 mm, mounting form 205M4
Escutcheon yellow, padlockable handle red

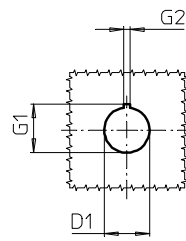
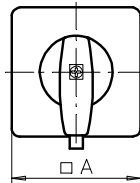
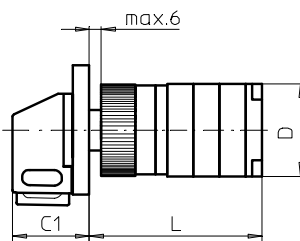
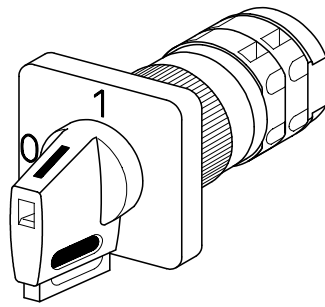
2EM4

Dimensions (mm)

Product lines	A	C1	D	D1	G1	G2	L with ... stages (max. 12)							each add. stage
							1	2	3	4	5	6	7	
M220	48	31	46	22,5	24,2	3,2	59	69	79	89	99	109	119	10
M221	48	31	46	22,5	24,2	3,2	62	75	88	101	114	127	140	13
M225	48	31	48	22,5	24,2	3,2	62	75	88	101	114	127	140	13
T225	48	31	50	22,5	24,2	3,2	64	79	94	109	124	139	154	15

Front Mounting Switches

sälzer



Product lines
M200 / T200

Front mounting switch
Operator module of next size

Single hole mounting
ø 22,5 mm

226V1 (IP66)
226V4 (IP66)

Complete switch	Poles	Product line	Rated data (IEC 60947)			Order code number
			Operational current I _e	Operational power at 380–440 V		
			AC-21A A	AC-23A kW	AC-3 kW	
Main Switches	1 ... 24	M200	20	7,5	5,5	M220 - 61 ... - 226V1
Switching angle 90°			25	11	7,5	M225 - 61 ... - 226V1
OFF position padlockable 09h	1 ... 24	T200	32	15	11	T225 - 61 ... - 226V1
Main/Emergency-Off Switches	1 ... 24	M200	20	7,5	5,5	M220 - 61 ... - 226V4
Switching angle 90°			25	11	7,5	M225 - 61 ... - 226V4
OFF position padlockable 09h	1 ... 24	T200	32	15	11	T225 - 61 ... - 226V4

SMD modules for basic switch

Mounting form module for 226V.

M200 / T200

BFB2 - 219

V-operator module 64 x 64 mm, mounting form 226V1
Escutcheon black, handle black

2KV1 - 09

Legend plate silver, operator module 226V1

FAS4 - (FA number)

V-operator module 64 x 64 mm, mounting form 226V4
Escutcheon black, handle red

2KV4 - 09

Legend plate yellow, operator module 226V4

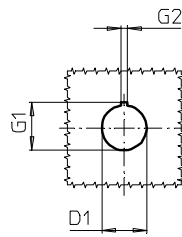
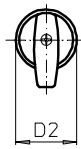
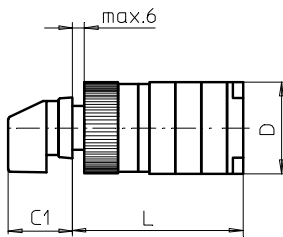
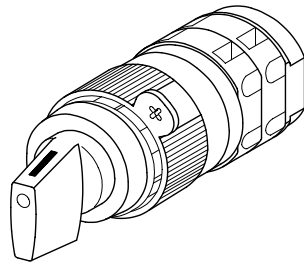
FBS4 - (FA number)

Dimensions (mm)

Product lines	A	C1	D	D1	G1	G2	L with ... stages (max. 12)							each add. stage
							1	2	3	4	5	6	7	
M220	64	39	46	22,5	24,2	3,2	59	69	79	89	99	109	119	10
M221	64	39	46	22,5	24,2	3,2	62	75	88	101	114	127	140	13
M225	64	39	48	22,5	24,2	3,2	62	75	88	101	114	127	140	13
T225	64	39	50	22,5	24,2	3,2	64	79	94	109	124	139	154	15

Front Mounting Switches

sälzer



Product lines
M200 / T200

Front mounting switch
With front ring

Single hole mounting
ø 22,5 mm

218M1 (IP66)

Complete switch	Poles	Product line	Rated data (IEC 60947)			Order code number
			Operational current I _e	Operational power at 380–440 V		
			AC-21A A	AC-23A kW	AC-3 kW	
Rotary Cam Switches Switching angle 30°/45°/60°/90°	1 ... 24	M200	20	7,5	5,5	M220 - 61 ... - 218M1
			25	11	7,5	M225 - 61 ... - 218M1
	1 ... 24	T200	32	15	11	T225 - 61 ... - 218M1

SMD modules for basic switch

Mounting form module for 218M1

M200 / T200

BFB2 - 219

Front ring black ø 30,5 mm, M-handle black, mounting form 218M1
(Front ring without legend)

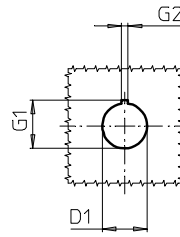
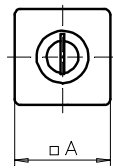
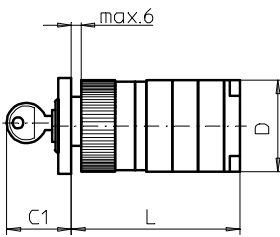
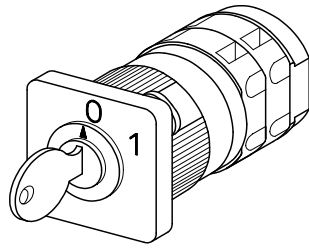
2HM1

Dimensions (mm)

Product lines	C1	D	D1	D2	G1	G2	L with ... stages (max. 12)							each add. stage
							1	2	3	4	5	6	7	
M220	32	46	22,5	30,5	24,2	3,2	59	69	79	89	99	109	119	10
M221	32	46	22,5	30,5	24,2	3,2	62	75	88	101	114	127	140	13
M225	32	48	22,5	30,5	24,2	3,2	62	75	88	101	114	127	140	13
T225	32	50	22,5	30,5	24,2	3,2	64	79	94	109	124	139	154	15

Front Mounting Switches

sälzer



Product lines
M200 / T200

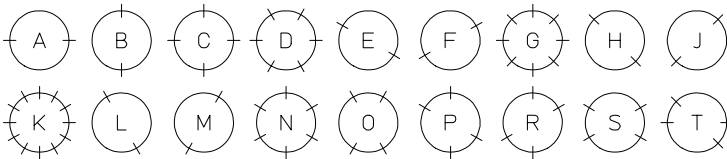
Front mounting switch
Key operated

Single hole mounting
ø 22,5 mm

S001. (IP40)

Complete switch	Poles	Product line	Rated data (IEC 60947)			Order code number
			Operational current I _e	Operational power at 380–440 V		
			AC-21A A	AC-23A kW	AC-3 kW	
Rotary Cam Switches Switching angle 30°/45°/60°/90°	1 ... 16	M200	20	7,5	5,5	M220 - 61 ... - S001.
			25	11	7,5	M225 - 61 ... - S001.
	1 ... 12	T200	32	15	11	T225 - 61 ... - S001.

The dot in the order code number of the complete mounting form/operator module must be replaced by the classification letter which identifies the key removable positions:



Lines indicate the key removable positions.

SMD modules for basic switch

Mounting form module for S001.

M200 / T200

BFA2 - S

Operator module 48 x 48 mm, mounting form S001.

2AS1-001.

Escutcheon black, Ronis lock C001, 2 keys

Legend plate silver, operator module S001.

FAS2 - (FA number)

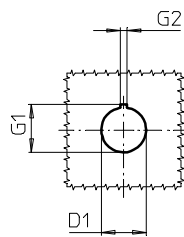
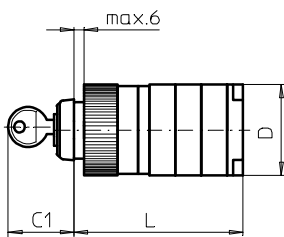
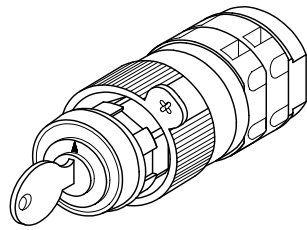
Further lock types and security lock on request.

Dimensions (mm)

Product lines	A	C1	D	D1	G1	G2	L with ... stages							
							1	2	3	4	5	6	7	8
M220	48	33	46	22,5	24,2	3,2	59	69	79	89	99	109	119	129
M221	48	33	46	22,5	24,2	3,2	62	75	88	101	114	127	140	153
M225	48	33	48	22,5	24,2	3,2	62	75	88	101	114	127	140	153
T225	48	33	50	22,5	24,2	3,2	64	79	94	109	124	139	-	-

Front Mounting Switches

sälzer



Product lines
M200 / T200

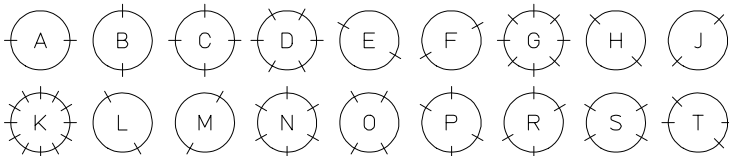
Front mounting switch
With front ring
Key operated

Single hole mounting
ø 22,5 mm

R001. (IP40)

Complete switch	Poles	Product line	Rated data (IEC 60947)			Order code number
			Operational current I _e	Operational power at 380–440 V		
			AC-21A A	AC-23A kW	AC-3 kW	
Rotary Cam Switches Switching angle 30°/45°/60°/90°	1 ... 16	M200	20	7,5	5,5	M220 - 61 ... - R001.
			25	11	7,5	M225 - 61 ... - R001.
	1 ... 12	T200	32	15	11	T225 - 61 ... - R001.

The dot in the order code number of the complete mounting form/operator module must be replaced by the classification letter which identifies the key removable positions:



Lines indicate the key removable positions.

SMD modules for basic switch

Mounting form module for R001.

M200 / T200

BFA2 - S

Front ring black ø 30,5 mm, mounting form R001.

2BS1-001.

Ronis lock C001, 2 keys

(Front ring without legend)

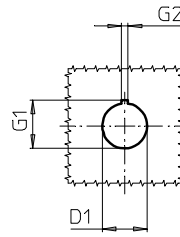
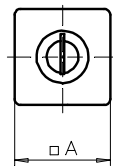
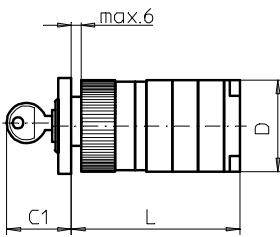
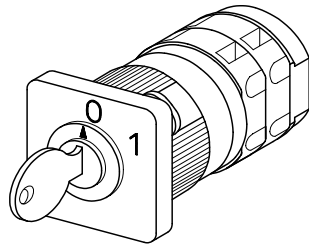
Further lock types and security lock on request.

Dimensions (mm)

Product lines	C1	D	D1	D2	G1	G2	L with ... stages							
							1	2	3	4	5	6	7	8
M220	33	46	22,5	30,5	24,2	3,2	59	69	79	89	99	109	119	129
M221	33	46	22,5	30,5	24,2	3,2	62	75	88	101	114	127	140	153
M225	33	48	22,5	30,5	24,2	3,2	62	75	88	101	114	127	140	153
T225	33	50	22,5	30,5	24,2	3,2	64	79	94	109	124	139	-	-

Front Mounting Switches

sälzer



Product lines
M200 / T200

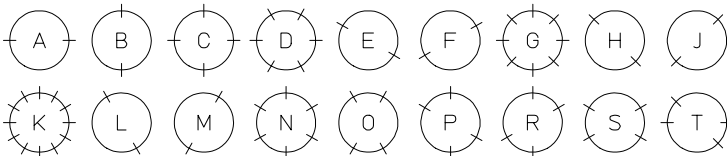
Front mounting switch
Key operated

Single hole mounting
ø 22,5 mm

T001. (IP40)

Complete switch	Poles	Product line	Rated data (IEC 60947)			Order code number
			Operational current I _e	Operational power at 380–440 V		
			AC-21A A	AC-23A kW	AC-3 kW	
Rotary Cam Switches Switching angle 30°/45°/60°/90°	1 ... 16	M200	20	7,5	5,5	M220 - 61 ... - T001.
	1 ... 12	T200	25	11	7,5	M225 - 61 ... - T001.
			32	15	11	T225 - 61 ... - T001.

The dot in the order code number of the complete mounting form/operator module must be replaced by the classification letter which identifies the key removable positions:



Lines indicate the key removable positions.

SMD modules for basic switch

Mounting form module for T001.

M200 / T200

BFA2 - S

Operator module 64 x 64 mm, mounting form T001.

4AS1-001.

Escutcheon black, Ronis lock C001, 2 keys

Legend plate silver, operator module T001.

FAS4 - (FA number)

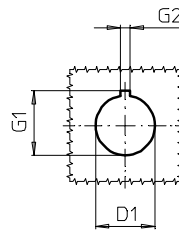
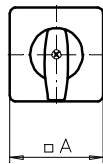
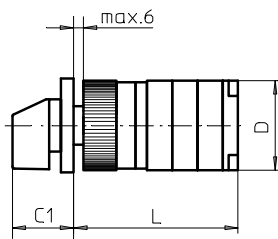
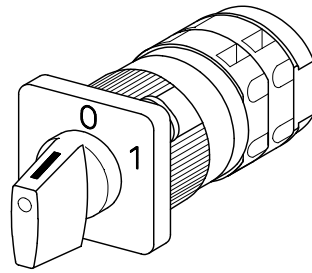
Further lock types and security lock on request.

Dimensions (mm)

Product lines	A	C1	D	D1	G1	G2	L with ... stages							
							1	2	3	4	5	6	7	8
M220	64	33	46	22,5	24,2	3,2	59	69	79	89	99	109	119	129
M221	64	33	46	22,5	24,2	3,2	62	75	88	101	114	127	140	153
M225	64	33	48	22,5	24,2	3,2	62	75	88	101	114	127	140	153
T225	64	33	50	22,5	24,2	3,2	64	79	94	109	124	139	-	-

Front Mounting Switches

sälzer



Product lines
M200 / T200

Front mounting switch

Single hole mounting
ø 30,5 mm

209M1 (IP66)

Complete switch	Poles	Product line	Rated data (IEC 60947)			Order code number
			Operational current I _e	Operational power at 380–440 V		
			AC-21A A	AC-23A kW	AC-3 kW	
Rotary Cam Switches Switching angle 30°/45°/60°/90°	1 ... 24	M200	20	7,5	5,5	M220 - 61 ... - 209M1
			25	11	7,5	M225 - 61 ... - 209M1
	1 ... 24	T200	32	15	11	T225 - 61 ... - 209M1

SMD modules for basic switch

Mounting form module for 209M1

M200 / T200

BFB2 - 219

M-operator module 48 x 48 mm, mounting form 209M1

2DM1 - 30

Escutcheon black, handle black

Legend plate silver, operator module 209M1

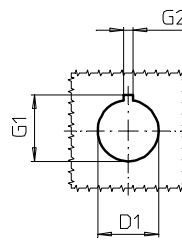
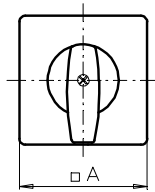
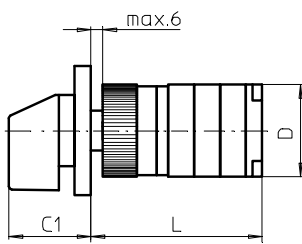
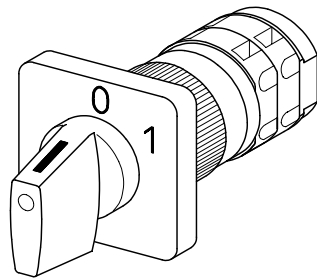
FAS2 - (FA number)

Dimensions (mm)

Product lines	A	C1	D	D1	G1	G2	L with ... stages (max. 12)							each add. stage
							1	2	3	4	5	6	7	
M220	48	32	46	30,5	33	4,8	59	69	79	89	99	109	119	10
M221	48	32	46	30,5	33	4,8	62	75	88	101	114	127	140	13
M225	48	32	48	30,5	33	4,8	62	75	88	101	114	127	140	13
T225	48	32	50	30,5	33	4,8	64	79	94	109	124	139	154	15

Front Mounting Switches

sälzer



Product lines
M200 / T200

Front mounting switch
Operator module of next size

Single hole mounting
ø 30,5 mm

204M1 (IP66)

Complete switch	Poles	Product line	Rated data (IEC 60947)			Order code number
			Operational current I _e	Operational power at 380–440 V		
			AC-21A A	AC-23A kW	AC-3 kW	
Rotary Cam Switches Switching angle 30°/45°/60°/90°	1 ... 24	M200	20	7,5	5,5	M220 - 61 ... - 204M1
			25	11	7,5	M225 - 61 ... - 204M1
	1 ... 24	T200	32	15	11	T225 - 61 ... - 204M1

SMD modules for basic switch

Mounting form module for 204M1

M200 / T200

BFB2 - 219

M-operator module 64 x 64 mm, mounting form 204M1

2KM1 - 30

Escutcheon black, handle black

Legend plate silver, operator module 204M1

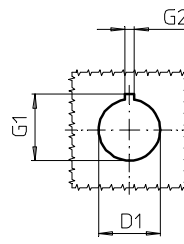
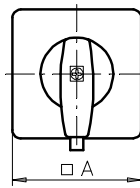
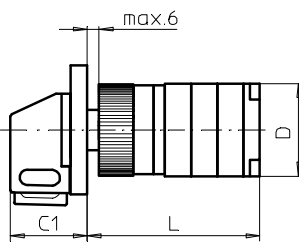
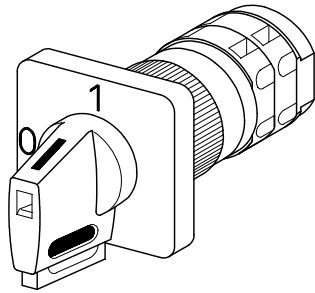
FAS4- (FA number)

Dimensions (mm)

Product lines	A	C1	D	D1	G1	G2	L with ... stages (max. 12)							each add. stage
							1	2	3	4	5	6	7	
M220	64	39	46	30,5	33	4,8	59	69	79	89	99	109	119	10
M221	64	39	46	30,5	33	4,8	62	75	88	101	114	127	140	13
M225	64	39	48	30,5	33	4,8	62	75	88	101	114	127	140	13
T225	64	39	50	30,5	33	4,8	64	79	94	109	124	139	154	15

Front Mounting Switches

sälzer



Product lines
M200 / T200

Front mounting switch
Operator module of next size

Single hole mounting
ø 30,5 mm

204V1 (IP66)
203V1 (IP66)

Complete switch	Poles	Product line	Rated data (IEC 60947)			Order code number
			Operational current I _e	Operational power at 380–440 V		
			AC-21A A	AC-23A kW	AC-3 kW	
Rotary Cam Switches Switching angle 30°/45°/60°/90° Padlockable 12h	1 ... 24	M200	20	7,5	5,5	M220 - 61 ... - 204V1
			25	11	7,5	M225 - 61 ... - 204V1
	1 ... 24	T200	32	15	11	T225 - 61 ... - 204V1
Rotary Cam Switches Switching angle 90° 3 positions padlockable (09h/12h/03h)	1 ... 24	M200	20	7,5	5,5	M220 - 61 ... - 203V1
			25	11	7,5	M225 - 61 ... - 203V1
	1 ... 24	T200	32	15	11	T225 - 61 ... - 203V1

SMD modules for basic switch

Mounting form module for 204V1/ 203V1

M200 / T200

BFB2 - 219

V-operator module 64 x 64 mm, mounting form 204V1
Escutcheon black, handle black

2KV1 - 1230

V-operator module 64 x 64 mm, mounting form 203V1
Escutcheon black, handle black

2KV1 - 9930

Legend plate silver, operator module 204V1/ 203V1

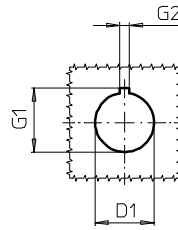
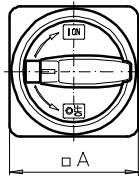
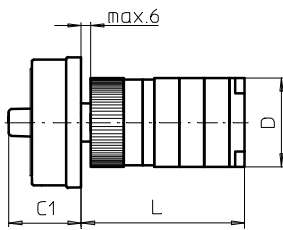
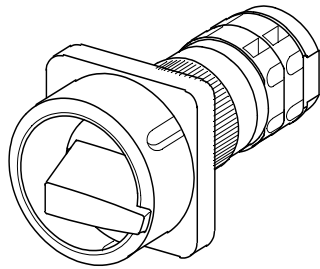
FAS4 - (FA number)

Dimensions (mm)

Product lines	A	C1	D	D1	G1	G2	L with ... stages (max. 12)							each add. stage
							1	2	3	4	5	6	7	
M220	64	39	46	30,5	33	4,8	59	69	79	89	99	109	119	10
M221	64	39	46	30,5	33	4,8	62	75	88	101	114	127	140	13
M225	64	39	48	30,5	33	4,8	62	75	88	101	114	127	140	13
T225	64	39	50	30,5	33	4,8	64	79	94	109	124	139	154	15

Front Mounting Switches

sälzer



Product lines
M200 / T200

Front mounting switch

Single hole mounting
ø 30,5 mm

216M1 (IP66)
216M4 (IP66)

Complete switch	Poles	Product line	Rated data (IEC 60947)			Order code number
			Operational current I _e	Operational power at 380–440 V		
			AC-21A A	AC-23A kW	AC-3 kW	
Main Switches	1 ... 24	M200	20	7,5	5,5	M220 - 61 ... - 216M1
Switching angle 90°			25	11	7,5	M225 - 61 ... - 216M1
OFF position padlockable 09h	1 ... 24	T200	32	15	11	T225 - 61 ... - 216M1
Main/Emergency-Off Switches	1 ... 24	M200	20	7,5	5,5	M220 - 61 ... - 216M4
Switching angle 90°			25	11	7,5	M225 - 61 ... - 216M4
OFF position padlockable 09h	1 ... 24	T200	32	15	11	T225 - 61 ... - 216M4

SMD modules for basic switch

Mounting form module for 216M.

M200 / T200

BFB2 - 219

M-padlock device 67 x 67 mm, mounting form 216M1
Escutcheon black, padlockable handle black

2FM1 - 30

M-padlock device 67 x 67 mm, mounting form 216M4
Escutcheon yellow, padlockable handle red

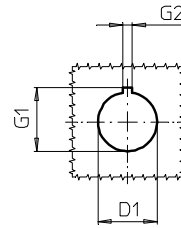
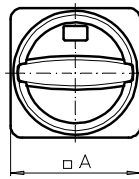
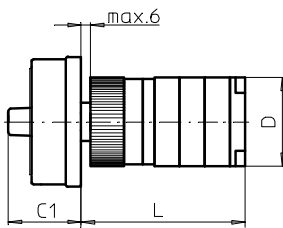
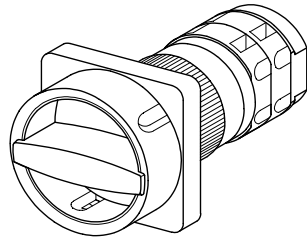
2FM4 - 30

Dimensions (mm)

Product lines	A	C1	D	D1	G1	G2	L with ... stages (max. 12)							each add. stage
							1	2	3	4	5	6	7	
M220	67	38	46	30,5	33	4,8	59	69	79	89	99	109	119	10
M221	67	38	46	30,5	33	4,8	62	75	88	101	114	127	140	13
M225	67	38	48	30,5	33	4,8	62	75	88	101	114	127	140	13
T225	67	38	50	30,5	33	4,8	64	79	94	109	124	139	154	15

Front Mounting Switches

sälzer



Product lines
M200 / T200

Front mounting switch

Single hole mounting
ø 30,5 mm

216N1 (IP66)
216N4 (IP66)

Complete switch	Poles	Product line	Rated data (IEC 60947)			Order code number
			Operational current I _e	Operational power at 380–440 V		
			AC-21A A	AC-23A kW	AC-3 kW	
Main Switches	1 ... 24	M200	20	7,5	5,5	M220 - 61 ... - 216N1
Switching angle 90°			25	11	7,5	M225 - 61 ... - 216N1
OFF position padlockable 12h	1 ... 24	T200	32	15	11	T225 - 61 ... - 216N1
Main/Emergency-Off Switches	1 ... 24	M200	20	7,5	5,5	M220 - 61 ... - 216N4
Switching angle 90°			25	11	7,5	M225 - 61 ... - 216N4
OFF position padlockable 12h	1 ... 24	T200	32	15	11	T225 - 61 ... - 216N4

SMD modules for basic switch

Mounting form module for 216N.

M200 / T200

BFB2 - 219

N-padlock device 67 x 67 mm, mounting form 216M1
Escutcheon black, padlockable handle black

2FN1 - 30

N-padlock device 67 x 67 mm, mounting form 216M4
Escutcheon yellow, padlockable handle red

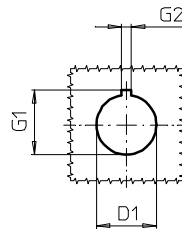
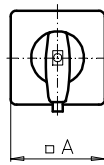
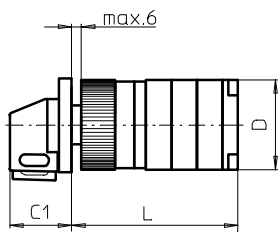
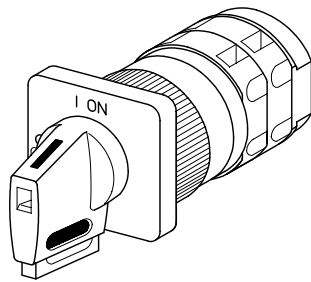
2FN4 - 30

Dimensions (mm)

Product lines	A	C1	D	D1	G1	G2	L with ... stages (max. 12)							each add. stage
							1	2	3	4	5	6	7	
M220	67	33	46	30,5	33	4,8	59	69	79	89	99	109	119	10
M221	67	33	46	30,5	33	4,8	62	75	88	101	114	127	140	13
M225	67	33	48	30,5	33	4,8	62	75	88	101	114	127	140	13
T225	67	33	50	30,5	33	4,8	64	79	94	109	124	139	154	15

Front Mounting Switches

sälzer



Product lines
M200 / T200

Front mounting switch

Single hole mounting
ø 30,5 mm

215V1 (IP66)

215V4 (IP66)

Complete switch	Poles	Product line	Rated data (IEC 60947)			Order code number
			Operational current I _e	Operational power at 380–440 V		
			AC-21A A	AC-23A kW	AC-3 kW	
Main Switches	1 ... 24	M200	20	7,5	5,5	M220 - 61 ... - 215V1
Switching angle 90°			25	11	7,5	M225 - 61 ... - 215V1
OFF position padlockable 09h	1 ... 24	T200	32	15	11	T225 - 61 ... - 215V1
Main/Emergency-Off Switches	1 ... 24	M200	20	7,5	5,5	M220 - 61 ... - 215V4
Switching angle 90°			25	11	7,5	M225 - 61 ... - 215V4
OFF position padlockable 09h	1 ... 24	T200	32	15	11	T225 - 61 ... - 215V4

SMD modules for basic switch

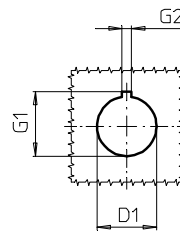
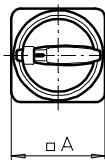
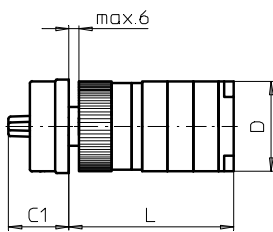
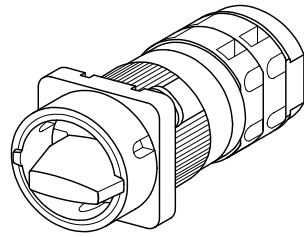
Mounting form module for 215V.	M200 / T200	BFB2 - 219
V-operator module 48 x 48 mm, mounting form 215V1 Escutcheon black, handle black		2DV1 - 0930
Legend plate silver, operator module 215V1		FAS2 - (FA number)
V-operator module 48 x 48 mm, mounting form 215V4 Escutcheon black, handle red		2DV4 - 0930
Legend plate yellow, operator module 215V4		FBS2 - (FA number)

Dimensions (mm)

Product lines	A	C1	D	D1	G1	G2	L with ... stages (max. 12)							each add. stage
							1	2	3	4	5	6	7	
M220	48	32	46	30,5	33	4,8	59	69	79	89	99	109	119	10
M221	48	32	46	30,5	33	4,8	62	75	88	101	114	127	140	13
M225	48	32	48	30,5	33	4,8	62	75	88	101	114	127	140	13
T225	48	32	50	30,5	33	4,8	64	79	94	109	124	139	154	15

Front Mounting Switches

sälzer



Product lines
M200 / T200

Front mounting switch

Single hole mounting
ø 30,5 mm

215M1 (IP66)
215M4 (IP66)

Complete switch	Poles	Product line	Rated data (IEC 60947)			Order code number
			Operational current I _e	Operational power at 380–440 V		
			AC-21A A	AC-23A kW	AC-3 kW	
Main Switches Switching angle 90° OFF position padlockable 09h	1 ... 24	M200	20	7,5	5,5	M220 - 61 ... - 215M1
			25	11	7,5	M225 - 61 ... - 215M1
Main/Emergency-Off Switches Switching angle 90° OFF position padlockable 09h	1 ... 24	T200	32	15	11	T225 - 61 ... - 215M1
Main/Emergency-Off Switches Switching angle 90° OFF position padlockable 09h	1 ... 24	M200	20	7,5	5,5	M220 - 61 ... - 215M4
			25	11	7,5	M225 - 61 ... - 215M4
Main/Emergency-Off Switches Switching angle 90° OFF position padlockable 09h	1 ... 24	T200	32	15	11	T225 - 61 ... - 215M4

SMD modules for basic switch

Mounting form module for 215M.

M200 / T200

BFB2 - 219

M-padlock device 48 x 48 mm, mounting form 215M1
Escutcheon black, padlockable handle black

2EM1 - 30

M-padlock device 48 x 48 mm, mounting form 215M4
Escutcheon yellow, padlockable handle red

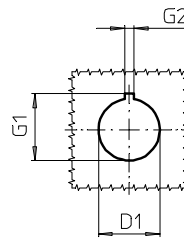
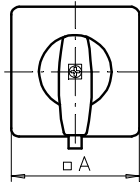
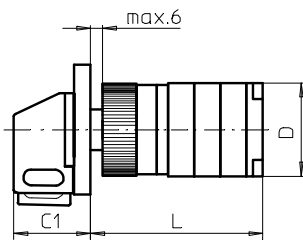
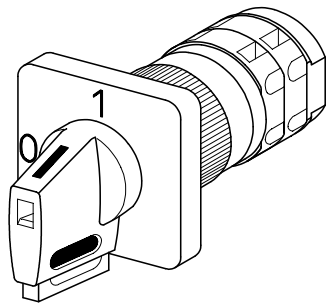
2EM4 - 30

Dimensions (mm)

Product lines	A	C1	D	D1	G1	G2	L with ... stages (max. 12)							each add. stage
							1	2	3	4	5	6	7	
M220	48	31	46	30,5	33	4,8	59	69	79	89	99	109	119	10
M221	48	31	46	30,5	33	4,8	62	75	88	101	114	127	140	13
M225	48	31	48	30,5	33	4,8	62	75	88	101	114	127	140	13
T225	48	31	50	30,5	33	4,8	64	79	94	109	124	139	154	15

Front Mounting Switches

sälzer



Product lines
M200 / T200

Front mounting switch
Operator module of next size

Single hole mounting
ø 30,5 mm

216V1 (IP66)
216V4 (IP66)

Complete switch	Poles	Product line	Rated data (IEC 60947)			Order code number
			Operational current I _e	Operational power at 380–440 V		
			AC-21A A	AC-23A kW	AC-3 kW	
Main Switches	1 ... 24	M200	20	7,5	5,5	M220 - 61 ... - 216V1
Switching angle 90°			25	11	7,5	M225 - 61 ... - 216V1
OFF position padlockable 09h	1 ... 24	T200	32	15	11	T225 - 61 ... - 216V1
Main/Emergency-Off Switches	1 ... 24	M200	20	7,5	5,5	M220 - 61 ... - 216V4
Switching angle 90°			25	11	7,5	M225 - 61 ... - 216V4
OFF position padlockable 09h	1 ... 24	T200	32	15	11	T225 - 61 ... - 216V4

SMD modules for basic switch

Mounting form module for 216V.

M200 / T200

BFB2 - 219

V-operator module 64 x 64 mm, mounting form 216V1
Escutcheon black, handle black

2KV1 - 0930

Legend plate silver, operator module 216V1

FAS4 - (FA number)

V-operator module 64 x 64 mm, mounting form 216V4
Escutcheon black, handle red

2KV4 - 0930

Legend plate yellow, operator module 216V4

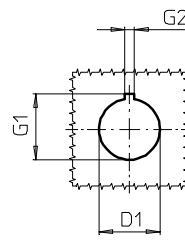
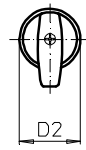
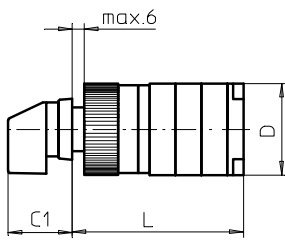
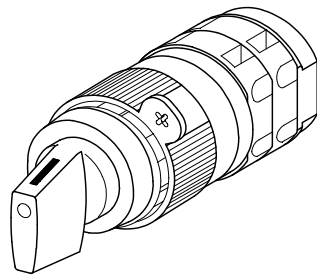
FBS4 - (FA number)

Dimensions (mm)

Product lines	A	C1	D	D1	G1	G2	L with ... stages (max. 12)							each add. stage
							1	2	3	4	5	6	7	
M220	64	39	46	30,5	33	4,8	59	69	79	89	99	109	119	10
M221	64	39	46	30,5	33	4,8	62	75	88	101	114	127	140	13
M225	64	39	48	30,5	33	4,8	62	75	88	101	114	127	140	13
T225	64	39	50	30,5	33	4,8	64	79	94	109	124	139	154	15

Front Mounting Switches

sälzer



Product lines
M200 / T200

Front mounting switch
Front ring

Single hole mounting
ø 30,5 mm

208M1 (IP66)

Complete switch	Poles	Product line	Rated data (IEC 60947)			Order code number
			Operational current I _e	Operational power at 380–440 V		
			AC-21A A	AC-23A kW	AC-3 kW	
Rotary Cam Switches Switching angle 30°/45°/60°/90°	1 ... 24	M200	20	7,5	5,5	M220 - 61 ... - 208M1
			25	11	7,5	M225 - 61 ... - 208M1
	1 ... 24	T200	32	15	11	T225 - 61 ... - 208M1

SMD modules for basic switch

Mounting form module for 208M1

M200 / T200

BFB2 - 219

Frontring black ø 39,5 mm, M-handle black, mounting form 208M1
(Front ring without legend)

2HM1 - 30

Dimensions (mm)

Product lines	C1	D	D1	D2	G1	G2	L with ... stages (max. 12)							each add. stage
							1	2	3	4	5	6	7	
M220	32	46	30,5	39,5	33	4,8	59	69	79	89	99	109	119	10
M221	32	46	30,5	39,5	33	4,8	62	75	88	101	114	127	140	13
M225	32	48	30,5	39,5	33	4,8	62	75	88	101	114	127	140	13
T225	32	50	30,5	39,5	33	4,8	64	79	94	109	124	139	154	15

Front Mounting Switches

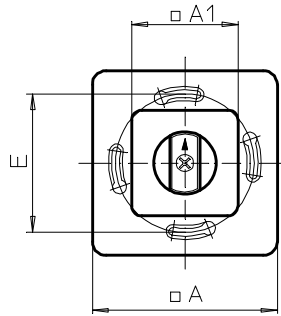
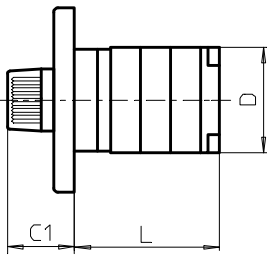
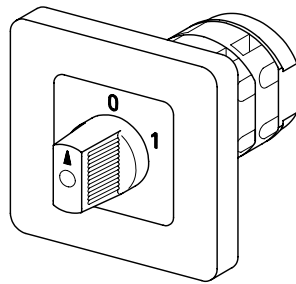
sälzer

**Product line
M200**

Front mounting switch

Wall mounting

025N3 (IP30)



Complete switch	Poles	Product line	Rated data (IEC 60947)			Order code number
			Operational current I _e	Operational power at 380–440 V		
			AC-21A A	AC-23A kW	AC-3 kW	
Rotary Cam Switches	1 ... 6	M200	20	7,5	5,5	M220 - 61 ... - 025N3
Switching angle 30°/45°/60°/90°	1 ... 2		25	11	7,5	M225 - 61 ... - 025N3

SMD modules for basic switch

Mounting form module for 025N3
Escutcheon white, N-handle white

M200

BFA2 - 025N3

Legend plate silver, mounting form module 025N3

FAS2 - (FA number)

Dimensions (mm)

Product lines	A	A1	C1	D	E	L with ... stages		
						1	2	3
M220	80	46	31	46	60	36	46	56
M221	80	46	31	46	60	39	-	-
M225	80	46	31	48	60	39	-	-

Front Mounting Switches

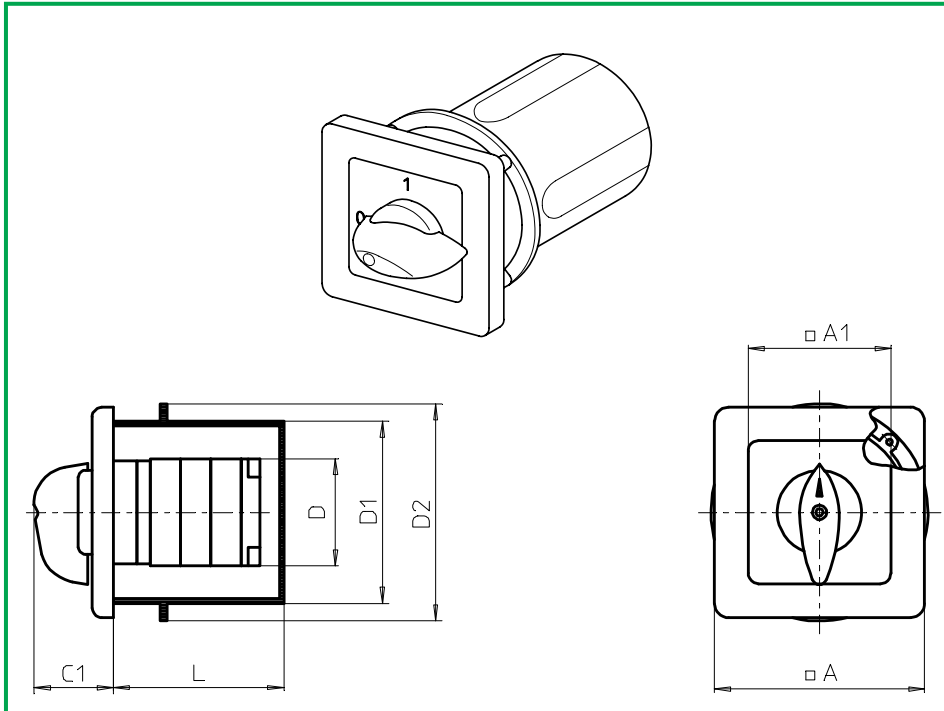
sälzer

Product lines
M200 / T200

Front mounting switch
Operator module of next size

Wall mounting
With plaster depth box (special)

024B3 (IP30)



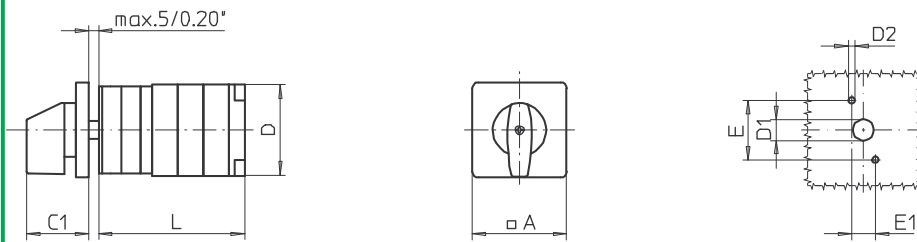
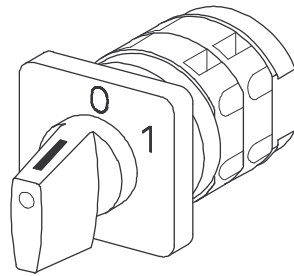
Complete switch	Poles	Product line	Rated data (IEC 60947)			Order code number
			Operational current I _e	Operational power at 380–440 V		
			AC-21A A	AC-23A kW	AC-3 kW	
Rotary Cam Switches Switching angle 30°/45°/60°/90°	1 ... 12	M200	20	7,5	5,5	M220 - 61 ... - 024B3
	1 ... 8		25	11	7,5	M225 - 61 ... - 024B3
	1 ... 8	T200	32	15	11	T225 - 61 ... - 024B3

SMD modules for basic switch			
Mounting form module 024B3		M200 / T200	BFA2 - 024B3
Escutcheon white, B-handle white			
Legend plate silver, mounting form module 024B3			FAS4 - (FA number)

Dimensions (mm)												
Product lines	A	A1	C1	D	D1	D2	L with ... stages					
							1	2	3	4	5	6
M220	90	61	38	46	78	93	97	97	97	97	97	97
M221	90	61	38	46	78	93	97	97	97	97	-	-
M225	90	61	38	48	78	93	97	97	97	97	-	-
T225	90	61	38	50	78	93	97	97	97	97	-	-

Front Mounting Switches

sälzer



**Product lines
M200/ T200**

Front mounting switch

Two hole mounting
30 x 12,2 mm

M-operator module
48 x 48 mm

503M1 (IP66)

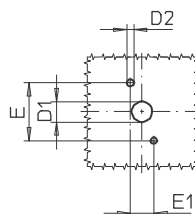
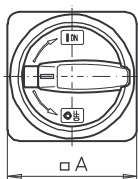
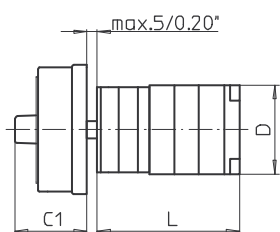
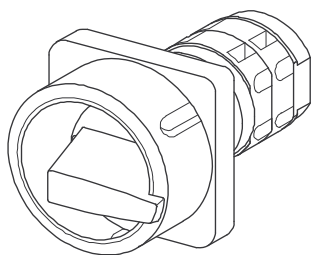
Complete switch	Poles	Product lines	Rated data (IEC 60947)			Order code number
			Operational current I _e	Operational power at 380–440 V		
			AC-21A A	AC-23A kW	AC-3 kW	
Rotary Cam Switches Switching angle 30°/45°/60°/90°	1 ... 24	M200	20	7,5	5,5	M220 - 61 ... - 503M1
			25	11	7,5	M225 - 61 ... - 503M1
	1 ... 24	T200	32	15	11	T225 - 61 ... - 503M1

SMD modules for basic switch		
Mounting form module for 503M1	M200/ T200	BFB2 - 503
M-operator module 48 x 48 mm, mounting form 503M1		2UM1
Escutcheon black, handle black		
Legend plate silver, operator module 503M1		FAS2 - (FA number)

Dimensions (mm)														
Type	A	C1	D	D1	D2	E	E1	L with ... stages (max. 12)						each add. stage
								1	2	3	4	5	6	
M220	48	32	46	12	3,5	30	12,2	46	56	66	76	86	96	10
M221	48	32	46	12	3,5	30	12,2	49	62	75	88	101	114	13
M225	48	32	48	12	3,5	30	12,2	49	62	75	88	101	114	13
T225	48	32	50	12	3,5	30	12,2	45	66	81	96	111	126	15

Front Mounting Switches

sälzer



Product lines
M200/ T200

Front mounting switch

Two hole mounting
30 x 12,2 mm

M-padlock device
67 x 67 mm

133M1 (IP66)
133M4 (IP66)

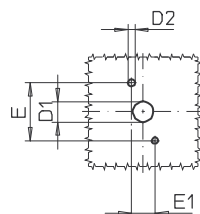
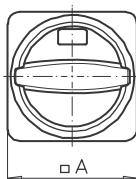
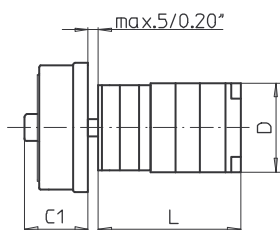
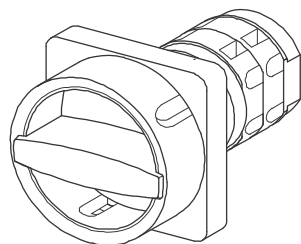
Complete switch	Poles	Product lines	Rated data (IEC 60947)			Order code number
			Operational current I _e	Operational power at 380–440 V		
			AC-21A A	AC-23A kW	AC-3 kW	
Main Switches	1 ... 24	M200	20	7,5	5,5	M220 - 61 ... - 133M1
Switching angle 90°			25	11	7,5	M225 - 61 ... - 133M1
OFF position padlockable 09h	1 ... 24	T200	32	15	11	T225 - 61 ... - 133M1
Main/Emergency-Off Switches	1 ... 24	M200	20	7,5	5,5	M220 - 61 ... - 133M4
Switching angle 90°			25	11	7,5	M225 - 61 ... - 133M4
OFF position padlockable 09h	1 ... 24	T200	32	15	11	T225 - 61 ... - 133M4

SMD modules for basic switch			
Mounting form module for 133M.		M200/ T200	BFB2 - 133
M-padlock device 67 x 67 mm, mounting form 133M1			2VM1
Escutcheon black, padlockable handle black			
M-padlock device 67 x 67 mm, mounting form 133M4			2VM4
Escutcheon yellow, padlockable handle red			

Dimensions (mm)														
Type	A	C1	D	D1	D2	E	E1	L with ... stages (max. 12)						each add. stage
								1	2	3	4	5	6	
M220	67	38	46	12	3,5	30	12,2	46	56	66	76	86	96	10
M221	67	38	46	12	3,5	30	12,2	49	62	75	88	101	114	13
M225	67	38	48	12	3,5	30	12,2	49	62	75	88	101	114	13
T225	67	38	50	12	3,5	30	12,2	45	66	81	96	111	126	15

Front Mounting Switches

sälzer



Product lines
M200/ T200

Front mounting switch

Two hole mounting
30 x 12,2 mm

N-padlock device
67 x 67 mm

133N1 (IP66)

133N4 (IP66)

Complete switch	Poles	Product lines	Rated data (IEC 60947)			Order code number
			Operational current I _e	Operational power at 380–440 V		
			AC-21A A	AC-23A kW	AC-3 kW	
Main Switches	1 ... 24	M200	20	7,5	5,5	M220 - 61 ... - 133N1
Switching angle 90°			25	11	7,5	M225 - 61 ... - 133N1
OFF position padlockable 12h	1 ... 24	T200	32	15	11	T225 - 61 ... - 133N1
Main/Emergency-Off Switches	1 ... 24	M200	20	7,5	5,5	M220 - 61 ... - 133N4
Switching angle 90°			25	11	7,5	M225 - 61 ... - 133N4
OFF position padlockable 12h	1 ... 24	T200	32	15	11	T225 - 61 ... - 133N4

SMD modules for basic switch

Mounting form module for 133N.

M200/ T200

BFB2 - 133

N-padlock device 67 x 67 mm, mounting form 133N1
Escutcheon black, padlockable handle black

2VN1

N-padlock device 67 x 67 mm, mounting form 133N4
Escutcheon yellow, padlockable handle red

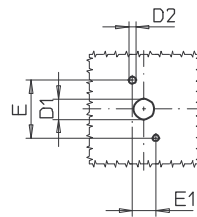
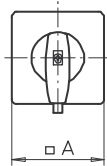
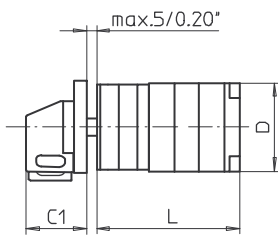
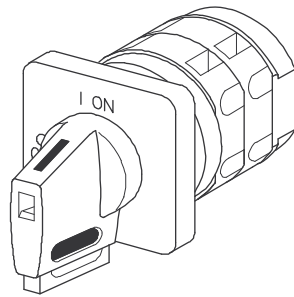
2VN4

Dimensions (mm)

Type	A	C1	D	D1	D2	E	E1	L with ... stages (max. 12)						each add. stage
								1	2	3	4	5	6	
M220	67	33	46	12	3,5	30	12,2	46	56	66	76	86	96	10
M221	67	33	46	12	3,5	30	12,2	49	62	75	88	101	114	13
M225	67	33	48	12	3,5	30	12,2	49	62	75	88	101	114	13
T225	67	33	50	12	3,5	30	12,2	45	66	81	96	111	126	15

Front Mounting Switches

sälzer



Product lines
M200/ T200

Front mounting switch

Two hole mounting
30 x 12,2 mm

V-operator module
48 x 48 mm

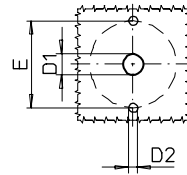
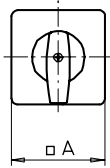
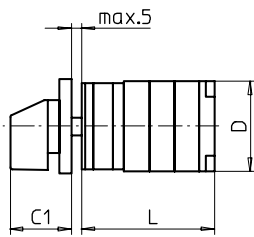
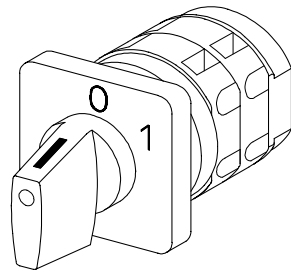
133V1 (IP66)

133V4 (IP66)

Complete switch	Poles	Product lines	Rated data (IEC 60947)			Order code number								
			Operational current I _e	Operational power at 380–440 V										
			AC-21A A	AC-23A kW	AC-3 kW									
Main Switches	1 ... 24	M200	20	7,5	5,5	M220 - 61 ... - 133V1								
Switching angle 90°			25	11	7,5	M225 - 61 ... - 133V1								
OFF position padlockable 09h	1 ... 24	T200	32	15	11	T225 - 61 ... - 133V1								
Main/Emergency-Off Switches	1 ... 24	M200	20	7,5	5,5	M220 - 61 ... - 133V4								
Switching angle 90°			25	11	7,5	M225 - 61 ... - 133V4								
OFF position padlockable 09h	1 ... 24	T200	32	15	11	T225 - 61 ... - 133V4								
SMD modules for basic switch														
Mounting form module for 133V.			M200/ T200			BFB2 - 503								
V-operator module 48 x 48 mm, mounting form 133V1						2UV1 - 09								
Escutcheon black, handle black														
Legend plate silver, operator module 133V1						FAS2 - 9078								
V-operator module 48 x 48 mm, mounting form 133V4						2UV4 - 09								
Escutcheon black, handle red														
Legend plate yellow, operator module 133V4						FBS2 - 9078								
Dimensions (mm)														
Type	A	C1	D	D1	D2	E	E1	L with ... stages (max. 12)						each add. stage
								1	2	3	4	5	6	
M220	48	32	46	12	3,5	30	12,2	46	56	66	76	86	96	10
M221	48	32	46	12	3,5	30	12,2	49	62	75	88	101	114	13
M225	48	32	48	12	3,5	30	12,2	49	62	75	88	101	114	13
T225	48	32	50	12	3,5	30	12,2	45	66	81	96	111	126	15

Front Mounting Switches

sälzer



Product lines
M200 / T200

Front mounting switch
Escutcheon 48 x 48 mm

Two hole mounting
ø 31 mm

140M1 (IP66)

Complete switch	Poles	Product line	Rated data (IEC 60947)			Order code number
			Operational current I _e	Operational power at 380–440 V		
			AC-21A A	AC-23A kW	AC-3 kW	
Rotary Cam Switches Switching angle 30°/45°/60°/90°	1 ... 24	M200	20	7,5	5,5	M220 - 61 ... - 140M1
			25	11	7,5	M225 - 61 ... - 140M1
	1 ... 24	T200	32	15	11	T225 - 61 ... - 140M1

SMD modules for basic switch

Mounting form module for 140M1

M200 / T200

BFA2 - 140

M-operator module 48x48 mm, mounting form 140M1

2QM1

Legend plate silver, operator module 140M1

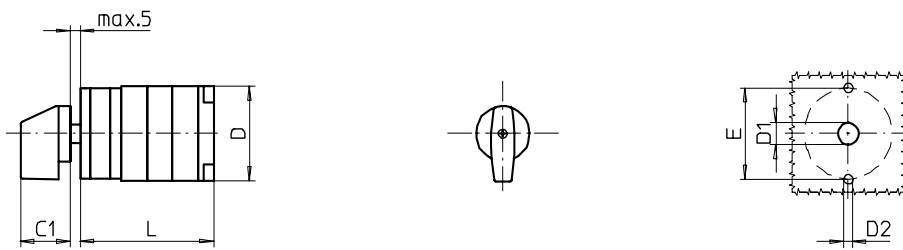
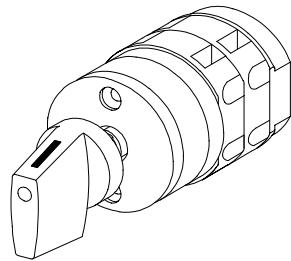
FAS2-....

Dimensions (mm)

Product lines	A	C1	D	D1	D2	E	L with ... stages (max. 12)							each add. stage
							1	2	3	4	5	6	7	
M220	48	32	46	12	4,5	31	40	50	60	70	80	90	100	10
M221	48	32	46	12	4,5	31	43	56	69	82	95	108	121	13
M225	48	32	48	12	4,5	31	43	56	69	82	95	108	121	13
T225	48	32	50	12	4,5	31	45	60	75	90	105	120	135	15

Front Mounting Switches

sälzer



Product lines
M200 / T200

Front mounting switch
Without escutcheon

Two hole mounting
ø 31 mm

141M1 (IP66)

Complete switch	Poles	Product line	Rated data (IEC 60947)			Order code number
			Operational current I _e	Operational power at 380–440 V		
			AC-21A A	AC-23A kW	AC-3 kW	
Rotary Cam Switches Switching angle 30°/45°/60°/90°	1 ... 24	M200	20	7,5	5,5	M220 - 61 ... - 141M1
			25	11	7,5	M225 - 61 ... - 141M1
	1 ... 24	T200	32	15	11	T225 - 61 ... - 141M1

SMD modules for basic switch

Mounting form module for 141M1
(Shaft shortened by 5 mm)

M200 / T200

**BFA2 - 141
2XM1**

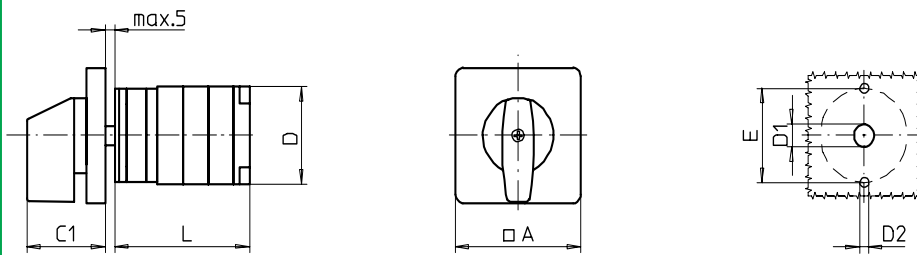
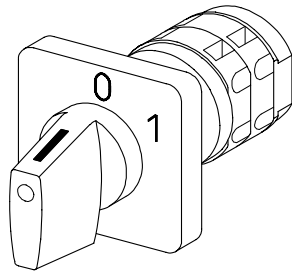
M-handle black, mounting form 141M1
(Without escutcheon/without legend plate)

Dimensions (mm)

Product lines	C1	D	D1	D2	E	L with ... stages (max. 12)							each add. stage
						1	2	3	4	5	6	7	
M220	25	46	12	4,5	31	40	50	60	70	80	90	100	10
M221	25	46	12	4,5	31	43	56	69	82	95	108	121	13
M225	25	48	12	4,5	31	43	56	69	82	95	108	121	13
T225	25	50	12	4,5	31	45	60	75	90	105	120	135	15

Front Mounting Switches

sälzer



Product lines
M200 / T200

Front mounting switch
Operator module of next size
Escutcheon 64 x 64 mm

Two hole mounting
ø 31 mm

142M1 (IP66)

Complete switch	Poles	Product line	Rated data (IEC 60947)			Order code number
			Operational current I _e	Operational power at 380–440 V		
			AC-21A A	AC-23A kW	AC-3 kW	
Rotary Cam Switches Switching angle 30°/45°/60°/90°	1 ... 24	M200	20	7,5	5,5	M220 - 61 ... - 142M1
			25	11	7,5	M225 - 61 ... - 142M1
	1 ... 24	T200	32	15	11	T225 - 61 ... - 142M1

SMD modules for basic switch

Mounting form module for 142M1

M-operator module 64 x 64 mm, mounting form 142M1

Legend plate silver, operator module 142M1

M200 / T200

BFA2 - 142

4KM1

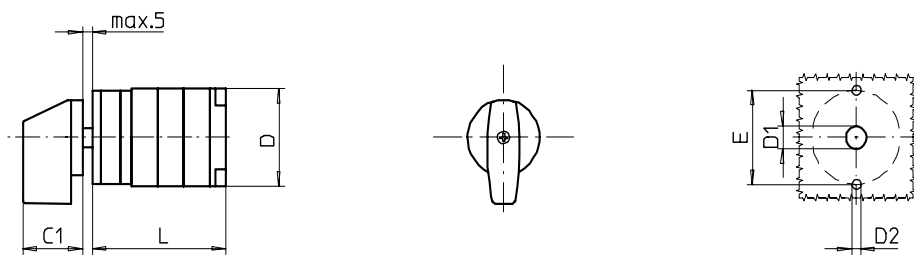
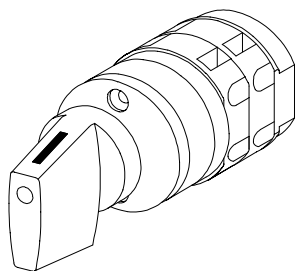
FAS4-....

Dimensions (mm)

Product lines	A	C1	D	D1	D2	E	L with ... stages (max. 12)							each add. stage
							1	2	3	4	5	6	7	
M220	64	39	46	15	5	31	40	50	60	70	80	90	100	10
M221	64	39	46	15	5	31	43	56	69	82	95	108	121	13
M225	64	39	48	15	5	31	43	56	69	82	95	108	121	13
T225	64	39	50	15	5	31	45	60	75	90	105	120	135	15

Front Mounting Switches

sälzer



Product lines
M200 / T200

Front mounting switch
Operator module of next size
Without escutcheon

Two hole mounting
ø 31 mm

143M1 (IP66)

Complete switch	Poles	Product line	Rated data (IEC 60947)			Order code number
			Operational current I _e	Operational power at 380–440 V		
			AC-21A A	AC-23A kW	AC-3 kW	
Rotary Cam Switches Switching angle 30°/45°/60°/90°	1 ... 24	M200	20	7,5	5,5	M220 - 61 ... - 143M1
			25	11	7,5	M225 - 61 ... - 143M1
	1 ... 24	T200	32	15	11	T225 - 61 ... - 143M1

SMD modules for basic switch

Mounting form module for 143M1
(Shaft shortened by 5 mm)

M200 / T200

BFA2 - 143

M-handle black, mounting form 143M1
(Without escutcheon/without legend plate)

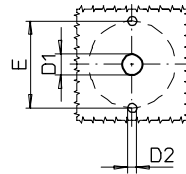
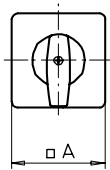
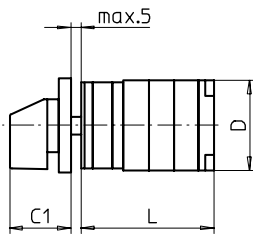
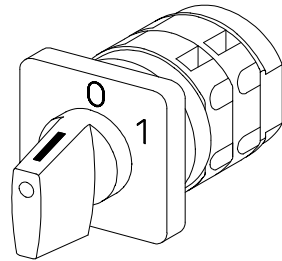
4XM1

Dimensions (mm)

Product lines	C1	D	D1	D2	E	L with ... stages (max. 12)							each add. stage
						1	2	3	4	5	6	7	
M220	30	46	12	4,5	31	40	50	60	70	80	90	100	10
M221	30	46	12	4,5	31	43	56	69	82	95	108	121	13
M225	30	48	12	4,5	31	43	56	69	82	95	108	121	13
T225	30	50	12	4,5	31	45	60	75	90	105	120	135	15

Front Mounting Switches

sälzer



Product lines
M200 / T200

Front mounting switch
With escutcheon 48 x 48 mm

Two hole mounting
ø 31 mm

Hexagon steel shaft

144M1 (IP66)

Complete switch	Poles	Product line	Rated data (IEC 60947)			Order code number
			Operational current I _e	Operational power at 380–440 V		
			AC-21A A	AC-23A kW	AC-3 kW	
Rotary Cam Switches Switching angle 30°/45°/60°/90°	1 ... 24	M200	20	7,5	5,5	M220 - 61 ... - 144M1
			25	11	7,5	M225 - 61 ... - 144M1
	1 ... 24	T200	32	15	11	T225 - 61 ... - 144M1

SMD modules for basic switch

Mounting form module for 144M1

M200 / T200

BFA2 - 144

M-operator module 48x48 mm, mounting form 144M1

2RM1

Legend plate silver, operator module 144M1

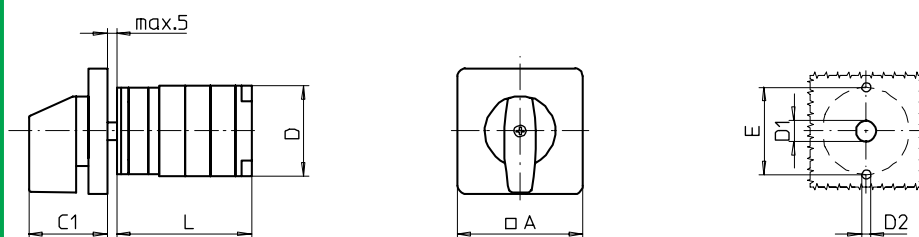
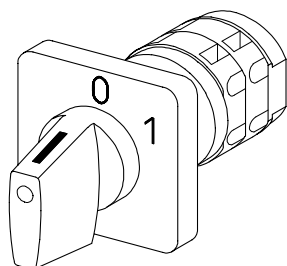
FAS2-....

Dimensions (mm)

Product lines	A	C1	D	D1	D2	E	L with ... stages (max. 12)							each add. stage
							1	2	3	4	5	6	7	
M220	48	32	46	12	4,5	31	40	50	60	70	80	90	100	10
M221	48	32	46	12	4,5	31	43	56	69	82	95	108	121	13
M225	48	32	48	12	4,5	31	43	56	69	82	95	108	121	13
T225	48	32	50	12	4,5	31	45	60	75	90	105	120	135	15

Front Mounting Switches

sälzer



Product lines
M200 / T200

Front mounting switch
Operator module of next size
Escutcheon 64 x 64 mm

Two hole mounting
ø 31 mm

Hexagon steel shaft

145M1 (IP66)

Complete switch	Poles	Product line	Rated data (IEC 60947)			Order code number
			Operational current I _e	Operational power at 380–440 V		
			AC-21A A	AC-23A kW	AC-3 kW	
Rotary Cam Switches Switching angle 30°/45°/60°/90°	1 ... 24	M200	20	7,5	5,5	M220 - 61 ... - 145M1
			25	11	7,5	M225 - 61 ... - 145M1
	1 ... 24	T200	32	15	11	T225 - 61 ... - 145M1

SMD modules for basic switch		
Mounting form module for 145M1	M200 / T200	BFA2 - 145
M-operator module 64 x 64 mm, mounting form 145M1		4LM1
Legend plate silver, operator module 145M1		FAS4-....

Product lines	Dimensions (mm)													
	A	C1	D	D1	D2	E	L with ... stages (max. 12)							each add. stage
							1	2	3	4	5	6	7	
M220	64	39	46	15	5	31	40	50	60	70	80	90	100	10
M221	64	39	46	15	5	31	43	56	69	82	95	108	121	13
M225	64	39	48	15	5	31	43	56	69	82	95	108	121	13
T225	64	39	50	15	5	31	45	60	75	90	105	120	135	15

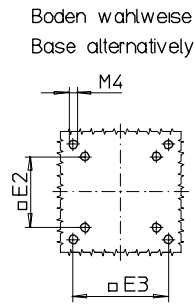
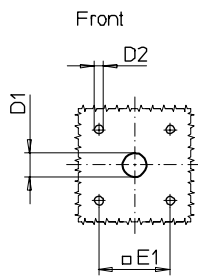
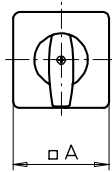
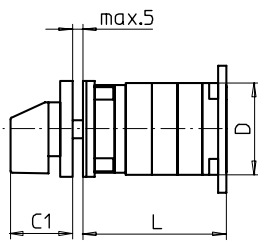
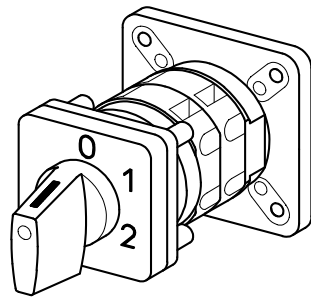


Section B

	Page	
	from	to
Base / front mounting	B1-1	B1-13
Door clutch with modular shaft extension Four hole front mounting	B2-1	B2-23
Door interlock with modular shaft extension Four hole front mounting N/PE connection links	B3-1	B3-23

Base Mounting Switches

sälzer



Boden wahlweise
Base alternatively

Product lines
M200 / T200

Base mounting switch

Base/front mounting

Four hole mounting
36 x 36 mm front

002M1 (IP66)

Complete switch	Poles	Product line	Rated data (IEC 60947)			Order code number
			Operational current I _e	Operational power at 380–440 V		
			AC-21A A	AC-23A kW	AC-3 kW	
Rotary Cam Switches Switching angle 30°/45°/60°/90°	1 ... 24	M200	20	7,5	5,5	M220 - 61 ... - 002M1
			25	11	7,5	M225 - 61 ... - 002M1
	1 ... 24	T200	32	15	11	T225 - 61 ... - 002M1

SMD modules for basic switch

Mounting form module for 002M1

M200 / T200

BFA2 - 002

M-operator module 48 x 48 mm, mounting form 002M1

2AM1

Escutcheon black, handle black

Legend plate silver, operator module 002M1

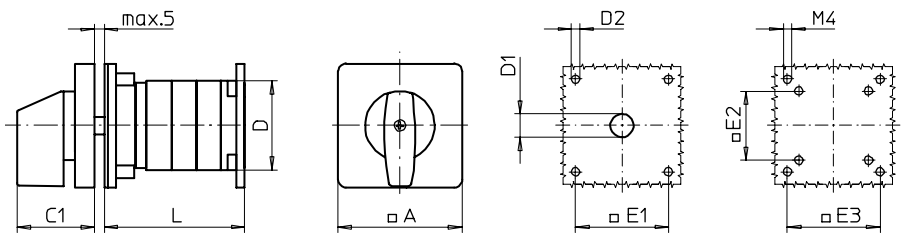
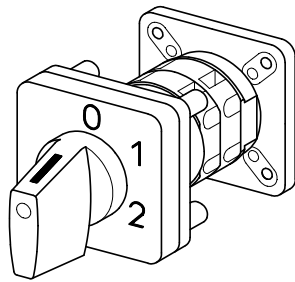
FAS2 - (FA number)

Dimensions (mm)

Product lines	A	C1	D	D1	D2	E1	E2	L with ... stages (max. 12)					each add. stage	
								E3	1	2	3	4		5
M220	48	32	46	12	4,5	36	36	48	44	54	64	74	84	10
M221	48	32	46	12	4,5	36	36	48	47	60	73	86	99	13
M225	48	32	48	12	4,5	36	36	48	47	60	73	86	99	13
T225	48	32	50	12	4,5	36	36	48	49	64	79	94	109	15

Base Mounting Switches

sälzer



Product lines
M200 / T200

Base mounting switch

Base/front mounting

Four hole mounting
48 x 48 mm front

012M1 (IP66)

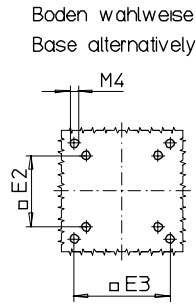
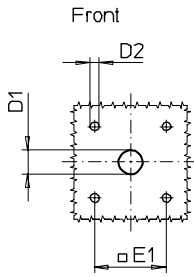
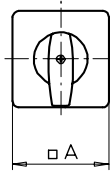
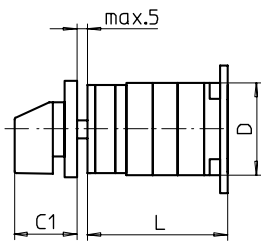
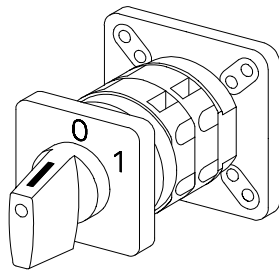
Complete switch	Poles	Product line	Rated data (IEC 60947)			Order code number
			Operational current I _e	Operational power at 380–440 V		
			AC-21A A	AC-23A kW	AC-3 kW	
Rotary Cam Switches Switching angle 30°/45°/60°/90°	1 ... 24	M200	20	7,5	5,5	M220 - 61 ... - 012M1
			25	11	7,5	M225 - 61 ... - 012M1
	1 ... 24	T200	32	15	11	T225 - 61 ... - 012M1

SMD modules for basic switch			
Mounting form module for 012M1		M200 / T200	BFA2 - 012
M-operator module 64 x 64 mm, mounting form 012M1			4AM1
Escutcheon black, handle black			
Legend plate silver, operator module 022M1			FAS4 - (FA number)

Dimensions (mm)														
Product lines	A	C1	D	D1	D2	E1	E2	L with ... stages (max. 12)					each add. stage	
								E3	1	2	3	4		5
M220	48	32	46	12	4,5	48	36	48	44	54	64	74	84	10
M221	48	32	46	12	4,5	48	36	48	47	60	73	86	99	13
M225	48	32	48	12	4,5	48	36	48	47	60	73	86	99	13
T225	48	32	50	12	4,5	48	36	48	49	64	79	94	109	15

Base Mounting Switches

sälzer



Product lines
M200 / T200

Base mounting switch

Base mounting
Four hole mounting
36 x 36 mm / 48 x 48 mm

M-operator module
Escutcheon 48 x 48 mm

155M1 (IP40)

Complete switch	Poles	Product line	Rated data (IEC 60947)			Order code number
			Operational current I _e	Operational power at 380–440 V		
			AC-21A A	AC-23A kW	AC-3 kW	
Rotary Cam Switches Switching angle 30°/45°/60°/90°	1 ... 24	M200	20	7,5	5,5	M220 - 61 ... - 155M1
			25	11	7,5	M225 - 61 ... - 155M1
	1 ... 24	T200	32	15	11	T225 - 61 ... - 155M1

SMD modules for basic switch

Mounting form module for 155M1

M-operator module 48 x 48 mm, mounting form 155M1

Escutcheon black, handle black

Legend plate silver, operator module 155M1

M200 / T200

BFA2 - 155

2AM1

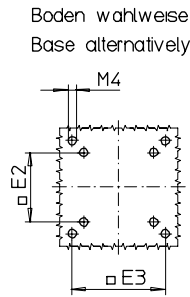
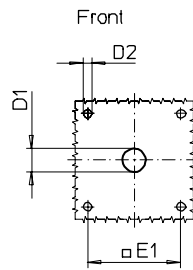
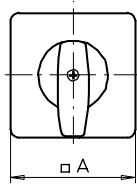
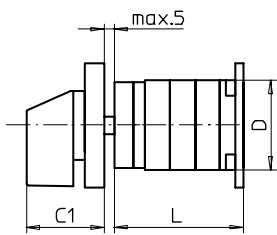
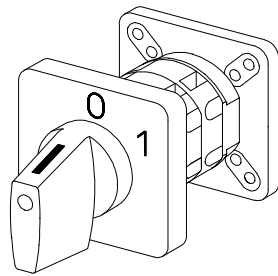
FAS2 - (FA number)

Dimensions (mm)

Product lines	A	C1	D	D1	D2	E1	E2	L with ... stages (max. 12)					each add. stage	
								E3	1	2	3	4		5
M220	48	32	46	12	4,5	36	36	48	42	52	62	72	82	10
M221	48	32	46	12	4,5	36	36	48	45	58	71	84	97	13
M225	48	32	48	12	4,5	36	36	48	45	58	71	84	97	13
T225	48	32	50	12	4,5	36	36	48	47	62	77	92	107	15

Base Mounting Switches

sälzer



Boden wahlweise
Base alternatively

Product lines
M200 / T200

Base mounting switch
Operator module of next size

Base mounting
Four hole mounting

36 x 36 mm / 48 x 48 mm

M-operator module

Escutcheon 64 x 64 mm

156M1 (IP40)

Complete switch	Poles	Product line	Rated data (IEC 60947)			Order code number
			Operational current I _e	Operational power at 380–440 V		
			AC-21A A	AC-23A kW	AC-3 kW	
Rotary Cam Switches Switching angle 30°/45°/60°/90°	1 ... 24	M200	20	7,5	5,5	M220 - 61 ... - 156M1
			25	11	7,5	M225 - 61 ... - 156M1
	1 ... 24	T200	32	15	11	T225 - 61 ... - 156M1

SMD modules for basic switch

Mounting form module for 156M1

M200 / T200

BFA2 - 156

M-operator module 64 x 64 mm, mounting form 156M1

4AM1

Escutcheon black, handle black

Legend plate silver, operator module 156M1

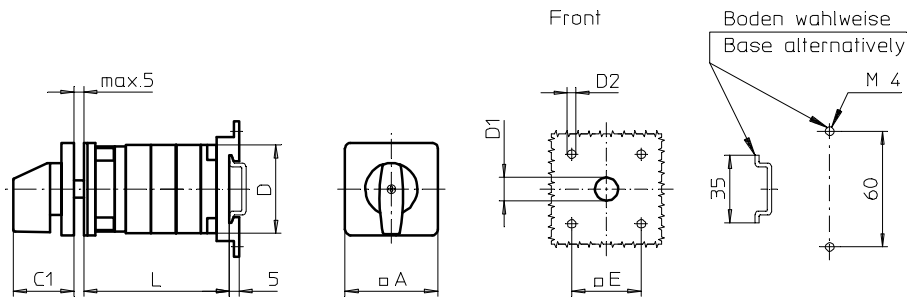
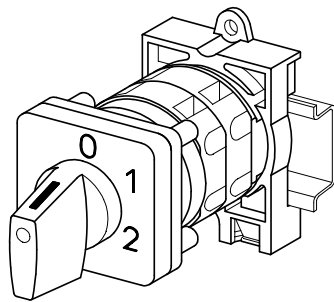
FAS4 - (FA number)

Dimensions (mm)

Product lines	A	C1	D	D1	D2	E1	E2	L with ... stages (max. 12)					each add. stage	
								E3	1	2	3	4		5
M220	64	39	46	12	4,5	48	36	48	42	52	62	72	82	10
M221	64	39	46	12	4,5	48	36	48	45	58	71	84	97	13
M225	64	39	48	12	4,5	48	36	48	45	58	71	84	97	13
T225	64	39	50	12	4,5	48	36	48	47	62	77	92	107	15

Base Mounting Switches

sälzer



Product lines
M200 / T200

Base mounting switch

Base/front mounting
Snap on mounting

Four hole mounting
36 x 36 mm front

021M1 (IP66)

Complete switch	Poles	Product line	Rated data (IEC 60947)			Order code number
			Operational current I_e	Operational power at 380–440 V		
			AC-21A A	AC-23A kW	AC-3 kW	
Rotary Cam Switches Switching angle 30°/45°/60°/90°	1 ... 24	M200	20	7,5	5,5	M220 - 61 ... - 021M1
			25	11	7,5	M225 - 61 ... - 021M1
	1 ... 24	T200	32	15	11	T225 - 61 ... - 021M1

SMD modules for basic switch

Mounting form module for 021M1

M200 / T200

BFA2 - 021

M-operator module 48 x 48 mm, mounting form 021M1

2AM1

Escutcheon black, handle black

Legend plate silver, operator module 021M1

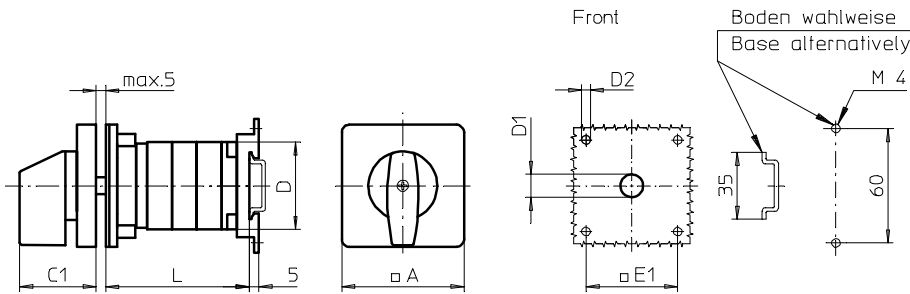
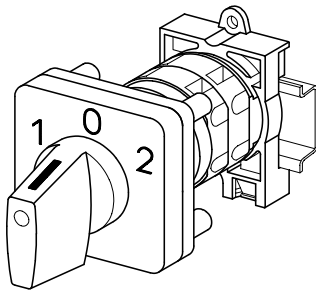
FAS2 - (FA number)

Dimensions (mm)

Product lines	A	C1	D	D1	D2	E	L with ... stages (max. 12)					each add. stage		
							1	2	3	4	5		6	7
M220	48	32	46	12	4,5	36	43	53	63	73	83	93	103	10
M221	48	32	46	12	4,5	36	46	59	72	85	98	111	124	13
M225	48	32	48	12	4,5	36	46	59	72	85	98	111	124	13
T225	48	32	50	12	4,5	36	48	63	78	93	108	123	138	15

Base Mounting Switches

sälzer



Product lines
M200 / T200

Base mounting switch

Base/front mounting
Snap on mounting

Four hole mounting
48 x 48 mm front

022M1 (IP66)

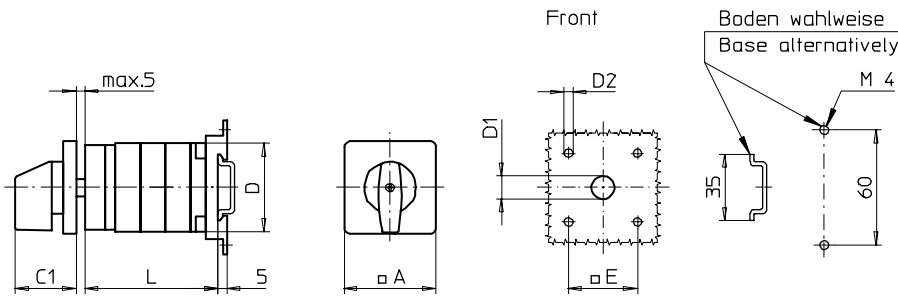
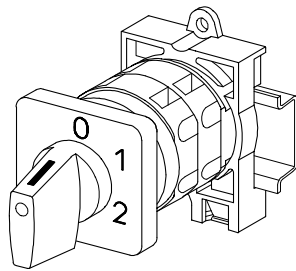
Complete switch	Poles	Product line	Rated data (IEC 60947)			Order code number
			Operational current I _e	Operational power at 380–440 V		
			AC-21A A	AC-23A kW	AC-3 kW	
Rotary Cam Switches Switching angle 30°/45°/60°/90°	1 ... 24	M200	20	7,5	5,5	M220 - 61 ... - 022M1
			25	11	7,5	M225 - 61 ... - 022M1
	1 ... 24	T200	32	15	11	T225 - 61 ... - 022M1

SMD modules for basic switch			
Mounting form module for 022M1		M200 / T200	BFA2 - 022
M-operator module 64 x 64 mm, mounting form 022M1			4AM1
Escutcheon black, handle black			
Legend plate silver, operator module 022M1			FAS4 - (FA number)

Dimensions (mm)														
Product lines	A	C1	D	D1	D2	E	L with ... stages (max. 12)					each add. stage		
							1	2	3	4	5	6	7	
M220	64	39	46	15	5	48	43	53	63	73	83	93	103	10
M221	64	39	46	15	5	48	46	59	72	85	98	111	124	13
M225	64	39	48	15	5	48	46	59	72	85	98	111	124	13
T225	64	39	50	15	5	48	48	63	78	93	108	123	138	15

Base Mounting Switches

sälzer



Product lines
M200 / T200

Base mounting switch

Base/front mounting
Snap on mounting

M-operator module
48 x 48 mm Escutcheon

157M1 (IP40)

Complete switch	Poles	Product line	Rated data (IEC 60947)			Order code number
			Operational current I _e	Operational power at 380–440 V		
			AC-21A A	AC-23A kW	AC-3 kW	
Rotary Cam Switches Switching angle 30°/45°/60°/90°	1 ... 24	M200	20	7,5	5,5	M220 - 61 ... - 157M1
			25	11	7,5	M225 - 61 ... - 157M1
	1 ... 24	T200	32	15	11	T225 - 61 ... - 157M1

SMD modules for basic switch

Mounting form module for 157M1

M200 / T200

BFA2 - 157

M-operator module 48 x 48 mm, mounting form 157M1

2AM1

Escutcheon black, handle black

Legend plate silver, operator module 157M1

FAS2 - (FA number)

Dimensions (mm)

Product lines	A	C1	D	D1	D2	E	L with ... stages (max. 12)					each add. stage		
							1	2	3	4	5		6	7
M220	48	32	46	12	4,5	36	41	51	61	71	81	91	101	10
M221	48	32	46	12	4,5	36	44	57	70	83	96	109	122	13
M225	48	32	48	12	4,5	36	44	57	70	83	96	109	122	13
T225	48	32	50	12	4,5	36	46	61	76	91	106	121	136	15

Base Mounting Switches

sälzer

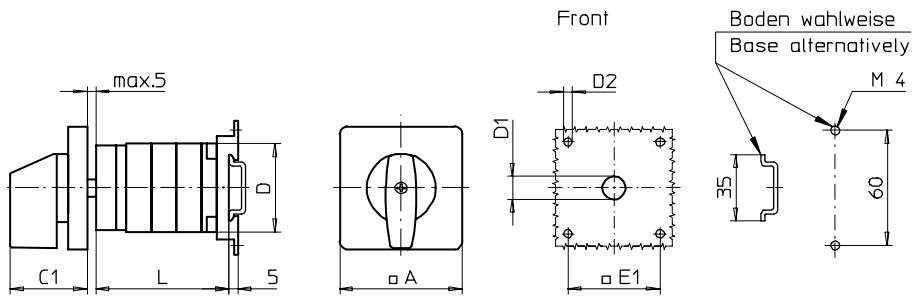
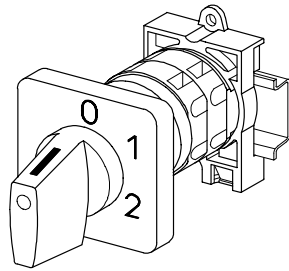
Product lines
M200 / T200

Base mounting switch
Operator module of next size

Base/front mounting
Snap on mounting

M-operator module
Escutcheon 64 x 64 mm

158M1 (IP40)



Complete switch	Poles	Product line	Rated data (IEC 60947)			Order code number
			Operational current I _e	Operational power at 380–440 V		
			AC-21A A	AC-23A kW	AC-3 kW	
Rotary Cam Switches Switching angle 30°/45°/60°/90°	1 ... 24	M200	20	7,5	5,5	M220 - 61 ... - 158M1
			25	11	7,5	M225 - 61 ... - 158M1
	1 ... 24	T200	32	15	11	T225 - 61 ... - 158M1

SMD modules for basic switch

Mounting form module for 158M1

M200 / T200

BFA2 - 158

M-operator module 48 x 48 mm, mounting form 158M1

4AM1

Escutcheon black, handle black

Legend plate silver, operator module 158M1

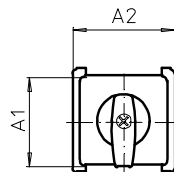
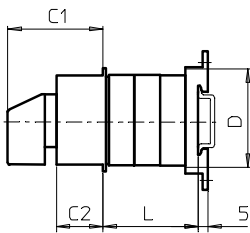
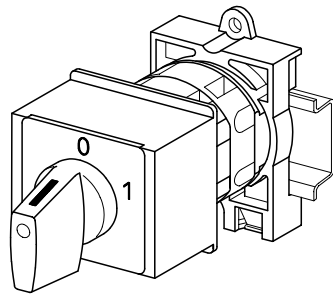
FAS4 - (FA number)

Dimensions (mm)

Product lines	A	C1	D	D1	D2	E	L with ... stages (max. 12)					each add. stage		
							1	2	3	4	5		6	7
M220	64	39	46	12	4,5	48	41	51	61	71	81	91	101	10
M221	64	39	46	12	4,5	48	44	57	70	83	96	109	122	13
M225	64	39	48	12	4,5	48	44	57	70	83	96	109	122	13
T225	64	39	50	12	4,5	48	46	61	76	91	106	121	136	15

Base Mounting Switches

sälzer



Product lines
M200 / T200

Base mounting switch

Base/front mounting
Snap on mounting

DIN rail
with cover plate
45 mm aperture

026M1 (IP40)

Complete switch	Poles	Product line	Rated data (IEC 60947)			Order code number
			Operational current I _e	Operational power at 380–440 V		
			AC-21A A	AC-23A kW	AC-3 kW	
Rotary Cam Switches Switching angle 30°/45°/60°/90°	1 ... 24	M200	20	7,5	5,5	M220 - 61 ... - 026M1
			25	11	7,5	M225 - 61 ... - 026M1
	1 ... 24	T200	32	15	11	T225 - 61 ... - 026M1

SMD modules for basic switch

Mounting form/operator module grey
With M-handle black, mounting form 026M1

M200 / T200

BFC2 - 026M1

Legend plate silver, mounting form/operator module 026M1

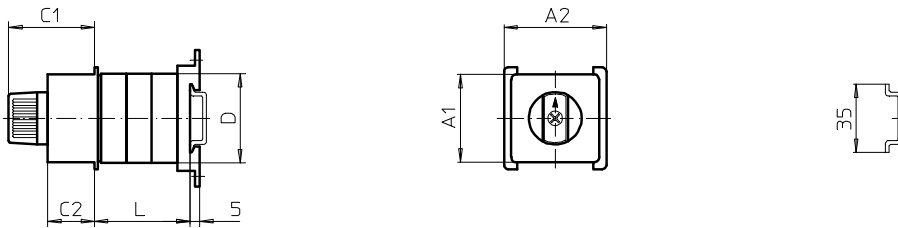
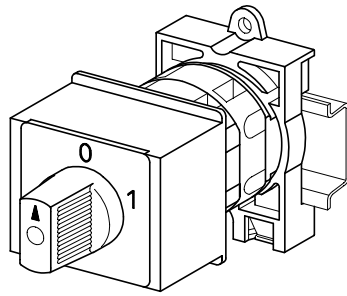
FAV2 - (FA number)

Dimensions (mm)

Product lines	A1	A2	C1	C2	D	L with ... stages (max. 12)							each add. stage
						1	2	3	4	5	6	7	
M220	45	52,5	50	24	46	25	35	45	55	65	75	85	10
M221	45	52,5	50	24	46	28	41	54	67	80	93	106	13
M225	45	52,5	50	24	48	28	41	54	67	80	93	106	13
T225	45	52,5	50	24	50	30	45	60	75	90	105	120	15

Base Mounting Switches

sälzer



Product lines
M200 / T200

Base mounting switch

Base/front mounting
Snap on mounting

DIN rail
with cover plate
45 mm aperture

026N2 (IP40)

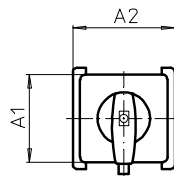
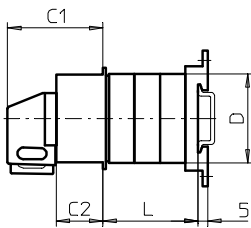
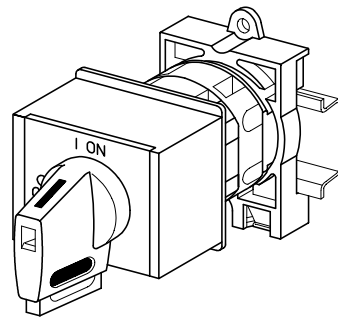
Complete switch	Poles	Product line	Rated data (IEC 60947)			Order code number
			Operational current I _e	Operational power at 380–440 V		
			AC-21A A	AC-23A kW	AC-3 kW	
Rotary Cam Switches Switching angle 30°/45°/60°/90°	1 ... 24	M200	20	7,5	5,5	M220 - 61 ... - 026N2
			25	11	7,5	M225 - 61 ... - 026N2
	1 ... 24	T200	32	15	11	T225 - 61 ... - 026N2

SMD modules for basic switch		
Mounting form/operator module grey with N-handle grey, mounting form 026N2	M200 / T200	BFC2 - 026N2
Legend plate silver, mounting form/operator module 026N2		FAV2 - (FA number)

Dimensions (mm)													
Product lines	A1	A2	C1	C2	D	L with ... stages (max. 12)							each add. stage
						1	2	3	4	5	6	7	
M220	45	52,5	45	24	46	25	35	45	55	65	75	85	10
M221	45	52,5	45	24	46	28	41	54	67	80	93	106	13
M225	45	52,5	45	24	48	28	41	54	67	80	93	106	13
T225	45	52,5	45	24	50	30	45	60	75	90	105	120	15

Base Mounting Switches

sälzer



Product lines
M200 / T200

Base mounting switch

Base/front mounting
Snap on mounting

DIN rail
with cover plate
45 mm aperture

026V1 (IP40)

026V4 (IP40)

Complete switch	Poles	Product line	Rated data (IEC 60947)			Order code number
			Operational current I _e	Operational power at 380–440 V		
			AC-21A A	AC-23A kW	AC-3 kW	
Main Switches	1 ... 24	M200	20	7,5	5,5	M220 - 61 ... - 026V1
Switching angle 90°			25	11	7,5	M225 - 61 ... - 026V1
OFF position padlockable 09h	1 ... 24	T200	32	15	11	T225 - 61 ... - 026V1
Main/Emergency-Off Switches	1 ... 24	M200	20	7,5	5,5	M220 - 61 ... - 026V4
Switching angle 90°			25	11	7,5	M225 - 61 ... - 026V4
OFF position padlockable 09h	1 ... 24	T200	32	15	11	T225 - 61 ... - 026V4

SMD modules for basic switch

Mounting form/operator module grey with V-handle black, mounting form 026V1

M200 / T200

BFC2 - 026V1

FAV2 - (FA number)

Legend plate silver, mounting form/operator module 026V1

BFC2 - 026V4

Mounting form/operator module grey with V-handle red, mounting form 026V4

FBV2 - (FA number)

Legend plate yellow, mounting form/operator module 026V4

Dimensions (mm)

Product lines	A1	A2	C1	C2	D	L with ... stages (max. 12)							each add. stage
						1	2	3	4	5	6	7	
M220	45	52,5	50	24	46	25	35	45	55	65	75	85	10
M221	45	52,5	50	24	46	28	41	54	67	80	93	106	13
M225	45	52,5	50	24	48	28	41	54	67	80	93	106	13
T225	45	52,5	50	24	50	30	45	60	75	90	105	120	15

Base Mounting Switches

sälzer

Product lines
M200 / T200

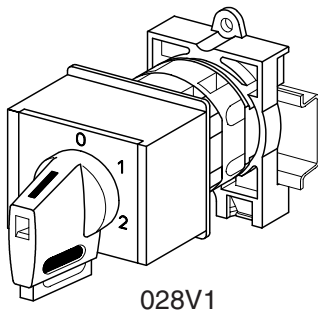
Base mounting switch

Base/front mounting
Snap on mounting

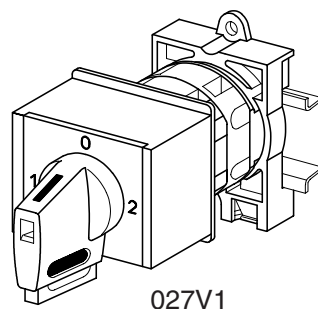
DIN rail
with cover plate
45 mm aperture

028V1 (IP40)

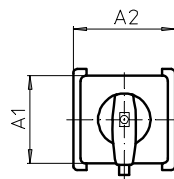
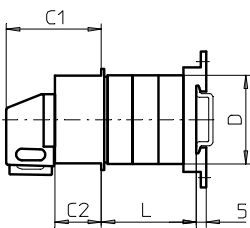
027V1 (IP40)



028V1



027V1



Complete switch	Poles	Product line	Rated data (IEC 60947)			Order code number
			Operational current I _e	Operational power at 380–440 V		
			AC-21A A	AC-23A kW	AC-3 kW	
Rotary Cam Switches Switching angle 30°/45°/60°/90° Padlockable 12h	1 ... 24	M200 / T200	20	7,5	5,5	M220 - 61 ... - 028V1
			25	11	7,5	M225 - 61 ... - 028V1
			32	15	11	T225 - 61 ... - 028V1
Rotary Cam Switches Switching angle 90° 3 positions padlockable (09h/12h/03h)	1 ... 24	M200 / T200	20	7,5	5,5	M220 - 61 ... - 027V1
			25	11	7,5	M225 - 61 ... - 027V1
			32	15	11	T225 - 61 ... - 027V1

SMD modules for basic switch

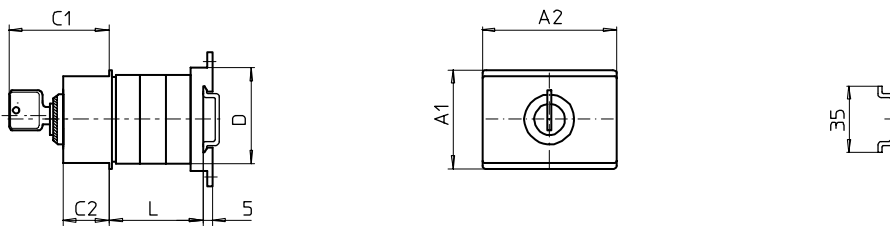
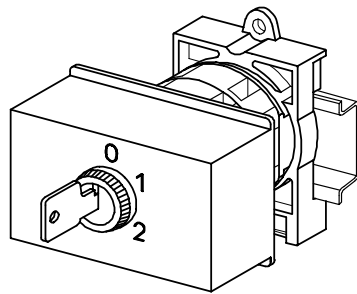
Mounting form/operator module grey with V-handle black, mounting form 028V1	M200 / T200	BFB2 - 028V1
Mounting form/operator module grey with V-handle black, mounting form 027V1		BFB2 - 027V1
Legend plate silver, mounting form/operator module 026V1/ 027V1		FAV2 - (FA number)

Dimensions (mm)

Product lines	A1	A2	C1	C2	D	L with ... stages (max. 12)							each add. stage
						1	2	3	4	5	6	7	
M220	45	52,5	50	24	46	25	35	45	55	65	75	85	10
M221	45	52,5	50	24	46	28	41	54	67	80	93	106	13
M225	45	52,5	50	24	48	28	41	54	67	80	93	106	13
T225	45	52,5	50	24	50	30	45	60	75	90	105	120	15

Base Mounting Switches

sälzer



Product lines
M200 / T200

Base mounting switch

Base/front mounting
Snap on mounting

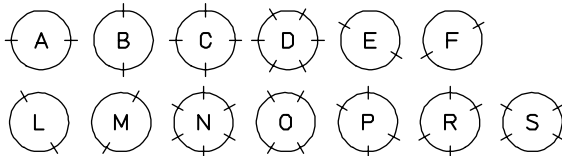
DIN rail
with cover plate
70x45 mm aperture

Key operated

V001. (IP40)

Complete switch	Poles	Product line	Rated data (IEC 60947)			Order code number
			Operational current I _e	Operational power at 380–440 V		
			AC-21A A	AC-23A kW	AC-3 kW	
Rotary Cam Switches Switching angle 60°/90° (30°/45° upon request)	1 ... 16	M200	20	7,5	5,5	M220 - 61 ... - V001.
	1 ... 12	T200	25	11	7,5	M225 - 61 ... - V001.
			32	15	11	T225 - 61 ... - V001.

The dot in the order code number of the complete mounting form/operator module must be replaced by the classification letter which identifies the key removable positions:



Lines indicate the key removable positions.

SMD modules for basic switch

Mounting form module for V001.
With key operator and imprinted switching positions
Key lock DOM, key number 7 D1, 2 keys
Further lock types and security lock on request.

M200 / T200

BFA2-V001-..... (FA number)

Dimensions (mm)

L with ... stages (M200: max. 12 / T200: max. 6)

Product lines	A1	A2	C1	C2	D	1	2	3	4	5	6	7	8
M220	45	70	61	29	46	31	41	51	61	71	81	91	101
M221	45	70	61	29	46	34	47	60	73	86	93	106	119
M225	45	70	61	29	48	34	47	60	73	86	93	106	119
T225	45	70	61	29	50	36	51	66	81	96	111	-	-

Base Mounting Switches

sälzer

Product lines
M200 / T200

Base mounting switch

Door clutch

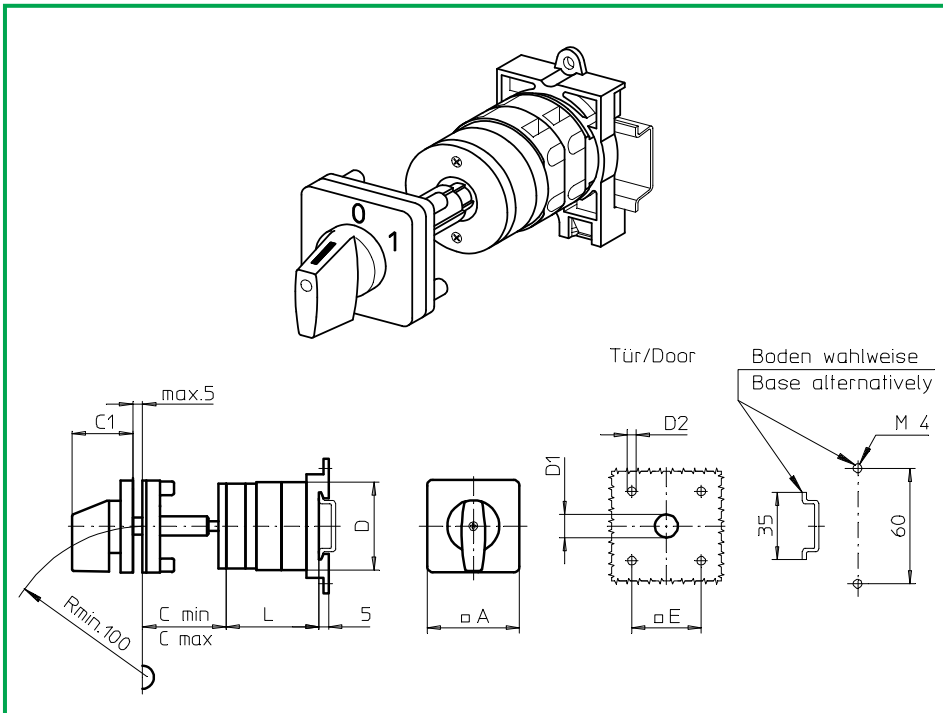
Modular shaft extension

Four hole mounting

36 x 36 mm front

Snap on mounting base plate

241M1 (IP66)



Complete switch

Poles

Product line

Rated data (IEC 60947)

Order code number

Operational current I_e Operational power at 380–440 V

AC-21A AC-23A AC-3
A kW kW

Rotary Cam Switches Switching angle 30°/45°/60°/90°	1 ... 24	M200	20	7,5	5,5	M220 - 61 ... - 241M1
			25	11	7,5	M225 - 61 ... - 241M1
	1 ... 24	T200	32	15	11	T225 - 61 ... - 241M1

SMD modules for basic switch

Mounting form module for 241M1

M200 / T200

BFB2 - 241

M-operator module 48 x 48 mm, mounting form 241M1

2AM1

Escutcheon black, handle black

Legend plate silver, operator module 241M1

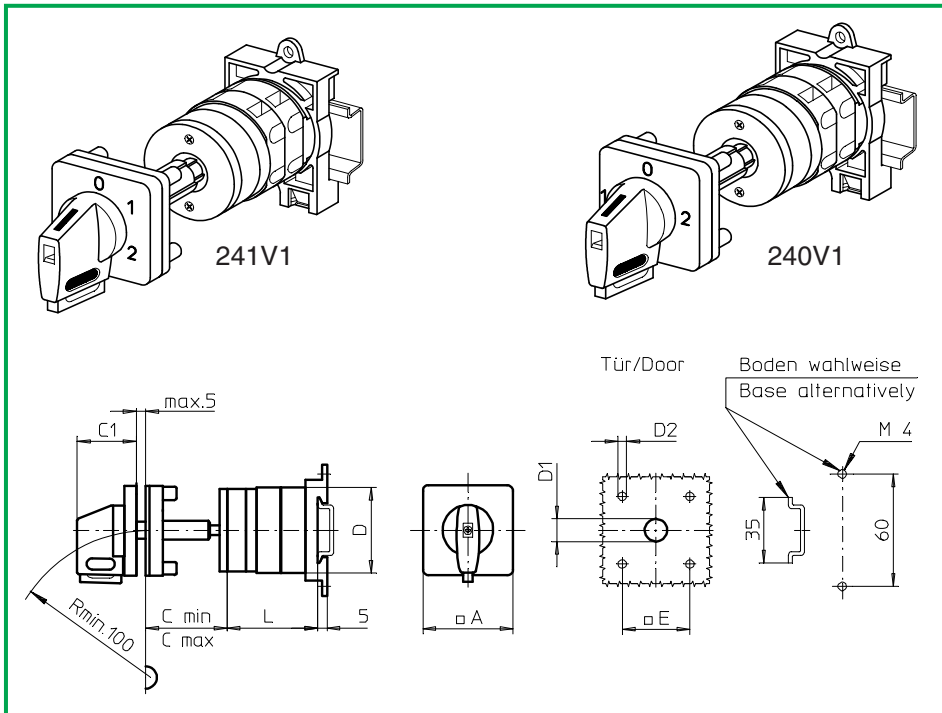
FAS2 - (FA number)

Dimensions (mm)

Product lines	A	Cmin	Cmax	C1	D	D1	D2	E	L with ... stages (max. 12)				each add. stage
									1	2	3	4	
M220	48	42	59	32	46	12	4,5	36	37	47	57	67	10
M221	48	42	59	32	46	12	4,5	36	40	53	66	79	13
M225	48	42	59	32	48	12	4,5	36	40	53	66	79	13
T225	48	42	59	32	50	12	4,5	36	42	57	72	87	15

Base Mounting Switches

sälzer



Product lines
M200 / T200

Base mounting switch

Door clutch
Modular shaft extension

Four hole mounting
36 x 36 mm front
Snap on mounting base plate

241V1 (IP66)
240V1 (IP66)

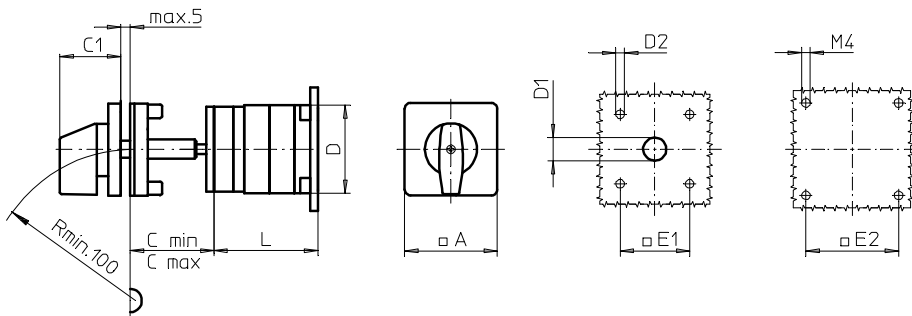
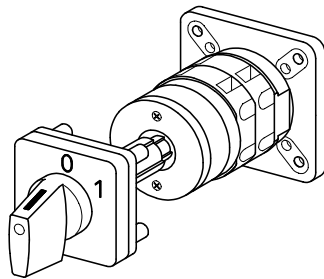
Complete switch	Poles	Product line	Rated data (IEC 60947)			Order code number
			Operational current I _e	Operational power at 380–440 V		
			AC-21A A	AC-23A kW	AC-3 kW	
Rotary Cam Switches Switching angle 30°/45°/60°/90° Padlockable 12h	1 ... 24	M200	20	7,5	5,5	M220 - 61 ... - 241V1
			25	11	7,5	M225 - 61 ... - 241V1
	1 ... 24	T200	32	15	11	T225 - 61 ... - 241V1
Rotary Cam Switches Switching angle 90° 3 positions padlockable (09h/12h/03h)	1 ... 24	M200	20	7,5	5,5	M220 - 61 ... - 240V1
			25	11	7,5	M225 - 61 ... - 240V1
	1 ... 24	T200	32	15	11	T225 - 61 ... - 240V1

SMD modules for basic switch			
Mounting form module for 241V1/ 240V1		M200 / T200	BFB2 - 241
V-operator module 48 x 48 mm, mounting form 241V1 Escutcheon black, handle black			2AV1 - 12
V-operator module 48 x 48 mm, mounting form 240V1 Escutcheon black, handle black			2AV1 - 99
Legend plate silver, operator module 241V1/ 240V1			FAS2 - (FA number)

Dimensions (mm)													
Product lines	A	C _{min}	C _{max}	C1	D	D1	D2	E	L with ... stages (max. 12)				each add. stage
									1	2	3	4	
M220	48	42	59	32	46	12	4,5	36	37	47	57	67	10
M221	48	42	59	32	46	12	4,5	36	40	53	66	79	13
M225	48	42	59	32	48	12	4,5	36	40	53	66	79	13
T225	48	42	59	32	50	12	4,5	36	42	57	72	87	15

Base Mounting Switches

sälzer



Product lines
M200 / T200

Base mounting switch

Door clutch
Modular shaft extension

Four hole mounting
36 x 36 mm front
48 x 48 mm base

041M1 (IP66)

Complete switch	Poles	Product line	Rated data (IEC 60947)			Order code number
			Operational current I _e	Operational power at 380–440 V		
			AC-21A A	AC-23A kW	AC-3 kW	
Rotary Cam Switches Switching angle 30°/45°/60°/90°	1 ... 24	M200	20	7,5	5,5	M220 - 61 ... - 041M1
			25	11	7,5	M225 - 61 ... - 041M1
	1 ... 24	T200	32	15	11	T225 - 61 ... - 041M1

SMD modules for basic switch			
Mounting form module for 041M1		M200 / T200	BFB2 - 041
M-operator module 48 x 48 mm, mounting form 041M1			2AM1
Escutcheon black, handle black			
Legend plate silver, operator module 041M1			FAS2 - (FA number)

Dimensions (mm)										L with ... stages (max. 12) each add. stage			
Product lines	A	C _{min}	C _{max}	C1	D	D1	D2	E1	E2	1	2	3	
M220	48	42	59	32	46	12	4,5	36	48	38	48	58	10
M221	48	42	59	32	46	12	4,5	36	48	41	54	67	13
M225	48	42	59	32	48	12	4,5	36	48	41	54	67	13
T225	48	42	59	32	50	12	4,5	36	48	43	58	73	15

Base Mounting Switches

sälzer

Product lines
M200 / T200

Base mounting switch

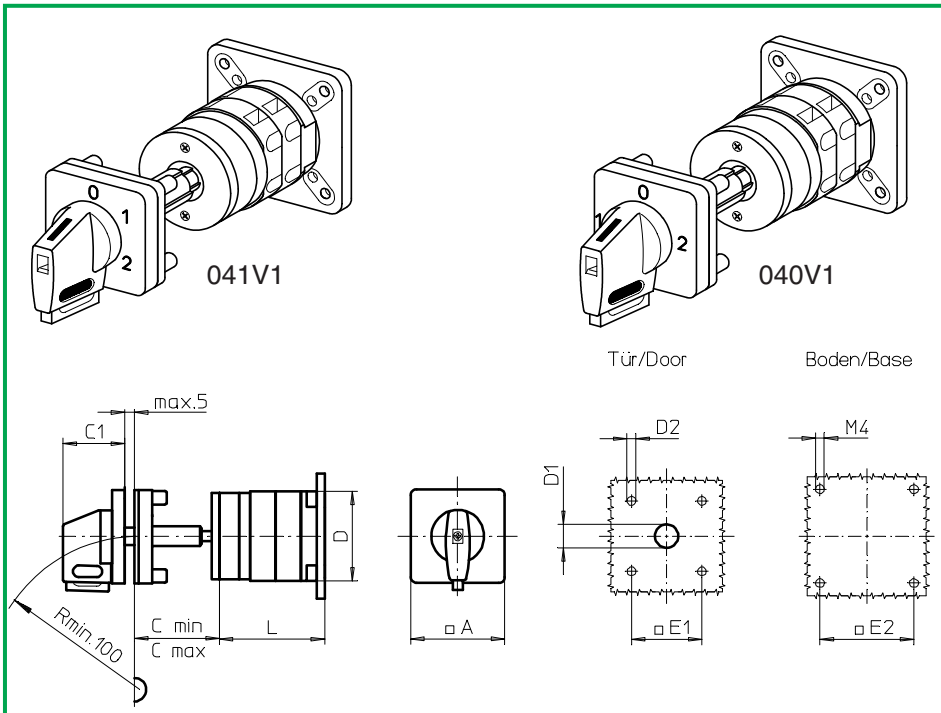
Door clutch
Modular shaft extension

Four hole mounting

36 x 36 mm front
48 x 48 mm base

041V1 (IP66)

040V1 (IP66)



Complete switch	Poles	Product line	Rated data (IEC 60947)			Order code number
			Operational current I _e	Operational power at 380–440 V		
			AC-21A A	AC-23A kW	AC-3 kW	
Rotary Cam Switches Switching angle 30°/45°/60°/90° Padlockable 12h	1 ... 24	M200	20	7,5	5,5	M220 - 61 ... - 041V1
			25	11	7,5	M225 - 61 ... - 041V1
	1 ... 24	T200	32	15	11	T225 - 61 ... - 041V1
Rotary Cam Switches Switching angle 90° 3 positions padlockable (09h/12h/03h)	1 ... 24	M200	20	7,5	5,5	M220 - 61 ... - 040V1
			25	11	7,5	M225 - 61 ... - 040V1
	1 ... 24	T200	32	15	11	T225 - 61 ... - 040V1

SMD modules for basic switch

Mounting form module for 041V1/ 040V1

M200 / T200

BFB2 - 041

V-operator module 48 x 48 mm, mounting form 041V1
Escutcheon black, handle black

2AV1 - 12

V-operator module 48 x 48 mm, mounting form 040V1
Escutcheon black, handle black

2AV1 - 99

Legend plate silver, operator module 041V1/ 040V1

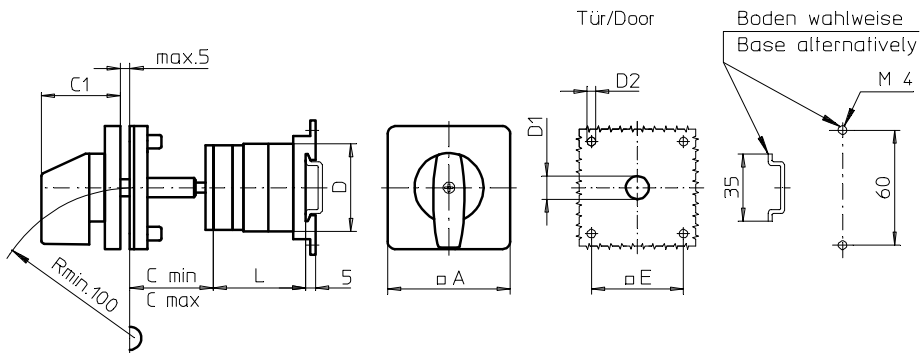
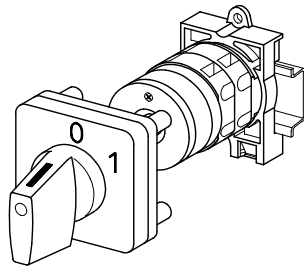
FAS2 - (FA number)

Dimensions (mm)

Product lines	A	C _{min}	C _{max}	C1	D	D1	D2	E1	E2	L with ... stages (max. 12) each add.			stage
										1	2	3	
M220	48	42	59	32	46	12	4,5	36	48	38	48	58	10
M221	48	42	59	32	46	12	4,5	36	48	41	54	67	13
M225	48	42	59	32	48	12	4,5	36	48	41	54	67	13
T225	48	42	59	32	50	12	4,5	36	48	43	58	73	15

Base Mounting Switches

sälzer



Product lines
M200 / T200

Base mounting switch
Operator module of next size

Door clutch
Modular shaft extension

Four hole mounting
48 x 48 mm front
Snap on mounting base plate

247M1 (IP66)

Complete switch	Poles	Product line	Rated data (IEC 60947)			Order code number
			Operational current I _e	Operational power at 380–440 V		
			AC-21A A	AC-23A kW	AC-3 kW	
Rotary Cam Switches Switching angle 30°/45°/60°/90°	1 ... 24	M200	20	7,5	5,5	M220 - 61 ... - 247M1
			25	11	7,5	M225 - 61 ... - 247M1
	1 ... 24	T200	32	15	11	T225 - 61 ... - 247M1

SMD modules for basic switch

Mounting form module for 247M1

M200 / T200

BFC2 - 247

M-operator module 64 x 64 mm, mounting form 247M1

4AM1

Escutcheon black, handle black

Legend plate silver, operator module 247M1

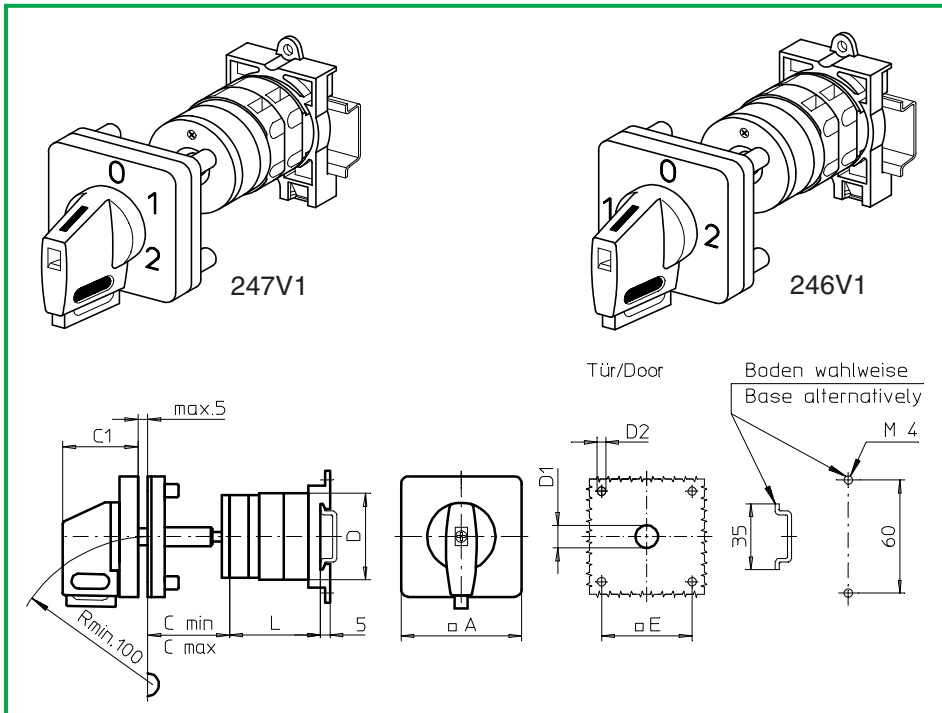
FAS4 - (FA number)

Dimensions (mm)

Product lines	A	C _{min}	C _{max}	C1	D	D1	D2	E	L with ... stages (max. 12)				each add. stage
									1	2	3	4	
M220	64	42	59	39	46	15	5	48	37	47	57	67	10
M221	64	42	59	39	46	15	5	48	40	53	66	79	13
M225	64	42	59	39	48	15	5	48	40	53	66	79	13
T225	64	42	59	39	50	15	5	48	42	57	72	87	15

Base Mounting Switches

sälzer



Product lines
M200 / T200

Base mounting switch
Operator module of next size

Door clutch
Modular shaft extension

Four hole mounting
48 x 48 mm front
Snap on mounting base plate

247V1 (IP66)

246V1 (IP66)

Complete switch	Poles	Product line	Rated data (IEC 60947)			Order code number
			Operational current I _e	Operational power at 380–440 V		
			AC-21A A	AC-23A kW	AC-3 kW	
Rotary Cam Switches Switching angle 30°/45°/60°/90° Padlockable 12h	1 ... 24	M200	20	7,5	5,5	M220 - 61 ... - 247V1
			25	11	7,5	M225 - 61 ... - 247V1
	1 ... 24	T200	32	15	11	T225 - 61 ... - 247V1
Rotary Cam Switches Switching angle 90° 3 positions padlockable (09h/12h/03h)	1 ... 24	M200	20	7,5	5,5	M220 - 61 ... - 246V1
			25	11	7,5	M225 - 61 ... - 246V1
	1 ... 24	T200	32	15	11	T225 - 61 ... - 246V1

SMD modules for basic switch

Mounting form module for 247V1/ 246V1

M200 / T200

BFC2 - 247

V-operator module 64 x 64 mm, mounting form 247V1
Escutcheon black, handle black

4AV1 - 12

V-operator module 64 x 64 mm, mounting form 246V1
Escutcheon black, handle black

4AV1 - 99

Legend plate silver, operator module 247V1/ 246V1

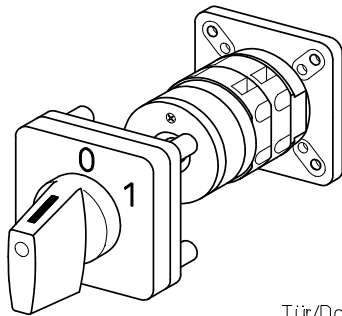
FAS4 - (FA number)

Dimensions (mm)

Product lines	A	C _{min}	C _{max}	C1	D	D1	D2	E	L with ... stages (max. 12)				each add. stage
									1	2	3	4	
M220	64	42	59	39	46	15	5	48	37	47	57	67	10
M221	64	42	59	39	46	15	5	48	40	53	66	79	13
M225	64	42	59	39	48	15	5	48	40	53	66	79	13
T225	64	42	59	39	50	15	5	48	42	57	72	87	15

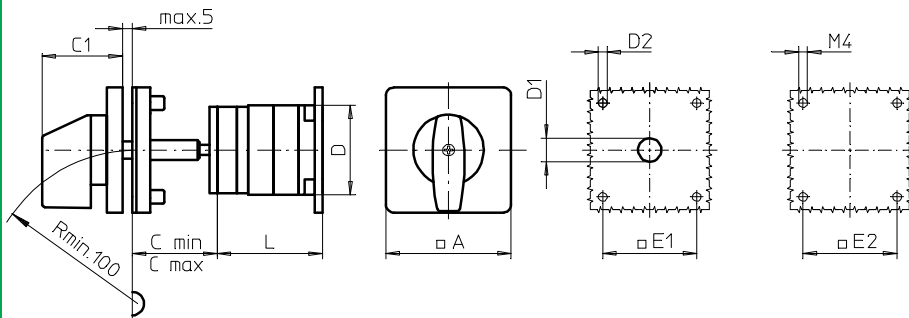
Base Mounting Switches

sälzer



Tür/Door

Boden/Base



Product lines
M200 / T200

Base mounting switch
Operator module of next size

Door clutch
Modular shaft extension

Four hole mounting
48 x 48 mm front
48 x 48 mm base

047M1 (IP66)

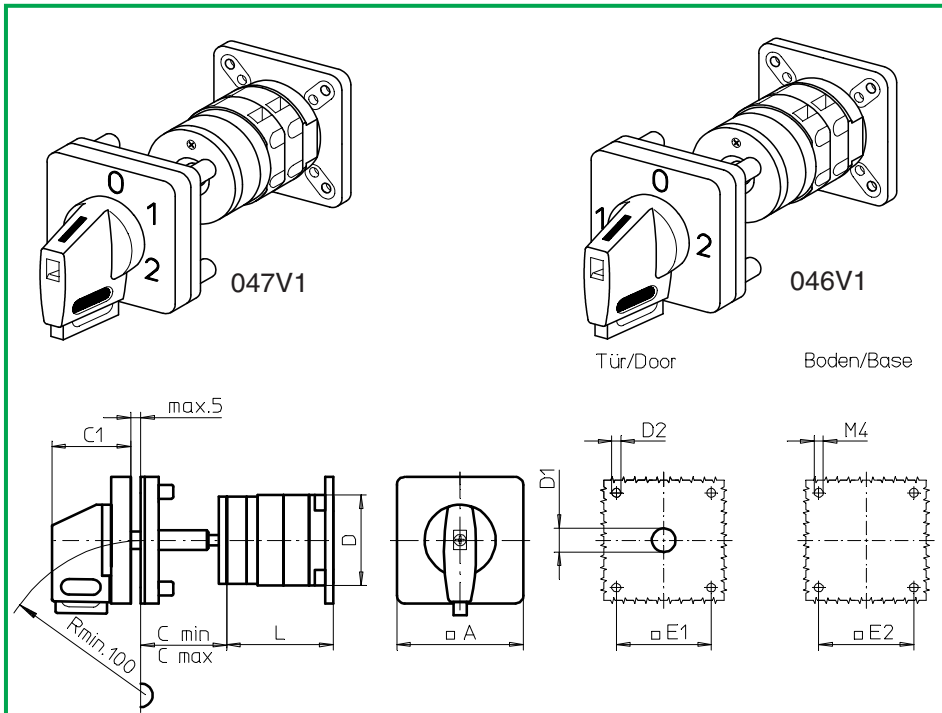
Complete switch	Poles	Product line	Rated data (IEC 60947)			Order code number
			Operational current I _e	Operational power at 380–440 V		
			AC-21A A	AC-23A kW	AC-3 kW	
Rotary Cam Switches Switching angle 30°/45°/60°/90°	1 ... 24	M200	20	7,5	5,5	M220 - 61 ... - 047M1
			25	11	7,5	M225 - 61 ... - 047M1
	1 ... 24	T200	32	15	11	T225 - 61 ... - 047M1

SMD modules for basic switch		
Mounting form module for 047M1	M200 / T200	BFC2 - 047
M-operator module 64 x 64 mm, mounting form 047M1		4AM1
Escutcheon black, handle black		
Legend plate silver, operator module 047M1		FAS4 - (FA number)

Dimensions (mm)										L with ... stages (max. 12) each add. stage			
Product lines	A	C _{min}	C _{max}	C1	D	D1	D2	E1	E2	1	2	3	
M220	64	42	59	39	46	15	5	48	48	38	48	58	10
M221	64	42	59	39	46	15	5	48	48	41	54	67	13
M225	64	42	59	39	48	15	5	48	48	41	54	67	13
T225	64	42	59	39	50	15	5	48	48	43	58	73	15

Base Mounting Switches

sälzer



Product lines
M200 / T200

Base mounting switch
Operator module of next size

Door clutch
Modular shaft extension

Four hole mounting
48 x 48 mm front
48 x 48 mm base

047V1 (IP66)
046V1 (IP66)

Complete switch	Poles	Product line	Rated data (IEC 60947)			Order code number
			Operational current I _e	Operational power at 380–440 V		
			AC-21A A	AC-23A kW	AC-3 kW	
Rotary Cam Switches Switching angle 30°/45°/60°/90° Padlockable 12h	1 ... 24	M200	20	7,5	5,5	M220 - 61 ... - 047V1
			25	11	7,5	M225 - 61 ... - 047V1
	1 ... 24	T200	32	15	11	T225 - 61 ... - 047V1
Rotary Cam Switches Switching angle 90° 3 positions padlockable (09h/12h/03h)	1 ... 24	M200	20	7,5	5,5	M220 - 61 ... - 046V1
			25	11	7,5	M225 - 61 ... - 046V1
	1 ... 24	T200	32	15	11	T225 - 61 ... - 046V1

SMD modules for basic switch

Mounting form module for 047V1/ 046V1

M200 / T200

BFC2 -047

V-operator module 64 x 64 mm, mounting form 047V1
Escutcheon black, handle black

4AV1 - 12

V-operator module 64 x 64 mm, mounting form 046V1
Escutcheon black, handle black

4AV1 - 99

Legend plate silver, operator module 047V1/ 046V1

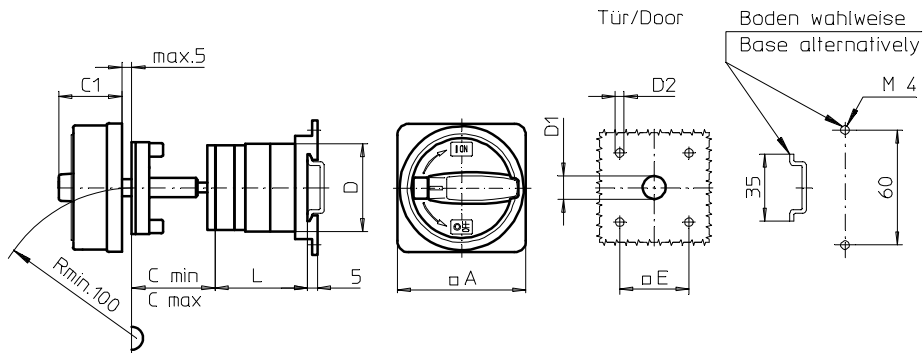
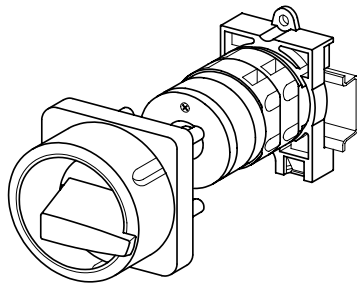
FAS4 - (FA number)

Dimensions (mm)

Product lines	A	C _{min}	C _{max}	C1	D	D1	D2	E1	E2	L with ... stages (max. 12)			each add. stage
										1	2	3	
M220	64	42	59	39	46	15	5	48	48	38	48	58	10
M221	64	42	59	39	46	15	5	48	48	41	54	67	13
M225	64	42	59	39	48	15	5	48	48	41	54	67	13
T225	64	42	59	39	50	15	5	48	48	43	58	73	15

Base Mounting Switches

sälzer



Product lines
M200 / T200

Base mounting switch

Door clutch

Modular shaft extension

Four hole mounting

36 x 36 mm front

Snap on mounting base plate

232M1 (IP66)

232M4 (IP66)

Complete switch	Poles	Product line	Rated data (IEC 60947)			Order code number
			Operational current I _e	Operational power at 380–440 V		
			AC-21A A	AC-23A kW	AC-3 kW	
Main Switches	1 ... 24	M200	20	7,5	5,5	M220 - 61 ... - 232M1
Switching angle 90°			25	11	7,5	M225 - 61 ... - 232M1
OFF position padlockable 09h	1 ... 24	T200	32	15	11	T225 - 61 ... - 232M1
Main/Emergency-Off Switches	1 ... 24	M200	20	7,5	5,5	M220 - 61 ... - 232M4
Switching angle 90°			25	11	7,5	M225 - 61 ... - 232M4
OFF position padlockable 09h	1 ... 24	T200	32	15	11	T225 - 61 ... - 232M4

SMD modules for basic switch

Mounting form module for 232M.

M200 / T200

BFC2 - 232

M-padlock device 67 x 67 mm, mounting form 232M1
Escutcheon black, padlockable handle black

2CM1

M-padlock device 67 x 67 mm, mounting form 232M4
Escutcheon yellow, padlockable handle red

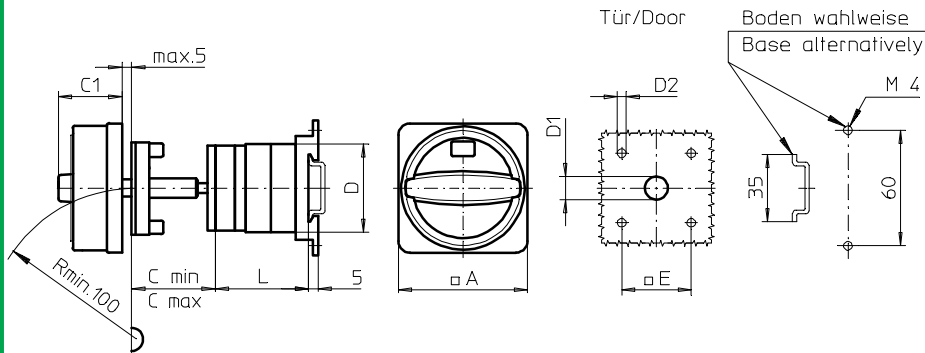
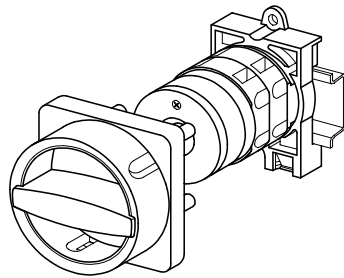
2CM4

Dimensions (mm)

Product lines	A	C _{min}	C _{max}	C1	D	D1	D2	E	L with ... stages (max. 12)				each add. stage
									1	2	3	4	
M220	67	42	59	38	46	15	4,5	36	37	47	57	67	10
M221	67	42	59	38	46	15	4,5	36	40	53	66	79	13
M225	67	42	59	38	48	15	4,5	36	40	53	66	79	13
T225	67	42	59	38	50	15	4,5	36	42	57	72	87	15

Base Mounting Switches

sälzer



Product lines
M200 / T200

Base mounting switch

Door clutch
Modular shaft extension

Four hole mounting
36 x 36 mm front
Snap on mounting base plate

232N1 (IP66)

232N4 (IP66)

Complete switch	Poles	Product line	Rated data (IEC 60947)			Order code number
			Operational current I _e	Operational power at 380–440 V		
			AC-21A A	AC-23A kW	AC-3 kW	
Main Switches	1 ... 24	M200	20	7,5	5,5	M220 - 61 ... - 232N1
Switching angle 90°			25	11	7,5	M225 - 61 ... - 232N1
OFF position padlockable 12h	1 ... 24	T200	32	15	11	T225 - 61 ... - 232N1
Main/Emergency-Off Switches	1 ... 24	M200	20	7,5	5,5	M220 - 61 ... - 232N4
Switching angle 90°			25	11	7,5	M225 - 61 ... - 232N4
OFF position padlockable 12h	1 ... 24	T200	32	15	11	T225 - 61 ... - 232N4

SMD modules for basic switch

Mounting form module for 232N.

M200 / T200

BFC2 - 232

N-padlock device 67 x 67 mm, mounting form 232N1
Escutcheon black, padlockable handle black

2CN1

N-padlock device 67 x 67 mm, mounting form 232N4
Escutcheon yellow, padlockable handle red

2CN4

Dimensions (mm)

Product lines	A	C _{min}	C _{max}	C1	D	D1	D2	E	L with ... stages (max. 12)				each add. stage
									1	2	3	4	
M220	67	42	59	33	46	15	4,5	36	37	47	57	67	10
M221	67	42	59	33	46	15	4,5	36	40	53	66	79	13
M225	67	42	59	33	48	15	4,5	36	40	53	66	79	13
T225	67	42	59	33	50	15	4,5	36	42	57	72	87	15

Base Mounting Switches

sälzer

Product lines
M200 / T200

Base mounting switch

Door clutch

Modular shaft extension

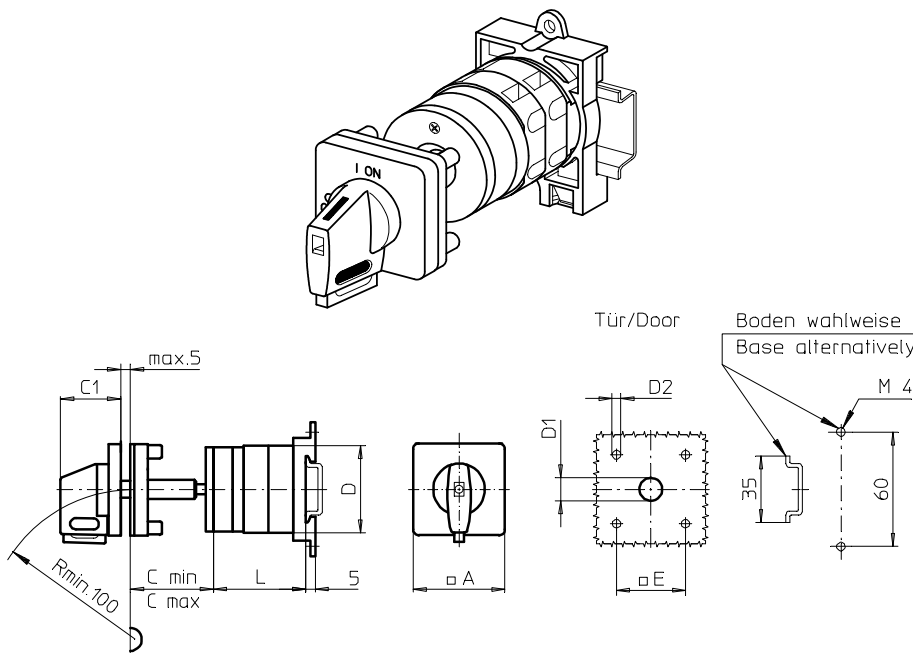
Four hole mounting

36 x 36 mm front

Snap on mounting base plate

232V1 (IP66)

232V4 (IP66)



Complete switch	Poles	Product line	Rated data (IEC 60947)			Order code number
			Operational current I _e	Operational power at 380–440 V		
			AC-21A A	AC-23A kW	AC-3 kW	
Main Switches	1 ... 24	M200	20	7,5	5,5	M220 - 61 ... - 232V1
Switching angle 90°			25	11	7,5	M225 - 61 ... - 232V1
OFF position padlockable 09h	1 ... 24	T200	32	15	11	T225 - 61 ... - 232V1
Main/Emergency-Off Switches	1 ... 24	M200	20	7,5	5,5	M220 - 61 ... - 232V4
Switching angle 90°			25	11	7,5	M225 - 61 ... - 232V4
OFF position padlockable 09h	1 ... 24	T200	32	15	11	T225 - 61 ... - 232V4

SMD modules for basic switch

Mounting form module for 232V.

M200 / T200

BFB2 - 241

V-operator module 48 x 48 mm, mounting form 232V1
Escutcheon black, handle black

2AV1 - 09

Legend plate silver, operator module 232V1

FAS2 - 9078

V-operator module 48 x 48 mm, mounting form 232V4
Escutcheon black, handle red

2AV4 - 09

Legend plate yellow, operator module 232V4

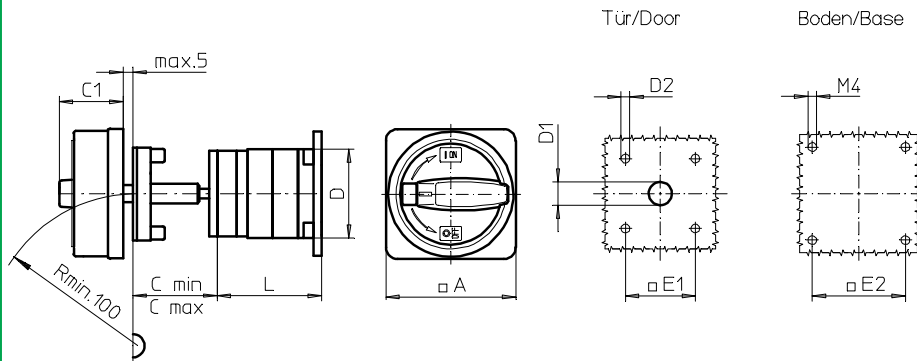
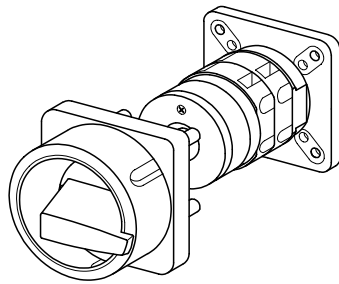
FBS2 - 9078

Dimensions (mm)

Product lines	A	C _{min}	C _{max}	C1	D	D1	D2	E	L with ... stages (max. 12)				each add. stage
									1	2	3	4	
M220	48	42	59	32	46	12	4,5	36	37	47	57	67	10
M221	48	42	59	32	46	12	4,5	36	40	53	66	79	13
M225	48	42	59	32	48	12	4,5	36	40	53	66	79	13
T225	48	42	59	32	50	12	4,5	36	42	57	72	87	15

Base Mounting Switches

sälzer



Product lines
M200 / T200

Base mounting switch

Door clutch

Modular shaft extension

Four hole mounting

36 x 36 mm front

48 x 48 mm base

032M1 (IP66)

032M4 (IP66)

Complete switch	Poles	Product line	Rated data (IEC 60947)			Order code number
			Operational current I _e	Operational power at 380–440 V		
			AC-21A A	AC-23A kW	AC-3 kW	
Main Switches	1 ... 24	M200	20	7,5	5,5	M220 - 61 ... - 032M1
Switching angle 90°			25	11	7,5	M225 - 61 ... - 032M1
OFF position padlockable 09h	1 ... 24	T200	32	15	11	T225 - 61 ... - 032M1
Main/Emergency-Off Switches	1 ... 24	M200	20	7,5	5,5	M220 - 61 ... - 032M4
Switching angle 90°			25	11	7,5	M225 - 61 ... - 032M4
OFF position padlockable 09h	1 ... 24	T200	32	15	11	T225 - 61 ... - 032M4

SMD modules for basic switch

Mounting form module for 032M.

M200 / T200

BFC2 - 032

M-padlock device 67 x 67 mm, mounting form 032M1
Escutcheon black, padlockable handle black

2CM1

M-padlock device 67 x 67 mm, mounting form 032M4
Escutcheon yellow, padlockable handle red

2CM4

Dimensions (mm)

Product lines	A	C _{min}	C _{max}	C1	D	D1	D2	E1	E2	L with ... stages (max. 12)			each add. stage
										1	2	3	
M220	67	42	59	38	46	15	4,5	36	48	38	48	58	10
M221	67	42	59	38	46	15	4,5	36	48	41	54	67	13
M225	67	42	59	38	48	15	4,5	36	48	41	54	67	13
T225	67	42	59	38	50	15	4,5	36	48	43	58	73	15

Base Mounting Switches

sälzer

Product lines
M200 / T200

Base mounting switch

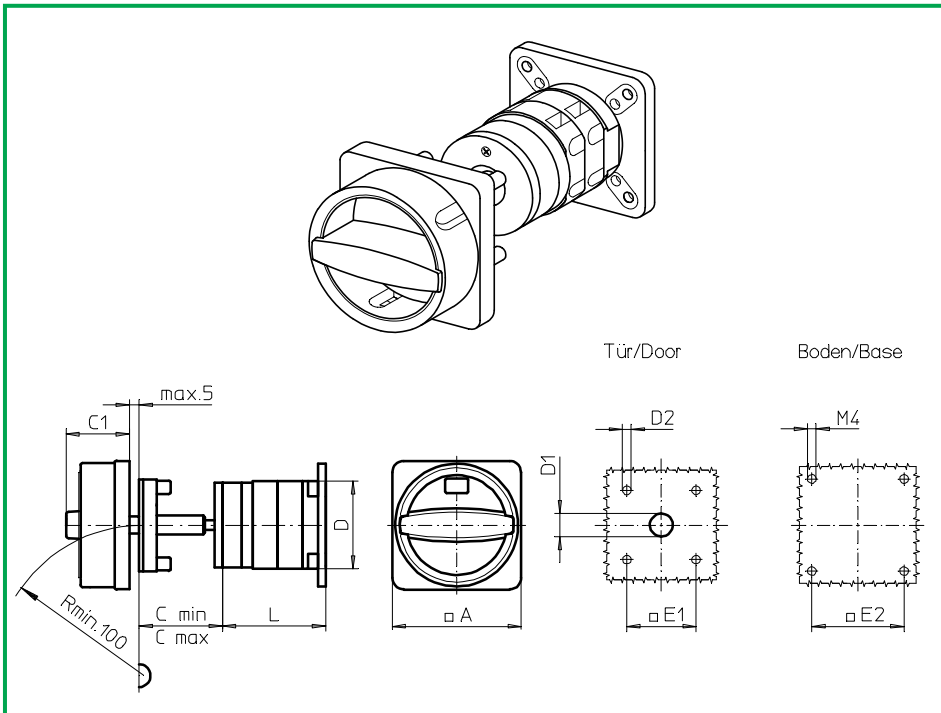
Door clutch
Modular shaft extension

Four hole mounting

36 x 36 mm front
48 x 48 mm base

032N1 (IP66)

032N4 (IP66)



Complete switch	Poles	Product line	Rated data (IEC 60947)			Order code number
			Operational current I _e	Operational power at 380–440 V		
			AC-21A A	AC-23A kW	AC-3 kW	
Main Switches	1 ... 24	M200	20	7,5	5,5	M220 - 61 ... - 032N1
Switching angle 90°			25	11	7,5	M225 - 61 ... - 032N1
OFF position padlockable 12h	1 ... 24	T200	32	15	11	T225 - 61 ... - 032N1
Main/Emergency-Off Switches	1 ... 24	M200	20	7,5	5,5	M220 - 61 ... - 032N4
Switching angle 90°			25	11	7,5	M225 - 61 ... - 032N4
OFF position padlockable 12h	1 ... 24	T200	32	15	11	T225 - 61 ... - 032N4

SMD modules for basic switch

Mounting form module for 032N.

M200 / T200

BFC2 - 032

N-padlock device 67 x 67 mm, mounting form 032N1
Escutcheon black, padlockable handle black

2CN1

N-padlock device 67 x 67 mm, mounting form 032N4
Escutcheon yellow, padlockable handle red

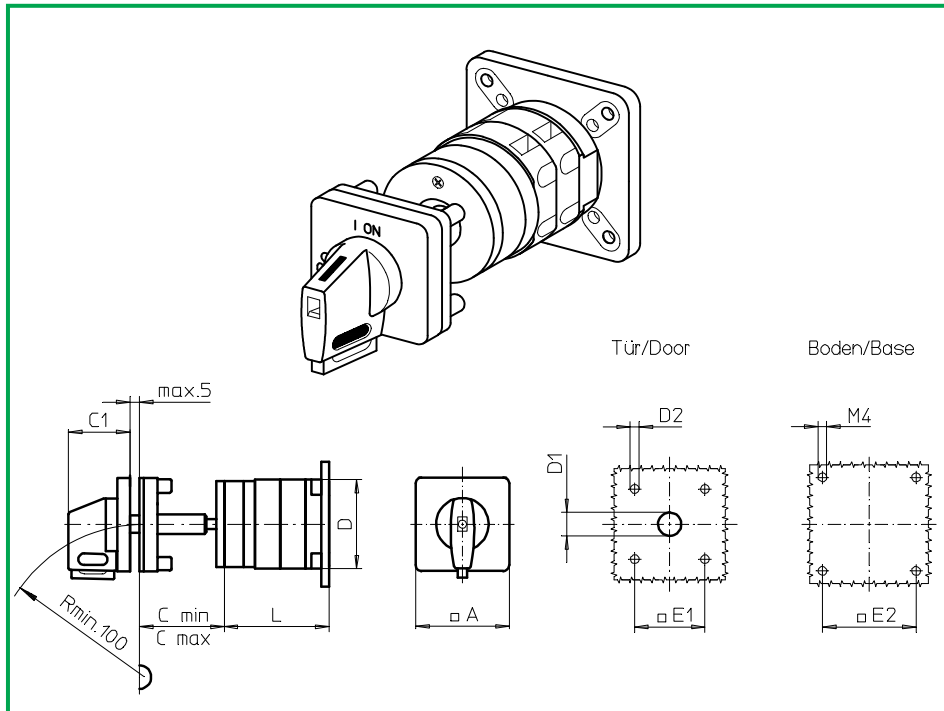
2CN4

Dimensions (mm)

Product lines	A	C _{min}	C _{max}	C1	D	D1	D2	E1	E2	L with ... stages (max. 12) each add.			
										1	2	3	stage
M220	67	42	59	33	46	15	4,5	36	48	38	48	58	10
M221	67	42	59	33	46	15	4,5	36	48	41	54	67	13
M225	67	42	59	33	48	15	4,5	36	48	41	54	67	13
T225	67	42	59	33	50	15	4,5	36	48	43	58	73	15

Base Mounting Switches

sälzer



Product lines
M200 / T200

Base mounting switch

Door clutch

Modular shaft extension

Four hole mounting

36 x 36 mm front

48 x 48 mm base

032V1 (IP66)

032V4 (IP66)

Complete switch	Poles	Product line	Rated data (IEC 60947)			Order code number
			Operational current I_e	Operational power at 380–440 V		
			AC-21A A	AC-23A kW	AC-3 kW	
Main Switches	1 ... 24	M200	20	7,5	5,5	M220 - 61 ... - 032V1
Switching angle 90°			25	11	7,5	M225 - 61 ... - 032V1
OFF position padlockable 09h	1 ... 24	T200	32	15	11	T225 - 61 ... - 032V1
Main/Emergency-Off Switches	1 ... 24	M200	20	7,5	5,5	M220 - 61 ... - 032V4
Switching angle 90°			25	11	7,5	M225 - 61 ... - 032V4
OFF position padlockable 09h	1 ... 24	T200	32	15	11	T225 - 61 ... - 032V4

SMD modules for basic switch

Mounting form module for 032V.

M200 / T200

BFB2 - 041

V-operator module 48 x 48 mm, mounting form 032V1
Escutcheon black, handle black

2AV1 - 09

Legend plate silver, operator module 032V1

FAS2 - 9078

V-operator module 48 x 48 mm, mounting form 032V4
Escutcheon black, handle red

2AV4 - 09

Legend plate yellow, operator module 032V4

FBS2 - 9078

Dimensions (mm)

Product lines	A	Cmin	Cmax	C1	D	D1	D2	E1	E2	L with ... stages (max. 12)			each add. stage
										1	2	3	
M220	48	42	59	32	46	12	4,5	36	48	38	48	58	10
M221	48	42	59	32	46	12	4,5	36	48	41	54	67	13
M225	48	42	59	32	48	12	4,5	36	48	41	54	67	13
T225	48	42	59	32	50	12	4,5	36	48	43	58	73	15

Base Mounting Switches

sälzer

Product lines
M200 / T200

Base mounting switch

Door clutch

Modular shaft extension

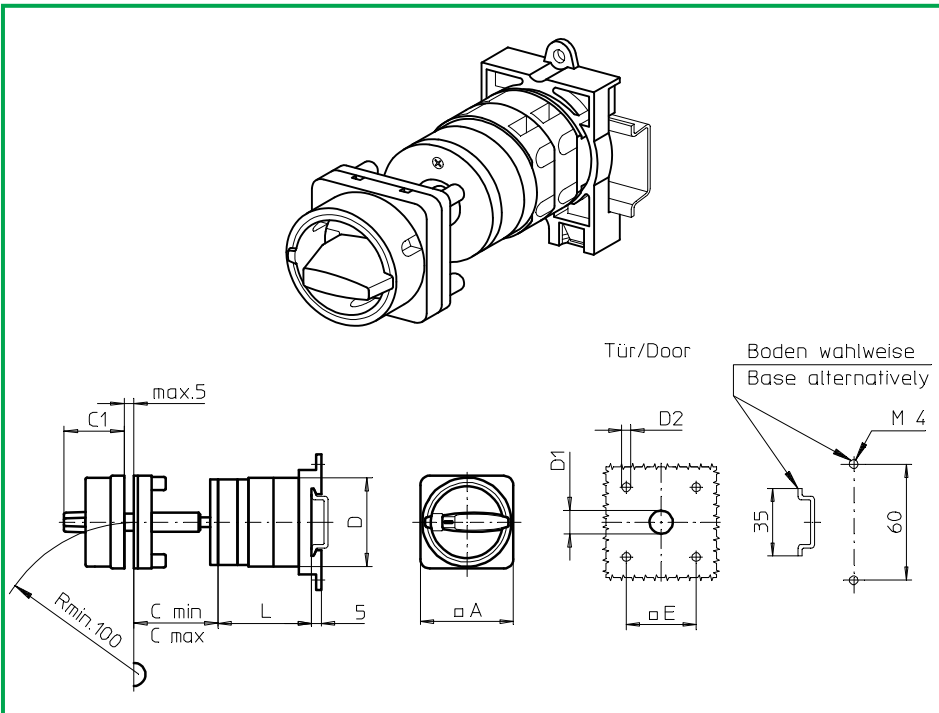
Four hole mounting

36 x 36 mm front

Snap on mounting base plate

231M1 (IP66)

231M4 (IP66)



Complete switch	Poles	Product line	Rated data (IEC 60947)			Order code number
			Operational current I _e	Operational power at 380–440 V		
			AC-21A A	AC-23A kW	AC-3 kW	
Main Switches	1 ... 24	M200	20	7,5	5,5	M220 - 61 ... - 231M1
Switching angle 90°			25	11	7,5	M225 - 61 ... - 231M1
OFF position padlockable 09h	1 ... 24	T200	32	15	11	T225 - 61 ... - 231M1
Main/Emergency-Off Switches	1 ... 24	M200	20	7,5	5,5	M220 - 61 ... - 231M4
Switching angle 90°			25	11	7,5	M225 - 61 ... - 231M4
OFF position padlockable 09h	1 ... 24	T200	32	15	11	T225 - 61 ... - 231M4

SMD modules for basic switch

Mounting form module for 231M.

M200 / T200

BFB2 - 241

M-padlock device 48 x 48 mm, mounting form 231M1
Escutcheon black, padlockable handle black

2BM1

M-padlock device 48 x 48 mm, mounting form 231M4
Escutcheon yellow, padlockable handle red

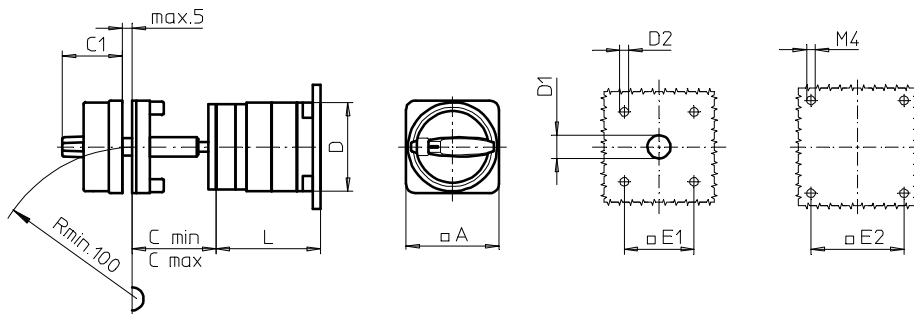
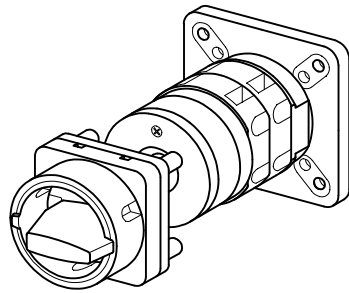
2BM4

Dimensions (mm)

Product lines	A	C _{min}	C _{max}	C1	D	D1	D2	E	L with ... stages (max. 12)				each add. stage
									1	2	3	4	
M220	48	42	59	32	46	12	4,5	36	37	47	57	67	10
M221	48	42	59	32	46	12	4,5	36	40	53	66	79	13
M225	48	42	59	32	48	12	4,5	36	40	53	66	79	13
T225	48	42	59	32	50	12	4,5	36	42	57	72	87	15

Base Mounting Switches

sälzer



Product lines
M200 / T200

Base mounting switch

Door clutch

Modular shaft extension

Four hole mounting

36 x 36 mm front

48 x 48 mm base

031M1 (IP66)

031M4 (IP66)

Complete switch	Poles	Product line	Rated data (IEC 60947)			Order code number
			Operational current I _e	Operational power at 380–440 V		
			AC-21A A	AC-23A kW	AC-3 kW	
Main Switches	1 ... 24	M200	20	7,5	5,5	M220 - 61 ... - 031M1
Switching angle 90°			25	11	7,5	M225 - 61 ... - 031M1
OFF position padlockable 09h	1 ... 24	T200	32	15	11	T225 - 61 ... - 031M1
Main/Emergency-Off Switches	1 ... 24	M200	20	7,5	5,5	M220 - 61 ... - 031M4
Switching angle 90°			25	11	7,5	M225 - 61 ... - 031M4
OFF position padlockable 09h	1 ... 24	T200	32	15	11	T225 - 61 ... - 031M4

SMD modules for basic switch

Mounting form module for 031M.

M200 / T200

BFB2 - 041

M-padlock device 48 x 48 mm, mounting form 031M1
Escutcheon black, padlockable handle black

2BM1

M-padlock device 48 x 48 mm, mounting form 031M4
Escutcheon yellow, padlockable handle red

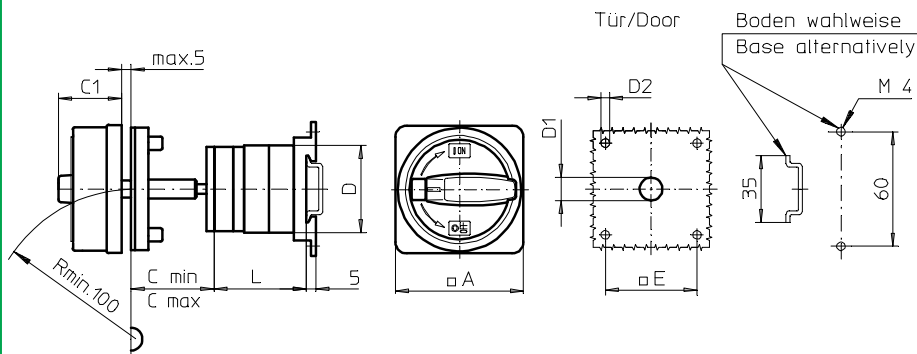
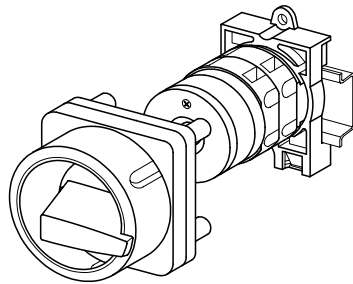
2BM4

Dimensions (mm)

Product lines	A	C _{min}	C _{max}	C1	D	D1	D2	E1	E2	L with ... stages (max. 12)			each add. stage
										1	2	3	
M220	48	42	59	32	46	12	4,5	36	48	38	48	58	10
M221	48	42	59	32	46	12	4,5	36	48	41	54	67	13
M225	48	42	59	32	48	12	4,5	36	48	41	54	67	13
T225	48	42	59	32	50	12	4,5	36	48	43	58	73	15

Base Mounting Switches

sälzer



Product lines
M200 / T200

Base mounting switch
Operator module of next size

Door clutch
Modular shaft extension

Four hole mounting
48 x 48 mm front
Snap on mounting base plate

237M1 (IP66)

237M4 (IP66)

Complete switch	Poles	Product line	Rated data (IEC 60947)			Order code number
			Operational current I _e	Operational power at 380–440 V		
			AC-21A A	AC-23A kW	AC-3 kW	
Main Switches	1 ... 24	M200	20	7,5	5,5	M220 - 61 ... - 237M1
Switching angle 90°			25	11	7,5	M225 - 61 ... - 237M1
OFF position padlockable 09h	1 ... 24	T200	32	15	11	T225 - 61 ... - 237M1
Main/Emergency-Off Switches	1 ... 24	M200	20	7,5	5,5	M220 - 61 ... - 237M4
Switching angle 90°			25	11	7,5	M225 - 61 ... - 237M4
OFF position padlockable 09h	1 ... 24	T200	32	15	11	T225 - 61 ... - 237M4

SMD modules for basic switch

Mounting form module for 237M.

M200 / T200

BFC2 - 237

M-padlock device 67 x 67 mm, mounting form 237M1
Escutcheon black, padlockable handle black

4BM1

M-padlock device 67 x 67 mm, mounting form 237M4
Escutcheon yellow, padlockable handle red

4BM4

Dimensions (mm)

Product lines	A	C _{min}	C _{max}	C1	D	D1	D2	E	L with ... stages (max. 12)				each add. stage
									1	2	3	4	
M220	67	42	59	38	46	15	5	48	37	47	57	67	10
M221	67	42	59	38	46	15	5	48	40	53	66	79	13
M225	67	42	59	38	48	15	5	48	40	53	66	79	13
T225	67	42	59	38	50	15	5	48	42	57	72	87	15

Base Mounting Switches

sälzer

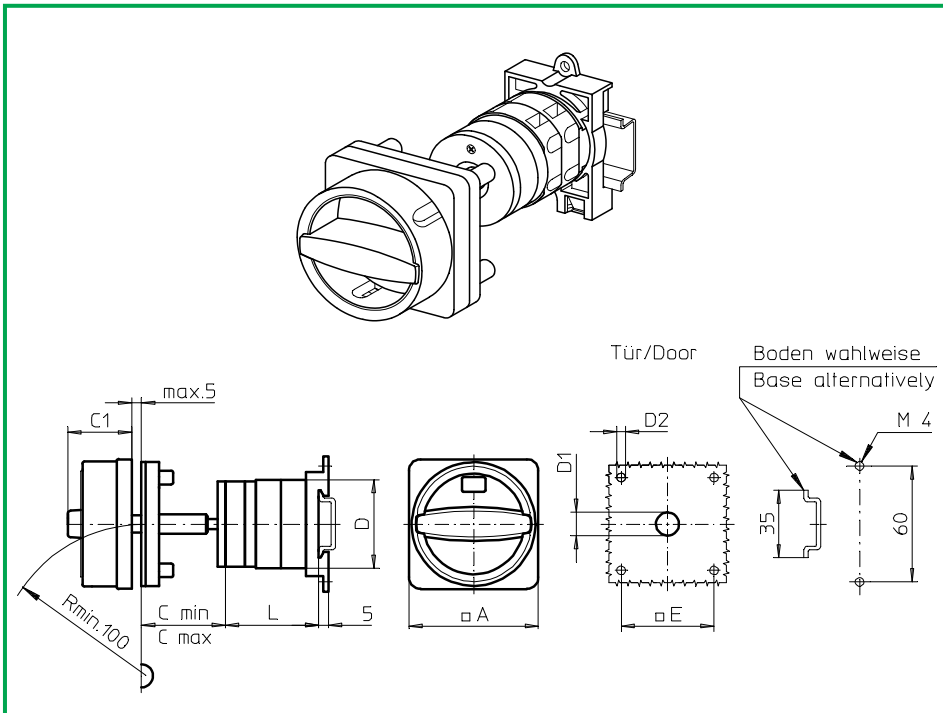
Product lines
M200 / T200

Base mounting switch
Operator module of next size

Door clutch
Modular shaft extension

Four hole mounting
48 x 48 mm front
Snap on mounting base plate

237N1 (IP66)
237N4 (IP66)



Complete switch	Poles	Product line	Rated data (IEC 60947)			Order code number
			Operational current I _e	Operational power at 380–440 V		
			AC-21A A	AC-23A kW	AC-3 kW	
Main Switches	1 ... 24	M200	20	7,5	5,5	M220 - 61 ... - 237N1
Switching angle 90°			25	11	7,5	M225 - 61 ... - 237N1
OFF position padlockable 12h	1 ... 24	T200	32	15	11	T225 - 61 ... - 237N1
Main/Emergency-Off Switches	1 ... 24	M200	20	7,5	5,5	M220 - 61 ... - 237N4
Switching angle 90°			25	11	7,5	M225 - 61 ... - 237N4
OFF position padlockable 12h	1 ... 24	T200	32	15	11	T225 - 61 ... - 237N4

SMD modules for basic switch

Mounting form module for 237N.

M200 / T200

BFC2 - 237

N-padlock device 67 x 67 mm, mounting form 237N1
Escutcheon black, padlockable handle black

4BN1

N-padlock device 67 x 67 mm, mounting form 237N4
Escutcheon yellow, padlockable handle red

4BN4

Dimensions (mm)

Product lines	A	C _{min}	C _{max}	C1	D	D1	D2	E	L with ... stages (max. 12)				each add. stage
									1	2	3	4	
M220	67	42	59	33	46	15	5	48	37	47	57	67	10
M221	67	42	59	33	46	15	5	48	40	53	66	79	13
M225	67	42	59	33	48	15	5	48	40	53	66	79	13
T225	67	42	59	33	50	15	5	48	42	57	72	87	15

Base Mounting Switches

sälzer

Product lines
M200 / T200

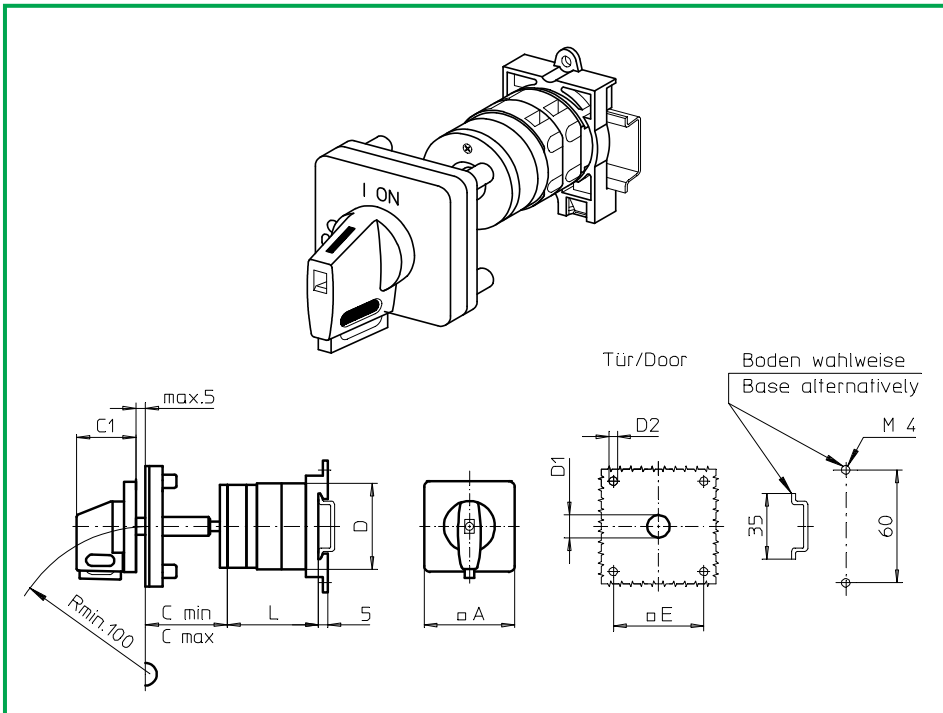
Base mounting switch
Operator module of next size

Door clutch
Modular shaft extension

Four hole mounting
48 x 48 mm front
Snap on mounting base plate

237V1 (IP66)

237V4 (IP66)



Complete switch	Poles	Product line	Rated data (IEC 60947)			Order code number
			Operational current I _e	Operational power at 380–440 V		
			AC-21A A	AC-23A kW	AC-3 kW	
Main Switches	1 ... 24	M200	20	7,5	5,5	M220 - 61 ... - 237V1
Switching angle 90°			25	11	7,5	M225 - 61 ... - 237V1
OFF position padlockable 09h	1 ... 24	T200	32	15	11	T225 - 61 ... - 237V1
Main/Emergency-Off Switches	1 ... 24	M200	20	7,5	5,5	M220 - 61 ... - 237V4
Switching angle 90°			25	11	7,5	M225 - 61 ... - 237V4
OFF position padlockable 09h	1 ... 24	T200	32	15	11	T225 - 61 ... - 237V4

SMD modules for basic switch

Mounting form module for 237V.

M200 / T200

BFC2 - 247

V-operator module 64 x 64 mm, mounting form 237V1
Escutcheon black, handle black

4AV1 - 09

Legend plate silver, operator module 237V1

FAS4 - 9078

V-operator module 64 x 64 mm, mounting form 237V4
Escutcheon black, handle red

4AV4 - 09

Legend plate yellow, operator module 237V4

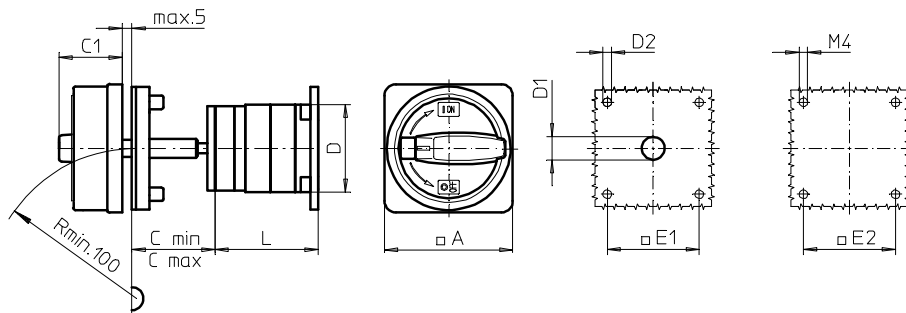
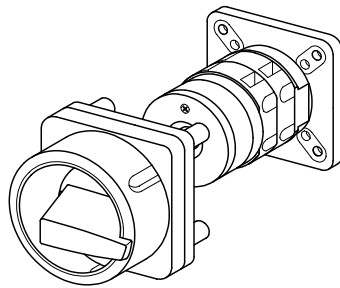
FBS4 - 9078

Dimensions (mm)

Product lines	A	C _{min}	C _{max}	C1	D	D1	D2	E	L with ... stages (max. 12)				each add. stage
									1	2	3	4	
M220	64	42	59	39	46	15	5	48	37	47	57	67	10
M221	64	42	59	39	46	15	5	48	40	53	66	79	13
M225	64	42	59	39	48	15	5	48	40	53	66	79	13
T225	64	42	59	39	50	15	5	48	42	57	72	87	15

Base Mounting Switches

sälzer



Product lines
M200 / T200

Base mounting switch
Operator module of next size

Door clutch
Modular shaft extension

Four hole mounting
48 x 48 mm front
48 x 48 mm base

037M1 (IP66)
037M4 (IP66)

Complete switch	Poles	Product line	Rated data (IEC 60947)			Order code number
			Operational current I _e	Operational power at 380–440 V		
			AC-21A A	AC-23A kW	AC-3 kW	
Main Switches	1 ... 24	M200	20	7,5	5,5	M220 - 61 ... - 037M1
Switching angle 90°			25	11	7,5	M225 - 61 ... - 037M1
OFF position padlockable 09h	1 ... 24	T200	32	15	11	T225 - 61 ... - 037M1
Main/Emergency-Off Switches	1 ... 24	M200	20	7,5	5,5	M220 - 61 ... - 037M4
Switching angle 90°			25	11	7,5	M225 - 61 ... - 037M4
OFF position padlockable 09h	1 ... 24	T200	32	15	11	T225 - 61 ... - 037M4

SMD modules for basic switch

Mounting form module for 037M.

M200 / T200

BFC2 - 037

M-padlock device 67 x 67 mm, mounting form 037M1
Escutcheon black, padlockable handle black

4BM1

M-padlock device 67 x 67 mm, mounting form 037M4
Escutcheon yellow, padlockable handle red

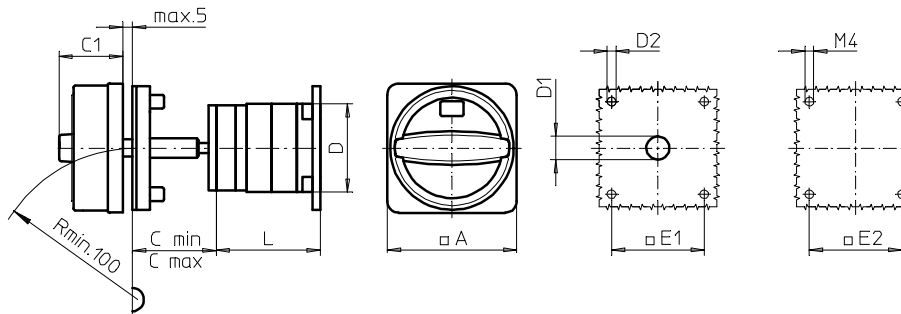
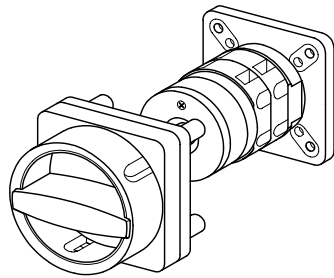
4BM4

Dimensions (mm)

Product lines	A	C _{min}	C _{max}	C1	D	D1	D2	E1	E2	L with ... stages (max. 12) each add.			stage
										1	2	3	
M220	67	42	59	38	46	15	5	48	48	38	48	58	10
M221	67	42	59	38	46	15	5	48	48	41	54	67	13
M225	67	42	59	38	48	15	5	48	48	41	54	67	13
T225	67	42	59	38	50	15	5	48	48	43	58	73	15

Base Mounting Switches

sälzer



Product lines
M200 / T200

Base mounting switch
Operator module of next size

Door clutch
Modular shaft extension

Four hole mounting
48 x 48 mm front
48 x 48 mm base

037N1 (IP66)
037N4 (IP66)

Complete switch	Poles	Product line	Rated data (IEC 60947)			Order code number
			Operational current I _e	Operational power at 380–440 V		
			AC-21A A	AC-23A kW	AC-3 kW	
Main Switches	1 ... 24	M200	20	7,5	5,5	M220 - 61 ... - 037N1
Switching angle 90°			25	11	7,5	M225 - 61 ... - 037N1
OFF position padlockable 12h	1 ... 24	T200	32	15	11	T225 - 61 ... - 037N1
Main/Emergency-Off Switches	1 ... 24	M200	20	7,5	5,5	M220 - 61 ... - 037N4
Switching angle 90°			25	11	7,5	M225 - 61 ... - 037N4
OFF position padlockable 12h	1 ... 24	T200	32	15	11	T225 - 61 ... - 037N4

SMD modules for basic switch

Mounting form module for 037N.

M200 / T200

BFC2 -037

N-padlock device 67 x 67 mm, mounting form 037N1
Escutcheon black, padlockable handle black

4BN1

N-padlock device 67 x 67 mm, mounting form 037N4
Escutcheon yellow, padlockable handle red

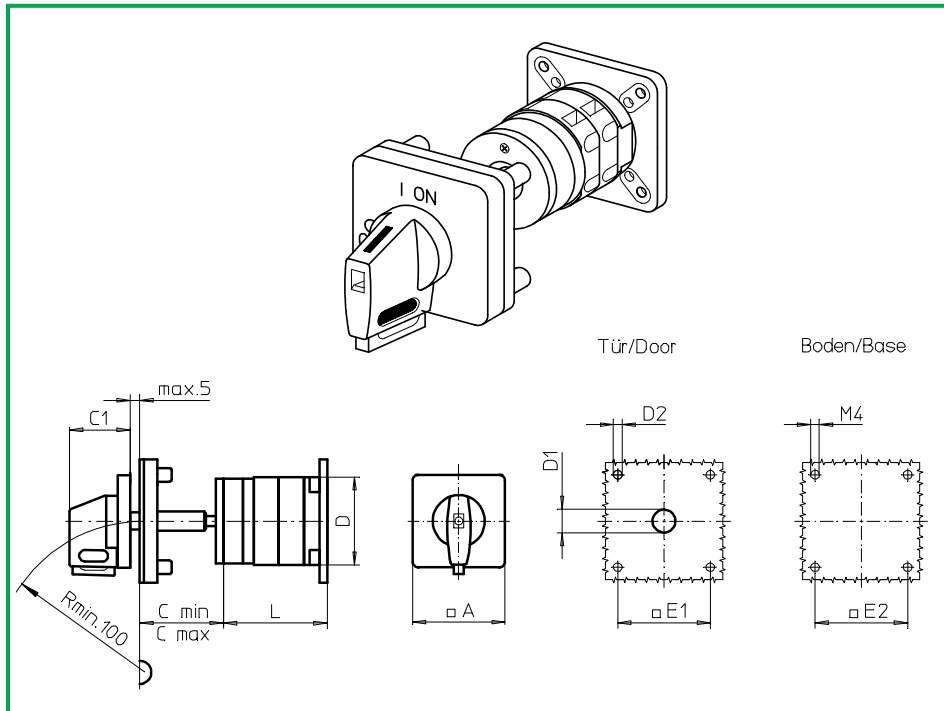
4BN4

Dimensions (mm)

Product lines	A	C _{min}	C _{max}	C1	D	D1	D2	E1	E2	L with ... stages (max. 12)			each add. stage
										1	2	3	
M220	67	42	59	33	46	15	5	48	48	38	48	58	10
M221	67	42	59	33	46	15	5	48	48	41	54	67	13
M225	67	42	59	33	48	15	5	48	48	41	54	67	13
T225	67	42	59	33	50	15	5	48	48	43	58	73	15

Base Mounting Switches

sälzer



Product lines
M200 / T200

Base mounting switch
Operator module of next size

Door clutch
Modular shaft extension

Four hole mounting
48 x 48 mm front
48 x 48 mm base

037V1 (IP66)
037V4 (IP66)

Complete switch	Poles	Product line	Rated data (IEC 60947)			Order code number
			Operational current I _e	Operational power at 380–440 V		
			AC-21A A	AC-23A kW	AC-3 kW	
Main Switches	1 ... 24	M200	20	7,5	5,5	M220 - 61 ... - 037V1
Switching angle 90°			25	11	7,5	M225 - 61 ... - 037V1
OFF position padlockable 09h	1 ... 24	T200	32	15	11	T225 - 61 ... - 037V1
Main/Emergency-Off Switches	1 ... 24	M200	20	7,5	5,5	M220 - 61 ... - 037V4
Switching angle 90°			25	11	7,5	M225 - 61 ... - 037V4
OFF position padlockable 09h	1 ... 24	T200	32	15	11	T225 - 61 ... - 037V4

SMD modules for basic switch

Mounting form module for 037V.

M200 / T200

BFC2 - 047

V-operator module 64 x 64 mm, mounting form 037V1
Escutcheon black, handle black

4AV1 - 09

Legend plate silver, operator module 037V1

FAS4 - 9078

V-operator module 64 x 64 mm, mounting form 037V4
Escutcheon black, handle red

4AV4 - 09

Legend plate yellow, operator module 037V4

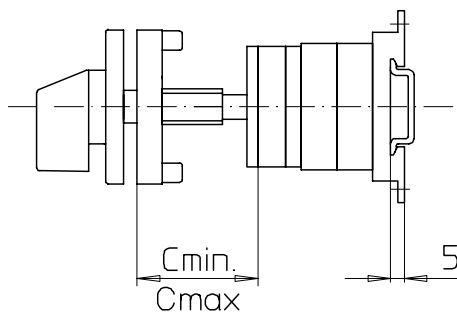
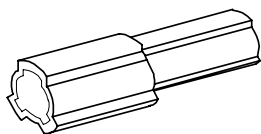
FBS4 - 9078

Dimensions (mm)

Product lines	A	C _{min}	C _{max}	C1	D	D1	D2	E1	E2	L with ... stages (max. 12) each add.			stage
										1	2	3	
M220	64	42	59	39	46	15	5	48	48	38	48	58	10
M221	64	42	59	39	46	15	5	48	48	41	54	67	13
M225	64	42	59	39	48	15	5	48	48	41	54	67	13
T225	64	42	59	39	50	15	5	48	48	43	58	73	15

Modular shaft extension

sälzer



Product lines
M200 / T200

Base mounting switch

Door clutch
Modular shaft extension

Four hole mounting
Front

AVD2

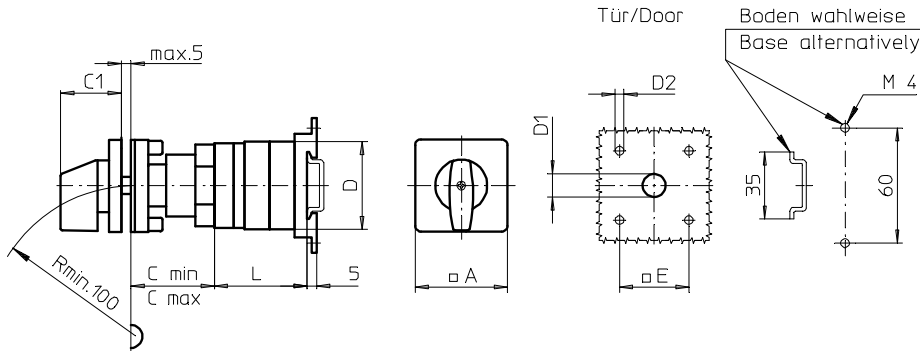
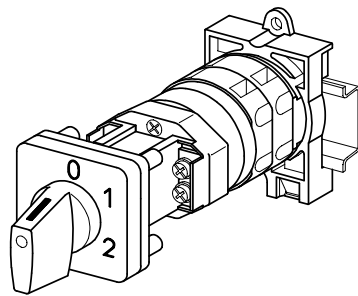
Modular shaft extensions for use with door clutch

Dimensions C_{min} , C_{max}

No.	C_{min}	C_{max}	Quantity	Order code number
0	42 mm	59 mm	-	-
1	60 mm	84 mm	1	AVD2
2	85 mm	109 mm	2	AVD2
3	110 mm	134 mm	3	AVD2
4	135 mm	159 mm	4	AVD2
5	160 mm	184 mm	5	AVD2
6	185 mm	209 mm	6	AVD2

Base Mounting Switches

sälzer



Product lines
M200 / T200

Base mounting switch

Door interlock
Modular shaft extension
N/PE connection link

Four hole mounting
36 x 36 mm front
Snap on mounting base plate

242M1 (IP66)

Complete switch	Poles	Product line	Rated data (IEC 60947)			Order code number							
			Operational current I _e	Operational power at 380–440 V									
			AC-21A A	AC-23A kW	AC-3 kW								
Rotary Cam Switches Switching angle 30°/45°/60°/90°	1 ... 24	M200	20	7,5	5,5	M220 - 61 ... - 242M1							
			25	11	7,5	M225 - 61 ... - 242M1							
	1 ... 24	T200	32	15	11	T225 - 61 ... - 242M1							
SMD modules for basic switch													
Mounting form module for 242M1			M200 T200			BFB2 - 242 BFE2 - 242							
M-operator module 48 x 48 mm, mounting form 242M1 Escutcheon black, handle black			M200 / T200			2AM1							
Legend plate silver, operator module 242M1						FAS2 - (FA number)							
Dimensions (mm)													
Product lines	A	C_{min}	C_{max}	C1	D	D1	D2	E	L with ... stages (max. 12)			each add. stage	
									1	2	3	4	
M220	48	42	57	32	46	12	4,5	36	37	47	57	67	10
M221	48	42	57	32	46	12	4,5	36	40	53	66	79	13
M225	48	42	57	32	48	12	4,5	36	40	53	66	79	13
T225	48	42	57	32	50	12	4,5	36	42	57	72	87	15

Base Mounting Switches

sälzer

Product lines
M200 / T200

Base mounting switch

Door interlock

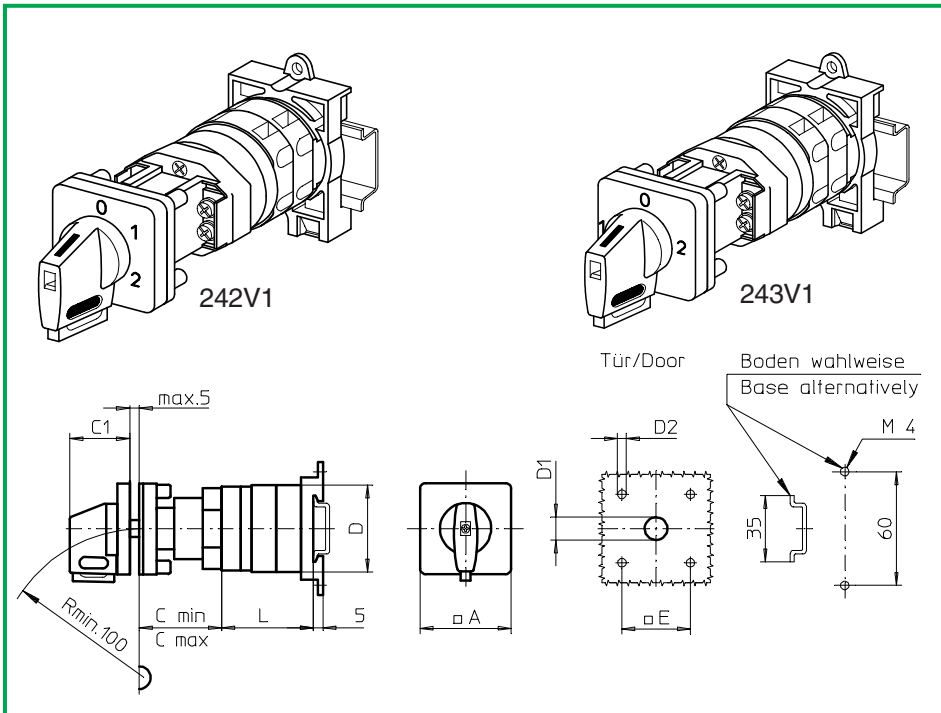
Modular shaft extension
N/PE connection link

Four hole mounting

36 x 36 mm front
Snap on mounting base plate

242V1 (IP66)

243V1 (IP66)



Complete switch	Poles	Product line	Rated data (IEC 60947)			Order code number
			Operational current I _e	Operational power at 380–440 V		
			AC-21A A	AC-23A kW	AC-3 kW	
Rotary Cam Switches Switching angle 30°/45°/60°/90° Padlockable 12h	1 ... 24	M200	20	7,5	5,5	M220 - 61 ... - 242V1
			25	11	7,5	M225 - 61 ... - 242V1
	1 ... 24	T200	32	15	11	T225 - 61 ... - 242V1
Rotary Cam Switches Switching angle 90° 3 positions padlockable (09h/12h/03h)	1 ... 24	M200	20	7,5	5,5	M220 - 61 ... - 243V1
			25	11	7,5	M225 - 61 ... - 243V1
	1 ... 24	T200	32	15	11	T225 - 61 ... - 243V1

SMD modules for basic switch

Mounting form module for 242V1/ 243V1

M200
T200

BFD2 - 242
BFF2 - 242

V-operator module 48 x 48 mm, mounting form 242V1
Escutcheon black, handle black

M200 / T200

2AV1 - 12

V-operator module 48 x 48 mm, mounting form 243V1
Escutcheon black, handle black

2AV1 - 99

Legend plate silver, operator module 242V1/ 243V1

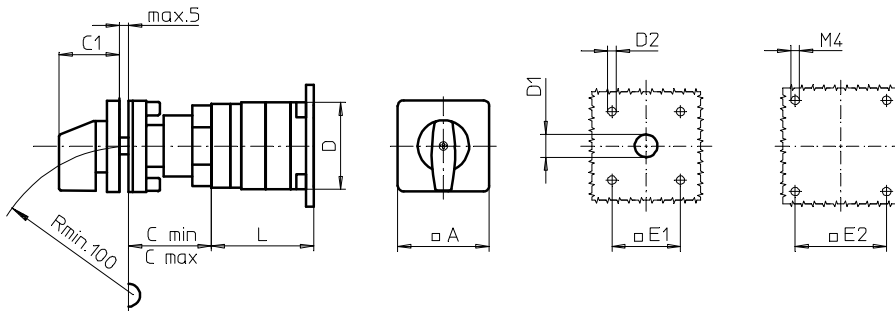
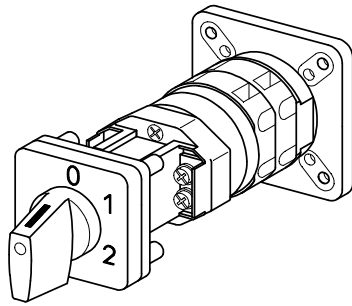
FAS2 - (FA number)

Dimensions (mm)

Product lines	A	C _{min}	C _{max}	C1	D	D1	D2	E	L with ... stages (max. 12)				each add. stage
									1	2	3	4	
M220	48	42	57	32	46	12	4,5	36	37	47	57	67	10
M221	48	42	57	32	46	12	4,5	36	40	53	66	79	13
M225	48	42	57	32	48	12	4,5	36	40	53	66	79	13
T225	48	42	57	32	50	12	4,5	36	42	57	72	87	15

Base Mounting Switches

sälzer



Product lines
M200 / T200

Base mounting switch

Door interlock

Modular shaft extension
N/PE connection link

Four hole mounting

36 x 36 mm front
48 x 48 mm base

042M1 (IP66)

Complete switch	Poles	Product line	Rated data (IEC 60947)			Order code number
			Operational current I _e	Operational power at 380–440 V		
			AC-21A A	AC-23A kW	AC-3 kW	
Rotary Cam Switches Switching angle 30°/45°/60°/90°	1 ... 24	M200	20	7,5	5,5	M220 - 61 ... - 042M1
			25	11	7,5	M225 - 61 ... - 042M1
	1 ... 24	T200	32	15	11	T225 - 61 ... - 042M1

SMD modules for basic switch

Mounting form module for 042M1

M200
T200

BFB2 - 042
BFE2 - 042

M-operator module 48 x 48 mm, mounting form 042M1
Escutcheon black, handle black

M200 / T200

2AM1

Legend plate silver, operator module 042M1

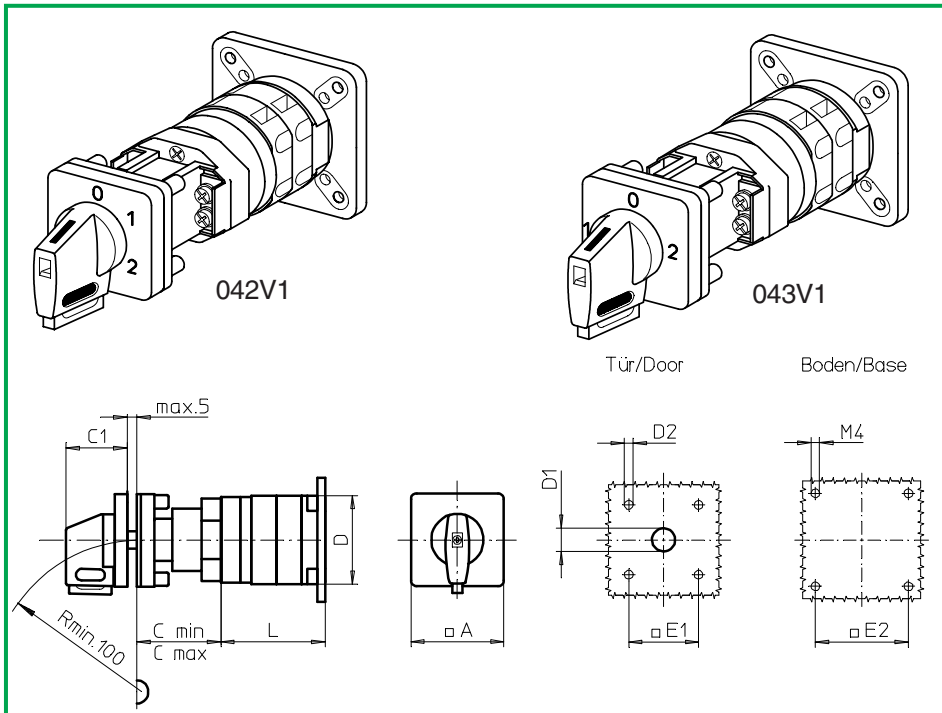
FAS2 - (FA number)

Dimensions (mm)

Product lines	A	C _{min}	C _{max}	C1	D	D1	D2	E1	E2	L with ... stages (max. 12) each add.			stage
										1	2	3	
M220	48	42	57	32	46	12	4,5	36	48	38	48	58	10
M221	48	42	57	32	46	12	4,5	36	48	41	54	67	13
M225	48	42	57	32	48	12	4,5	36	48	41	54	67	13
T225	48	42	57	32	50	12	4,5	36	48	43	58	73	15

Base Mounting Switches

sälzer



Product lines
M200 / T200

Base mounting switch

Door interlock
Modular shaft extension
N/PE connection link

Four hole mounting
36 x 36 mm front
48 x 48 mm base

042V1 (IP66)

043V1 (IP66)

Complete switch	Poles	Product line	Rated data (IEC 60947)			Order code number
			Operational current I _e	Operational power at 380–440 V		
			AC-21A A	AC-23A kW	AC-3 kW	
Rotary Cam Switches Switching angle 30°/45°/60°/90° Padlockable 12h	1 ... 24	M200	20	7,5	5,5	M220 - 61 ... - 042V1
	1 ... 24	T200	25	11	7,5	M225 - 61 ... - 042V1
Rotary Cam Switches Switching angle 90° 3 positions padlockable (09h/12h/03h)	1 ... 24	M200	32	15	11	T225 - 61 ... - 042V1
	1 ... 24	T200	20	7,5	5,5	M220 - 61 ... - 043V1
	1 ... 24	M200	25	11	7,5	M225 - 61 ... - 043V1
	1 ... 24	T200	32	15	11	T225 - 61 ... - 043V1

SMD modules for basic switch

Mounting form module for 042V1/ 043V1

M200
T200

BFD2 - 042
BFF2 - 042

V-operator module 48 x 48 mm, mounting form 042V1
Escutcheon black, handle black

M200 / T200

2AV1 - 12

V-operator module 48 x 48 mm, mounting form 043V1
Escutcheon black, handle black

2AV1 - 99

Legend plate silver, operator module 042V1/ 043V1

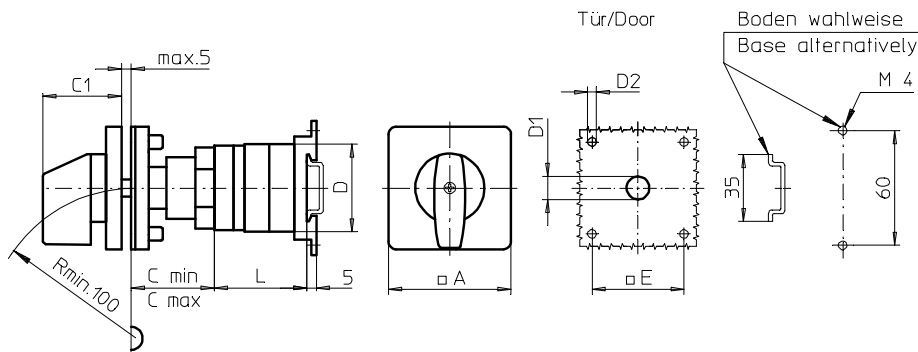
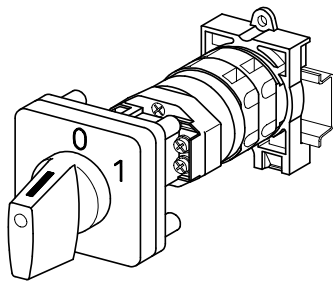
FAS2 - (FA number)

Dimensions (mm)

Product lines	A	C _{min}	C _{max}	C1	D	D1	D2	E1	E2	L with ... stages (max. 12) each add.			stage
										1	2	3	
M220	48	42	57	32	46	12	4,5	36	48	38	48	58	10
M221	48	42	57	32	46	12	4,5	36	48	41	54	67	13
M225	48	42	57	32	48	12	4,5	36	48	41	54	67	13
T225	48	42	57	32	50	12	4,5	36	48	43	58	73	15

Base Mounting Switches

sälzer



Product lines
M200 / T200

Base mounting switch
Operator module of next size

Door interlock
Modular shaft extension
N/PE connection link

Four hole mounting
48 x 48 mm front
Snap on mounting base plate

248M1 (IP66)

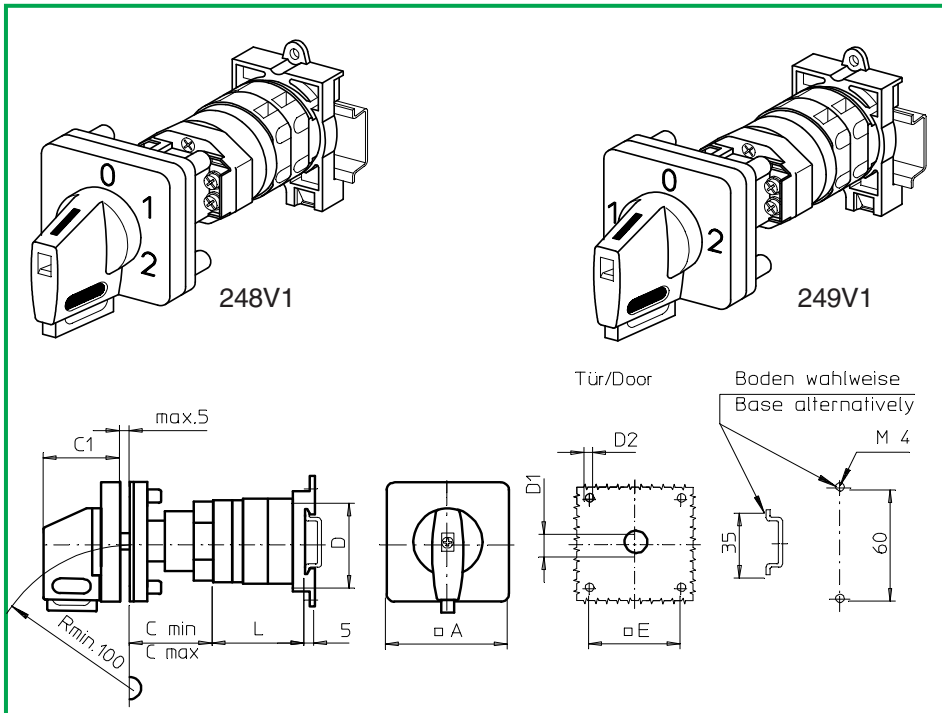
Complete switch	Poles	Product line	Rated data (IEC 60947)			Order code number
			Operational current I _e	Operational power at 380–440 V		
			AC-21A A	AC-23A kW	AC-3 kW	
Rotary Cam Switches Switching angle 30°/45°/60°/90°	1 ... 24	M200	20	7,5	5,5	M220 - 61 ... - 248M1
			25	11	7,5	M225 - 61 ... - 248M1
	1 ... 24	T200	32	15	11	T225 - 61 ... - 248M1

SMD modules for basic switch			
Mounting form module for 248M1		M200 T200	BFD2 - 248 BFF2 - 248
M-operator module 64 x 64 mm, mounting form 248M1 Escutcheon black, handle black		M200 / T200	4AM1
Legend plate silver, operator module 248M1			FAS4 - (FA number)

Dimensions (mm)													
Product lines	A	C _{min}	C _{max}	C1	D	D1	D2	E	L with ... stages (max. 12)				each add. stage
									1	2	3	4	
M220	64	42	57	39	46	15	5	48	37	47	57	67	10
M221	64	42	57	39	46	15	5	48	40	53	66	79	13
M225	64	42	57	39	48	15	5	48	40	53	66	79	13
T225	64	42	57	39	50	15	5	48	42	57	72	87	15

Base Mounting Switches

sälzer



Product lines
M200 / T200

Base mounting switch
Operator module of next size

Door interlock
Modular shaft extension
N/PE connection link

Four hole mounting
48 x 48 mm front
Snap on mounting base plate

248V1 (IP66)

249V1 (IP66)

Complete switch	Poles	Product line	Rated data (IEC 60947)			Order code number
			Operational current I _e	Operational power at 380–440 V		
			AC-21A A	AC-23A kW	AC-3 kW	
Rotary Cam Switches Switching angle 30°/45°/60°/90° Padlockable 12h	1 ... 24	M200	20	7,5	5,5	M220 - 61 ... - 248V1
	1 ... 24	T200	25	11	7,5	M225 - 61 ... - 248V1
Rotary Cam Switches Switching angle 90° 3 positions padlockable (09h/12h/03h)	1 ... 24	M200	32	15	11	T225 - 61 ... - 248V1
	1 ... 24	T200	20	7,5	5,5	M220 - 61 ... - 249V1
	1 ... 24	M200	25	11	7,5	M225 - 61 ... - 249V1
	1 ... 24	T200	32	15	11	T225 - 61 ... - 249V1

SMD modules for basic switch

Mounting form module for 248V1/ 249V1

M200
T200

BFE2 - 248
BFG2 - 248

V-operator module 64 x 64 mm, mounting form 248V1
Escutcheon black, handle black

M200 / T200

4AV1 - 12

V-operator module 64 x 64 mm, mounting form 249V1
Escutcheon black, handle black

4AV1 - 99

Legend plate silver, operator module 248V1/ 249V1

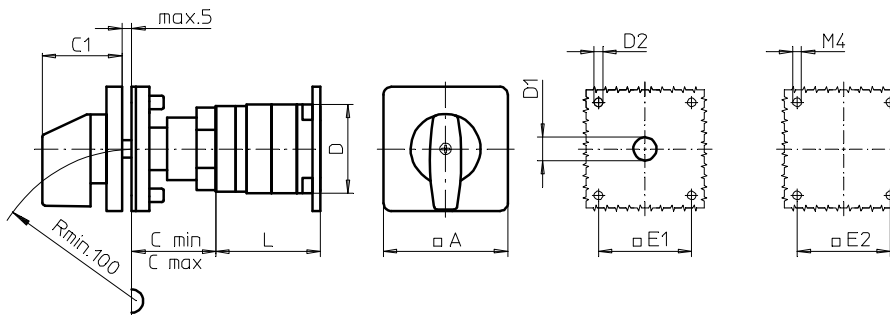
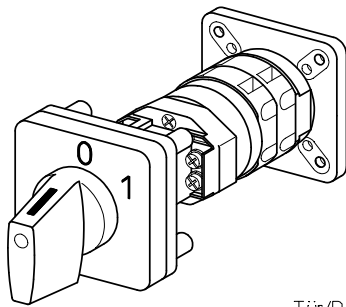
FAS4 - (FA number)

Dimensions (mm)

Product lines	A	C _{min}	C _{max}	C1	D	D1	D2	E	L with ... stages (max. 12)				each add. stage
									1	2	3	4	
M220	64	42	57	39	46	15	5	48	37	47	57	67	10
M221	64	42	57	39	46	15	5	48	40	53	66	79	13
M225	64	42	57	39	48	15	5	48	40	53	66	79	13
T225	64	42	57	39	50	15	5	48	42	57	72	87	15

Base Mounting Switches

sälzer



Product lines
M200 / T200

Base mounting switch
Operator module of next size

Door interlock
Modular shaft extension
N/PE connection link

Four hole mounting
48 x 48 mm front
48 x 48 mm base

048M1 (IP66)

Complete switch	Poles	Product line	Rated data (IEC 60947)			Order code number
			Operational current I _e	Operational power at 380–440 V		
			AC-21A A	AC-23A kW	AC-3 kW	
Rotary Cam Switches Switching angle 30°/45°/60°/90°	1 ... 24	M200	20	7,5	5,5	M220 - 61 ... - 048M1
			25	11	7,5	M225 - 61 ... - 048M1
	1 ... 24	T200	32	15	11	T225 - 61 ... - 048M1

SMD modules for basic switch

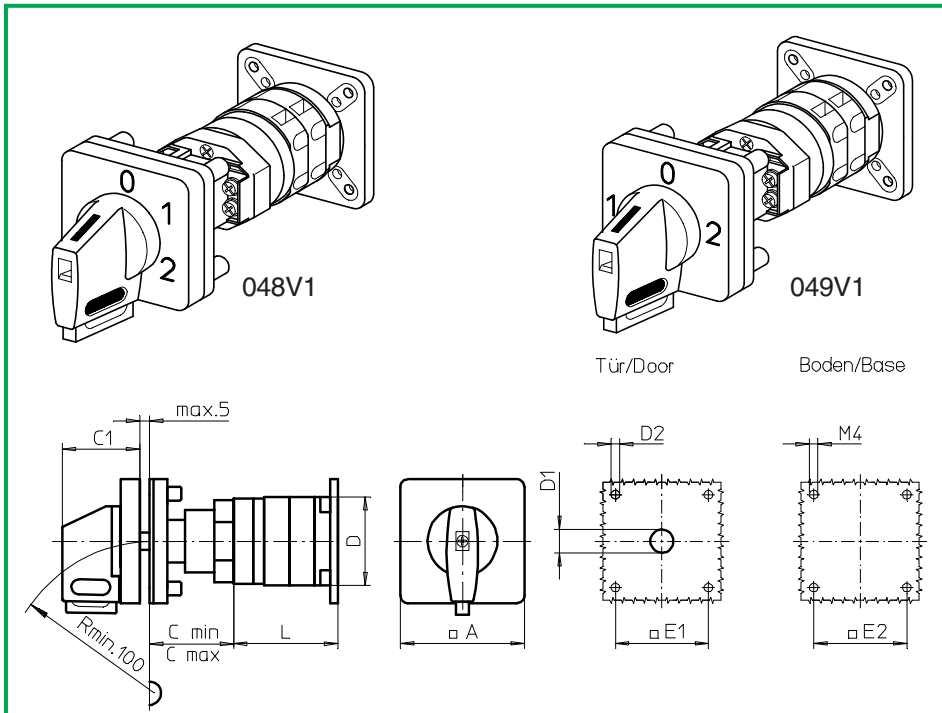
Mounting form module for 048M1	M200 T200	BFD2 - 048 BFF2 - 048
M-operator module 64 x 64 mm, mounting form 048M1 Escutcheon black, handle black	M200 / T200	4AM1
Legend plate silver, operator module 048M1		FAS4 - (FA number)

Dimensions (mm)

Product lines	A	C _{min}	C _{max}	C ₁	D	D ₁	D ₂	E ₁	E ₂	L with ... stages (max. 12) each add.			stage
										1	2	3	
M220	64	42	57	39	46	15	5	48	48	38	48	58	10
M221	64	42	57	39	46	15	5	48	48	41	54	67	13
M225	64	42	57	39	48	15	5	48	48	41	54	67	13
T225	64	42	57	39	50	15	5	48	48	43	58	73	15

Base Mounting Switches

sälzer



Product lines
M200 / T200

Base mounting switch
Operator module of next size

Door interlock
Modular shaft extension
N/PE connection link

Four hole mounting
48 x 48 mm front
48 x 48 mm base

048V1 (IP66)
049V1 (IP66)

Complete switch	Poles	Product line	Rated data (IEC 60947)			Order code number
			Operational current I _e	Operational power at 380–440 V		
			AC-21A A	AC-23A kW	AC-3 kW	
Rotary Cam Switches Switching angle 30°/45°/60°/90° Padlockable 12h	1 ... 24	M200	20	7,5	5,5	M220 - 61 ... - 048V1
			25	11	7,5	M225 - 61 ... - 048V1
	1 ... 24	T200	32	15	11	T225 - 61 ... - 048V1
Rotary Cam Switches Switching angle 90° 3 positions padlockable (09h/12h/03h)	1 ... 24	M200	20	7,5	5,5	M220 - 61 ... - 049V1
			25	11	7,5	M225 - 61 ... - 049V1
	1 ... 24	T200	32	15	11	T225 - 61 ... - 049V1

SMD modules for basic switch

Mounting form module for 048V1/ 049V1

M200
T200

BFE2 - 048
BFG2 - 048

V-operator module 64 x 64 mm, mounting form 048V1
Escutcheon black, handle black

M200 / T200

4AV1 - 12

V-operator module 64 x 64 mm, mounting form 049V1
Escutcheon black, handle black

4AV1 - 99

Legend plate silver, operator module 048V1/ 049V1

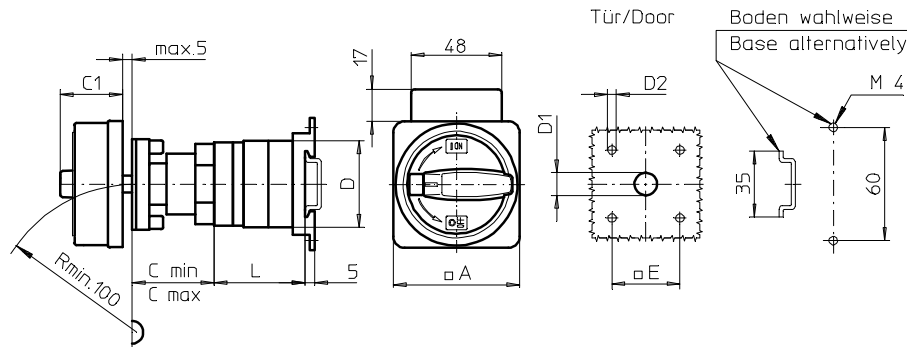
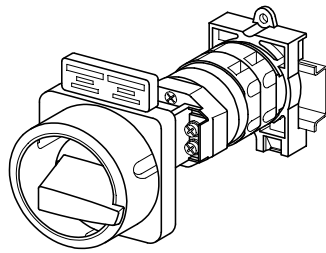
FAS4 - (FA number)

Dimensions (mm)

Product lines	A	C _{min}	C _{max}	C1	D	D1	D2	E1	E2	L with ... stages (max. 12) each add.			stage
										1	2	3	
M220	64	42	57	39	46	15	5	48	48	38	48	58	10
M221	64	42	57	39	46	15	5	48	48	41	54	67	13
M225	64	42	57	39	48	15	5	48	48	41	54	67	13
T225	64	42	57	39	50	15	5	48	48	43	58	73	15

Base Mounting Switches

sälzer



Product lines
M200 / T200

Base mounting switch

Door interlock

Modular shaft extension
N/PE connection link

Four hole mounting

36 x 36 mm front
Snap on mounting base plate

234M1 (IP66)

234M4 (IP66)

Complete switch	Poles	Product line	Rated data (IEC 60947)			Order code number
			Operational current I _e	Operational power at 380–440 V		
			AC-21A A	AC-23A kW	AC-3 kW	
Main Switches	1 ... 24	M200	20	7,5	5,5	M220 - 61 ... - 234M1
Switching angle 90°			25	11	7,5	M225 - 61 ... - 234M1
OFF position padlockable 09h	1 ... 24	T200	32	15	11	T225 - 61 ... - 234M1
Main/Emergency-Off Switches	1 ... 24	M200	20	7,5	5,5	M220 - 61 ... - 234M4
Switching angle 90°			25	11	7,5	M225 - 61 ... - 234M4
OFF position padlockable 09h	1 ... 24	T200	32	15	11	T225 - 61 ... - 234M4

SMD modules for basic switch

Mounting form module for 234M.

M200
T200

BFC2 - 234
BFD2 - 234

M-padlock device 67 x 67 mm, mounting form 234M1
Escutcheon black, padlockable handle black

M200 / T200

2CM1

M-padlock device 67 x 67 mm, mounting form 234M4
Escutcheon yellow, padlockable handle red

2CM4

Additional top escutcheon plate

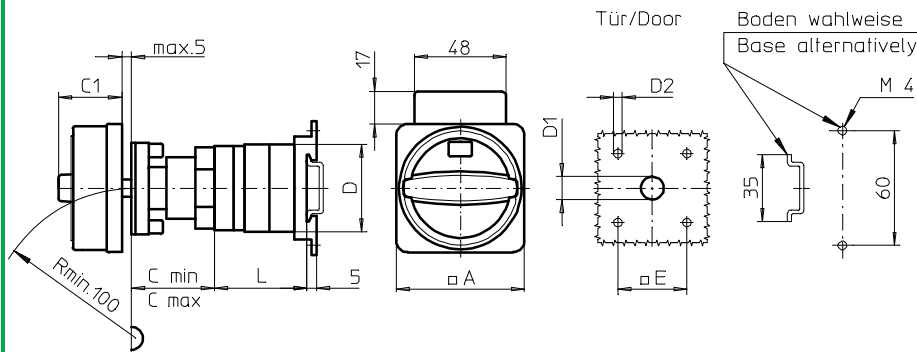
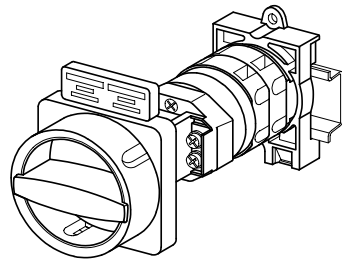
FAZ2 - 8041

Dimensions (mm)

Product lines	A	C _{min}	C _{max}	C1	D	D1	D2	E	L with ... stages (max. 12)				each add. stage
									1	2	3	4	
M220	67	42	57	38	46	15	4,5	36	37	47	57	67	10
M221	67	42	57	38	46	15	4,5	36	40	53	66	79	13
M225	67	42	57	38	48	15	4,5	36	40	53	66	79	13
T225	67	42	57	38	48	15	4,5	36	42	57	72	87	15

Base Mounting Switches

sälzer



Product lines
M200 / T200

Base mounting switch

Door interlock

Modular shaft extension
N/PE connection link

Four hole mounting

36 x 36 mm front
Snap on mounting base plate

234N1 (IP66)

234N4 (IP66)

Complete switch	Poles	Product line	Rated data (IEC 60947)			Order code number
			Operational current I _e	Operational power at 380–440 V		
			AC-21A A	AC-23A kW	AC-3 kW	
Main Switches	1 ... 24	M200	20	7,5	5,5	M220 - 61 ... - 234N1
Switching angle 90°			25	11	7,5	M225 - 61 ... - 234N1
OFF position padlockable 12h	1 ... 24	T200	32	15	11	T225 - 61 ... - 234N1
Main/Emergency-Off Switches	1 ... 24	M200	20	7,5	5,5	M220 - 61 ... - 234N4
Switching angle 90°			25	11	7,5	M225 - 61 ... - 234N4
OFF position padlockable 12h	1 ... 24	T200	32	15	11	T225 - 61 ... - 234N4

SMD modules for basic switch

Mounting form module for 234N.

M200
T200

BFC2 - 234
BFD2 - 234

N-padlock device 67 x 67 mm, mounting form 234N1
Escutcheon black, padlockable handle black

M200 / T200

2CN1

N-padlock device 67 x 67 mm, mounting form 234N4
Escutcheon yellow, padlockable handle red

2CN4

Additional top escutcheon plate

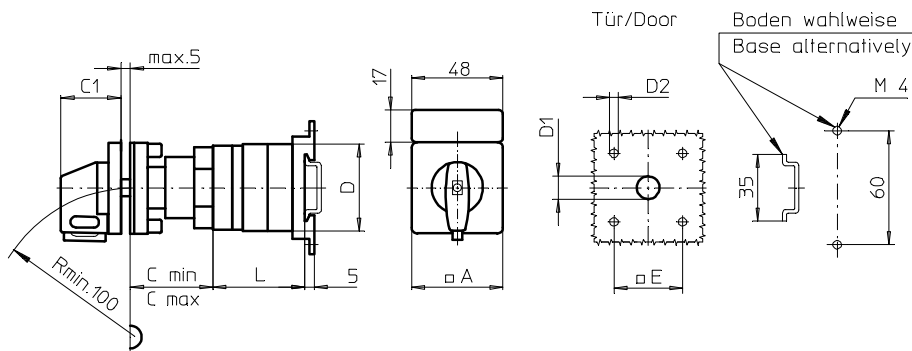
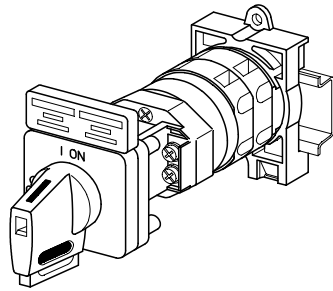
FAZZ - 8041

Dimensions (mm)

Product lines	A	C _{min}	C _{max}	C1	D	D1	D2	E	L with ... stages (max. 12)				each add. stage
									1	2	3	4	
M220	67	42	57	33	46	15	4,5	36	37	47	57	67	10
M221	67	42	57	33	46	15	4,5	36	40	53	66	79	13
M225	67	42	57	33	48	15	4,5	36	40	53	66	79	13
T225	67	42	57	33	50	15	4,5	36	42	57	72	87	15

Base Mounting Switches

sälzer



Product lines
M200 / T200

Base mounting switch

Door interlock

Modular shaft extension
N/PE connection link

Four hole mounting

36 x 36 mm front
Snap on mounting base plate

234V1 (IP66)

234V4 (IP66)

Complete switch	Poles	Product line	Rated data (IEC 60947)			Order code number
			Operational current I _e	Operational power at 380–440 V		
			AC-21A A	AC-23A kW	AC-3 kW	
Main Switches	1 ... 24	M200	20	7,5	5,5	M220 - 61 ... - 234V1
Switching angle 90°			25	11	7,5	M225 - 61 ... - 234V1
OFF position padlockable 09h	1 ... 24	T200	32	15	11	T225 - 61 ... - 234V1
Main/Emergency-Off Switches	1 ... 24	M200	20	7,5	5,5	M220 - 61 ... - 234V4
Switching angle 90°			25	11	7,5	M225 - 61 ... - 234V4
OFF position padlockable 09h	1 ... 24	T200	32	15	11	T225 - 61 ... - 234V4

SMD modules for basic switch

Mounting form module for 234V.

M200
T200

BFB2 - 242
BFE2 - 242

V-operator module 48 x 48 mm, mounting form 234V1

M200 / T200

2AV1 - 09

Escutcheon black, handle black

Legend plate silver, operator module 234V1

FAS2 - 9078

V-operator module 48 x 48 mm, mounting form 234V4

2AV4 - 09

Escutcheon black, handle red

Legend plate yellow, operator module 234V4

FBS2 - 9078

Additional top escutcheon plate

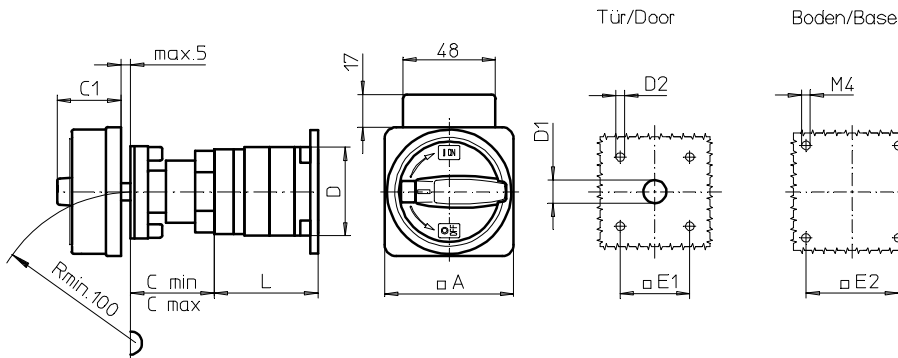
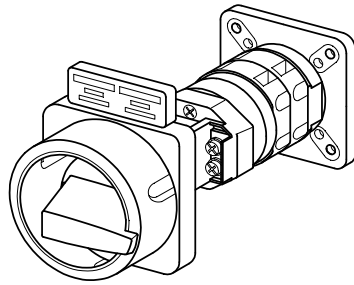
FAZ2 - 8041

Dimensions (mm)

Product lines	A	C _{min}	C _{max}	C1	D	D1	D2	E	L with ... stages (max. 12)				each add. stage
									1	2	3	4	
M220	48	42	57	32	46	12	4,5	36	37	47	57	67	10
M221	48	42	57	32	46	12	4,5	36	40	53	66	79	13
M225	48	42	57	32	48	12	4,5	36	40	53	66	79	13
T225	48	42	57	32	50	12	4,5	36	42	57	72	87	15

Base Mounting Switches

sälzer



Product lines
M200 / T200

Base mounting switch

Door interlock
Modular shaft extension
N/PE connection link

Four hole mounting
36 x 36 mm front
48 x 48 mm base

034M1 (IP66)

034M4 (IP66)

Complete switch	Poles	Product line	Rated data (IEC 60947)			Order code number
			Operational current I _e	Operational power at 380–440 V		
			AC-21A A	AC-23A kW	AC-3 kW	
Main Switches	1 ... 24	M200	20	7,5	5,5	M220 - 61 ... - 034M1
Switching angle 90°			25	11	7,5	M225 - 61 ... - 034M1
OFF position padlockable 09h	1 ... 24	T200	32	15	11	T225 - 61 ... - 034M1
Main/Emergency-Off Switches	1 ... 24	M200	20	7,5	5,5	M220 - 61 ... - 034M4
Switching angle 90°			25	11	7,5	M225 - 61 ... - 034M4
OFF position padlockable 09h	1 ... 24	T200	32	15	11	T225 - 61 ... - 034M4

SMD modules for basic switch

Mounting form module for 034M.

M200
T200

BFC2 - 034
BFD2 - 034

M-padlock device 67 x 67 mm, mounting form 034M1
Escutcheon black, padlockable handle black

M200 / T200

2CM1

M-padlock device 67 x 67 mm, mounting form 034M4
Escutcheon yellow, padlockable handle red

2CM4

Additional top escutcheon plate

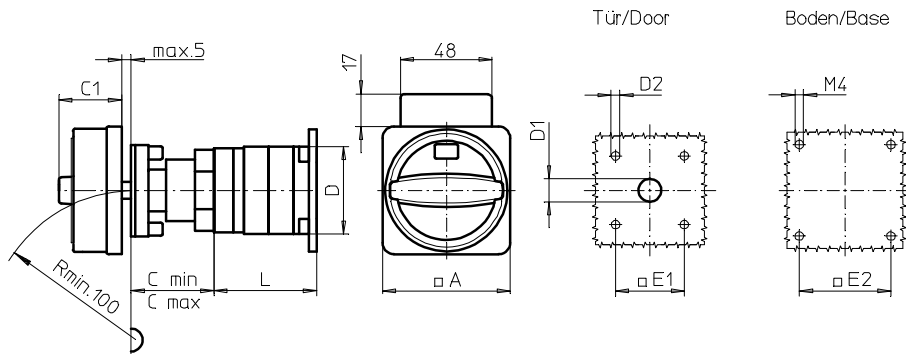
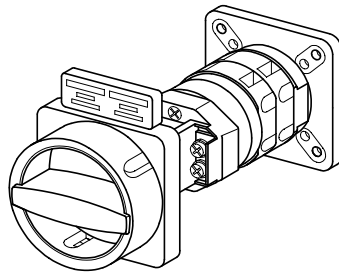
FAZZ - 8041

Dimensions (mm)

Product lines	A	C _{min}	C _{max}	C1	D	D1	D2	E1	E2	L with ... stages (max. 12)			each add. stage
										1	2	3	
M220	67	42	57	38	46	15	4,5	36	48	38	48	58	10
M221	67	42	57	38	46	15	4,5	36	48	41	54	67	13
M225	67	42	57	38	48	15	4,5	36	48	41	54	67	13
T225	67	42	57	38	50	15	4,5	36	48	43	58	73	15

Base Mounting Switches

sälzer



Product lines
M200 / T200

Base mounting switch

Door interlock
Modular shaft extension
N/PE connection link

Four hole mounting
36 x 36 mm front
48 x 48 mm base

034N1 (IP66)
034N4 (IP66)

Complete switch	Poles	Product line	Rated data (IEC 60947)			Order code number
			Operational current I _e	Operational power at 380–440 V		
			AC-21A A	AC-23A kW	AC-3 kW	
Main Switches	1 ... 24	M200	20	7,5	5,5	M220 - 61 ... - 034N1
Switching angle 90°			25	11	7,5	M225 - 61 ... - 034N1
OFF position padlockable 12h	1 ... 24	T200	32	15	11	T225 - 61 ... - 034N1
Main/Emergency-Off Switches	1 ... 24	M200	20	7,5	5,5	M220 - 61 ... - 034N4
Switching angle 90°			25	11	7,5	M225 - 61 ... - 034N4
OFF position padlockable 12h	1 ... 24	T200	32	15	11	T225 - 61 ... - 034N4

SMD modules for basic switch

Mounting form module for 034N.

M200
T200

BFC2 - 034
BFD2 - 034

N-padlock device 67 x 67 mm, mounting form 034N1
Escutcheon black, padlockable handle black

M200 / T200

2CN1

N-padlock device 67 x 67 mm, mounting form 034N4
Escutcheon yellow, padlockable handle red

2CN4

Additional top escutcheon plate

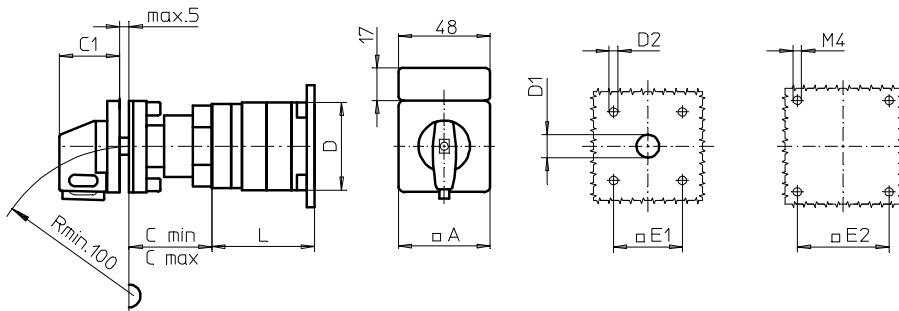
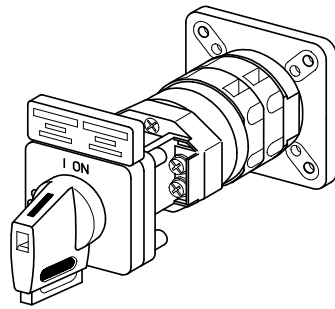
FAZ2 - 8041

Dimensions (mm)

Product lines	A	C _{min}	C _{max}	C1	D	D1	D2	E1	E2	L with ... stages (max. 12)			each add. stage
										1	2	3	
M220	67	42	59	33	46	15	4,5	36	48	38	48	58	10
M221	67	42	59	33	46	15	4,5	36	48	41	54	67	13
M225	67	42	59	33	48	15	4,5	36	48	41	54	67	13
T225	67	42	59	33	50	15	4,5	36	48	43	58	73	15

Base Mounting Switches

sälzer



Product lines
M200 / T200

Base mounting switch

Door interlock

Modular shaft extension
N/PE connection link

Four hole mounting

36 x 36 mm front
48 x 48 mm base

034V1 (IP66)

034V4 (IP66)

Complete switch	Poles	Product line	Rated data (IEC 60947)			Order code number
			Operational current I _e	Operational power at 380–440 V		
			AC-21A A	AC-23A kW	AC-3 kW	
Main Switches	1 ... 24	M200	20	7,5	5,5	M220 - 61 ... - 034V1
Switching angle 90°			25	11	7,5	M225 - 61 ... - 034V1
OFF position padlockable 09h	1 ... 24	T200	32	15	11	T225 - 61 ... - 034V1
Main/Emergency-Off Switches	1 ... 24	M200	20	7,5	5,5	M220 - 61 ... - 034V4
Switching angle 90°			25	11	7,5	M225 - 61 ... - 034V4
OFF position padlockable 09h	1 ... 24	T200	32	15	11	T225 - 61 ... - 034V4

SMD modules for basic switch

Mounting form module for 034V.

M200
T200

BFB2 - 042
BFE2 - 042

V-operator module 48 x 48 mm, mounting form 034V1
Escutcheon black, handle black
Legend plate silver, operator module 034V1

M200 / T200

2AV1 - 09

V-operator module 48 x 48 mm, mounting form 034V4
Escutcheon black, handle red
Legend plate yellow, operator module 034V4

FAS2 - 9078

2AV4 - 09

Additional top escutcheon plate

FBS2 - 9078

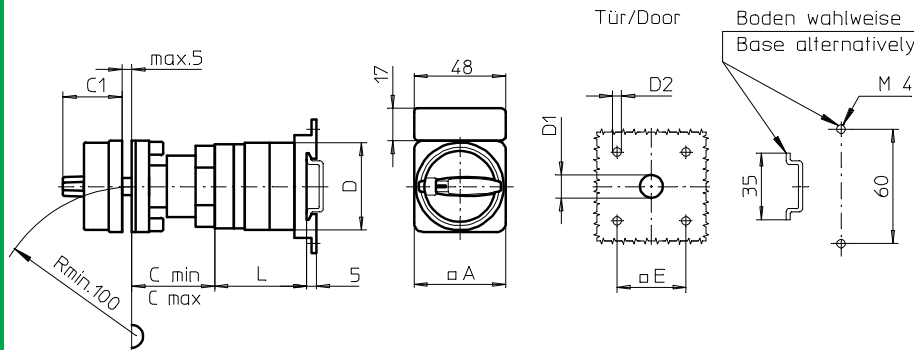
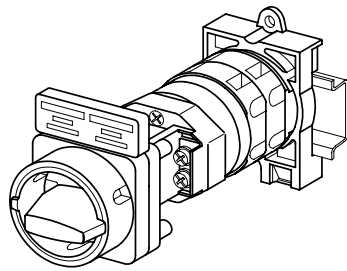
FAZ2 - 8041

Dimensions (mm)

Product lines	A	C _{min}	C _{max}	C1	D	D1	D2	E1	E2	L with ... stages (max. 12)			each add. stage
										1	2	3	
M220	48	42	57	32	46	12	4,5	36	48	38	48	58	10
M221	48	42	57	32	46	12	4,5	36	48	41	54	67	13
M225	48	42	57	32	48	12	4,5	36	48	41	54	67	13
T225	48	42	57	32	50	12	4,5	36	48	43	58	73	15

Base Mounting Switches

sälzer



Product lines
M200 / T200

Base mounting switch

Door interlock

Modular shaft extension
N/PE connection link

Four hole mounting

36 x 36 mm front
Snap on mounting base plate

235M1 (IP66)

235M4 (IP66)

Complete switch	Poles	Product line	Rated data (IEC 60947)			Order code number
			Operational current I _e	Operational power at 380–440 V		
			AC-21A A	AC-23A kW	AC-3 kW	
Main Switches	1 ... 24	M200	20	7,5	5,5	M220 - 61 ... - 235M1
Switching angle 90°			25	11	7,5	M225 - 61 ... - 235M1
OFF position padlockable 09h	1 ... 24	T200	32	15	11	T225 - 61 ... - 235M1
Main/Emergency-Off Switches	1 ... 24	M200	20	7,5	5,5	M220 - 61 ... - 235M4
Switching angle 90°			25	11	7,5	M225 - 61 ... - 235M4
OFF position padlockable 09h	1 ... 24	T200	32	15	11	T225 - 61 ... - 235M4

SMD modules for basic switch

Mounting form module for 235M.

M200
T200

BFB2 - 242
BFE2 - 242

M-padlock device 48 x 48 mm, mounting form 235M1
Escutcheon black, padlockable handle black

M200 / T200

2BM1

M-padlock device 48 x 48 mm, mounting form 235M4
Escutcheon yellow, padlockable handle red

2BM4

Additional top escutcheon plate

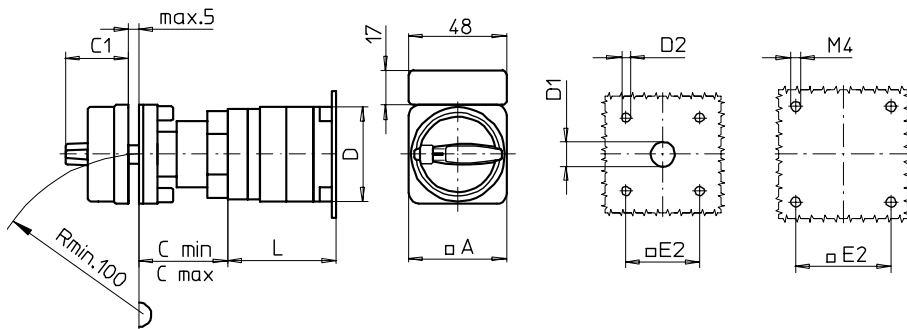
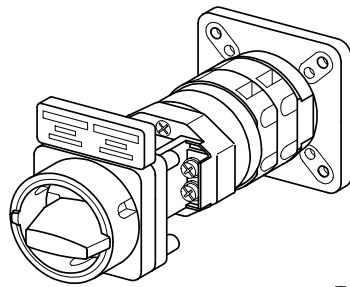
FAZ2 - 8041

Dimensions (mm)

Product lines	A	C _{min}	C _{max}	C1	D	D1	D2	E	L with ... stages (max. 12)				each add. stage
									1	2	3	4	
M220	48	42	57	31	46	12	4,5	36	37	47	57	67	10
M221	48	42	57	31	46	12	4,5	36	40	53	66	79	13
M225	48	42	57	31	48	12	4,5	36	40	53	66	79	13
T225	48	42	57	31	50	12	4,5	36	42	57	72	87	15

Base Mounting Switches

sälzer



Product lines
M200 / T200

Base mounting switch

Door interlock

Modular shaft extension
N/PE connection link

Four hole mounting

36 x 36 mm front
48 x 48 mm base

135M1 (IP66)

135M4 (IP66)

Complete switch	Poles	Product line	Rated data (IEC 60947)			Order code number
			Operational current I _e	Operational power at 380–440 V		
			AC-21A A	AC-23A kW	AC-3 kW	
Main Switches	1 ... 24	M200	20	7,5	5,5	M220 - 61 ... - 135M1
Switching angle 90°			25	11	7,5	M225 - 61 ... - 135M1
OFF position padlockable 09h	1 ... 24	T200	32	15	11	T225 - 61 ... - 135M1
Main/Emergency-Off Switches	1 ... 24	M200	20	7,5	5,5	M220 - 61 ... - 135M4
Switching angle 90°			25	11	7,5	M225 - 61 ... - 135M4
OFF position padlockable 09h	1 ... 24	T200	32	15	11	T225 - 61 ... - 135M4

SMD modules for basic switch

Mounting form module for 135M.

M200
T200

BFB2 - 042
BFE2 - 042

M-padlock device 48 x 48 mm, mounting form 135M1
Escutcheon black, padlockable handle black

M200 / T200

2BM1

M-padlock device 48 x 48 mm, mounting form 135M4
Escutcheon yellow, padlockable handle red

2BM4

Additional top escutcheon plate

FAZZ - 8041

Dimensions (mm)

Product lines	A	C _{min}	C _{max}	C1	D	D1	D2	E1	E2	L with ... stages (max. 12)			each add. stage
										1	2	3	
M220	48	42	57	31	46	12	4,5	36	48	38	48	58	10
M221	48	42	57	31	46	12	4,5	36	48	41	54	67	13
M225	48	42	57	31	48	12	4,5	36	48	41	54	67	13
T225	48	42	57	31	50	12	4,5	36	48	43	58	73	15

Base Mounting Switches

sälzer

Product lines
M200 / T200

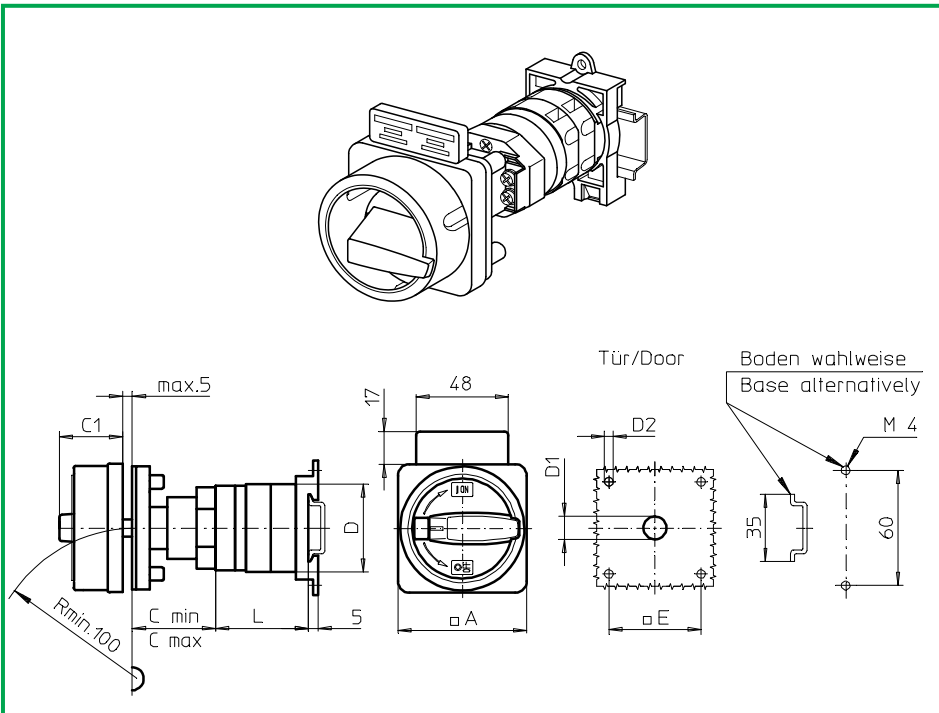
Base mounting switch
Operator module of next size

Door interlock
Modular shaft extension
N/PE connection link

Four hole mounting
48 x 48 mm front
Snap on mounting base plate

238M1 (IP66)

238M4 (IP66)



Complete switch	Poles	Product line	Rated data (IEC 60947)			Order code number
			Operational current I _e	Operational power at 380–440 V		
			AC-21A A	AC-23A kW	AC-3 kW	
Main Switches	1 ... 24	M200	20	7,5	5,5	M220 - 61 ... - 238M1
Switching angle 90°			25	11	7,5	M225 - 61 ... - 238M1
OFF position padlockable 09h	1 ... 24	T200	32	15	11	T225 - 61 ... - 238M1
Main/Emergency-Off Switches	1 ... 24	M200	20	7,5	5,5	M220 - 61 ... - 238M4
Switching angle 90°			25	11	7,5	M225 - 61 ... - 238M4
OFF position padlockable 09h	1 ... 24	T200	32	15	11	T225 - 61 ... - 238M4

SMD modules for basic switch

Mounting form module for 238M.

M200
T200

BFC2 - 238
BFD2 - 238

M-padlock device 67 x 67 mm, mounting form 238M1
Escutcheon black, padlockable handle black

M200 / T200

4BM1

M-padlock device 67 x 67 mm, mounting form 238M4
Escutcheon yellow, padlockable handle red

4BM4

Additional top escutcheon plate

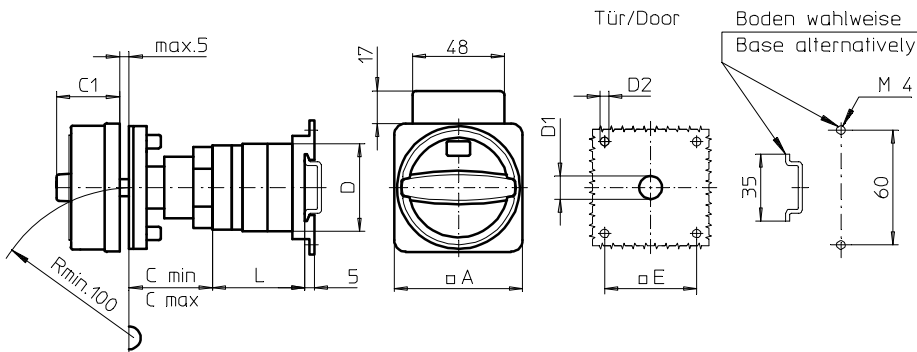
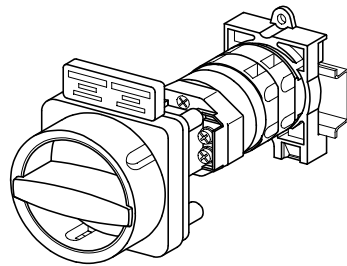
FAZ2 - 8041

Dimensions (mm)

Product lines	A	C _{min}	C _{max}	C1	D	D1	D2	E	L with ... stages (max. 12)				each add. stage
									1	2	3	4	
M220	67	42	57	38	46	15	5	48	37	47	57	67	10
M221	67	42	57	38	46	15	5	48	40	53	66	79	13
M225	67	42	57	38	48	15	5	48	40	53	66	79	13
T225	67	42	57	38	50	15	5	48	42	57	72	87	15

Base Mounting Switches

sälzer



Product lines
M200 / T200

Base mounting switch
Operator module of next size

Door interlock
Modular shaft extension
N/PE connection link

Four hole mounting
48 x 48 mm front
Snap on mounting base plate

238N1 (IP66)

238N4 (IP66)

Complete switch	Poles	Product line	Rated data (IEC 60947)			Order code number
			Operational current I _e	Operational power at 380–440 V		
			AC-21A A	AC-23A kW	AC-3 kW	
Main Switches	1 ... 24	M200	20	7,5	5,5	M220 - 61 ... - 238N1
Switching angle 90°			25	11	7,5	M225 - 61 ... - 238N1
OFF position padlockable 12h	1 ... 24	T200	32	15	11	T225 - 61 ... - 238N1
Main/Emergency-Off Switches	1 ... 24	M200	20	7,5	5,5	M220 - 61 ... - 238N4
Switching angle 90°			25	11	7,5	M225 - 61 ... - 238N4
OFF position padlockable 12h	1 ... 24	T200	32	15	11	T225 - 61 ... - 238N4

SMD modules for basic switch

Mounting form module for 238N.

M200
T200

BFC2 - 238
BFD2 - 238

N-padlock device 67 x 67 mm, mounting form 238N1
Escutcheon black, padlockable handle black

M200 / T200

4BN1

N-padlock device 67 x 67 mm, mounting form 238N4
Escutcheon yellow, padlockable handle red

4BN4

Additional top escutcheon plate

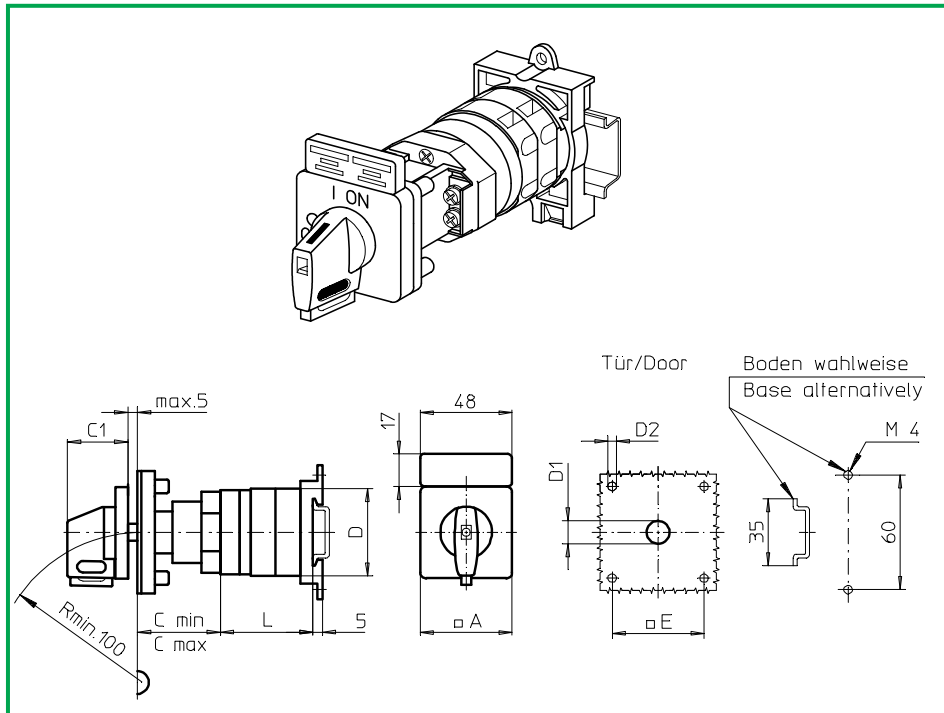
FAZZ - 8041

Dimensions (mm)

Product lines	A	C _{min}	C _{max}	C1	D	D1	D2	E	L with ... stages (max. 12)				each add. stage
									1	2	3	4	
M220	67	42	57	33	46	15	5	48	37	47	57	67	10
M221	67	42	57	33	46	15	5	48	40	53	66	79	13
M225	67	42	57	33	48	15	5	48	40	53	66	79	13
T225	67	42	57	33	50	15	5	48	42	57	72	87	15

Base Mounting Switches

sälzer



Product lines
M200 / T200

Base mounting switch
Operator module of next size

Door interlock
Modular shaft extension
N/PE connection link

Four hole mounting
48 x 48 mm front
Snap on mounting base plate

238V1 (IP66)

238V4 (IP66)

Complete switch	Poles	Product line	Rated data (IEC 60947)			Order code number
			Operational current I _e	Operational power at 380–440 V		
			AC-21A A	AC-23A kW	AC-3 kW	
Main Switches	1 ... 24	M200	20	7,5	5,5	M220 - 61 ... - 238V1
Switching angle 90°			25	11	7,5	M225 - 61 ... - 238V1
OFF position padlockable 09h	1 ... 24	T200	32	15	11	T225 - 61 ... - 238V1
Main/Emergency-Off Switches	1 ... 24	M200	20	7,5	5,5	M220 - 61 ... - 238V4
Switching angle 90°			25	11	7,5	M225 - 61 ... - 238V4
OFF position padlockable 09h	1 ... 24	T200	32	15	11	T225 - 61 ... - 238V4

SMD modules for basic switch

Mounting form module for 238V.

M200
T200

BFD2 - 248
BFF2 - 248

V-operator module 64 x 64 mm, mounting form 238V1
Escutcheon black, handle black
Legend plate silver, operator module 238V1

M200 / T200

4AV1 - 09

V-operator module 64 x 64 mm, mounting form 238V4
Escutcheon black, handle red
Legend plate yellow, operator module 238V4

FAS4 - 9078

4AV4 - 09

Additional top escutcheon plate

FBS4 - 9078

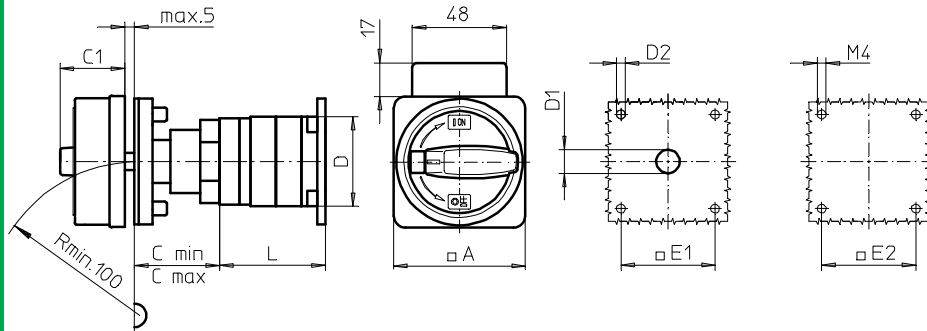
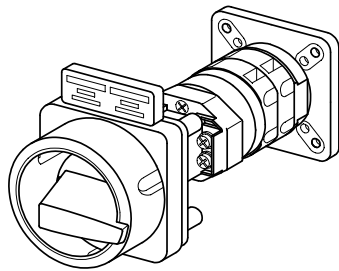
FAZ2 - 8041

Dimensions (mm)

Product lines	A	C _{min}	C _{max}	C1	D	D1	D2	E	L with ... stages (max. 12)				each add. stage
									1	2	3	4	
M220	64	42	57	39	46	15	5	48	37	47	57	67	10
M221	64	42	57	39	46	15	5	48	40	53	66	79	13
M225	64	42	57	39	48	15	5	48	40	53	66	79	13
T225	64	42	57	39	50	15	5	48	42	57	72	87	15

Base Mounting Switches

sälzer



Product lines
M200 / T200

Base mounting switch
Operator module of next size

Door interlock
Modular shaft extension
N/PE connection link

Four hole mounting
48 x 48 mm front
48 x 48 mm base

038M1 (IP66)

038M4 (IP66)

Complete switch	Poles	Product line	Rated data (IEC 60947)			Order code number
			Operational current I _e	Operational power at 380–440 V		
			AC-21A A	AC-23A kW	AC-3 kW	
Main Switches	1 ... 24	M200	20	7,5	5,5	M220 - 61 ... - 038M1
Switching angle 90°			25	11	7,5	M225 - 61 ... - 038M1
OFF position padlockable 09h	1 ... 24	T200	32	15	11	T225 - 61 ... - 038M1
Main/Emergency-Off Switches	1 ... 24	M200	20	7,5	5,5	M220 - 61 ... - 038M4
Switching angle 90°			25	11	7,5	M225 - 61 ... - 038M4
OFF position padlockable 09h	1 ... 24	T200	32	15	11	T225 - 61 ... - 038M4

SMD modules for basic switch

Mounting form module for 038M.

M200
T200

BFC2 - 038
BFD2 - 038

M-padlock device 67 x 67 mm, mounting form 038M1
Escutcheon black, padlockable handle black

M200 / T200

4BM1

M-padlock device 67 x 67 mm, mounting form 038M4
Escutcheon yellow, padlockable handle red

4BM4

Additional top escutcheon plate

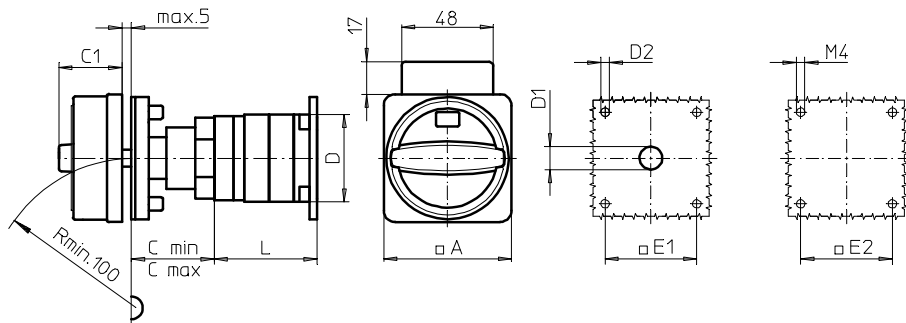
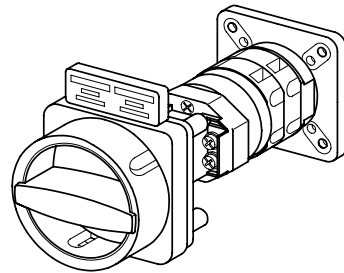
FAZZ - 8041

Dimensions (mm)

Product lines	A	C _{min}	C _{max}	C1	D	D1	D2	E1	E2	L with ... stages (max. 12) each add.			stage
										1	2	3	
M220	67	42	57	38	46	15	5	48	48	38	48	58	10
M221	67	42	57	38	46	15	5	48	48	41	54	67	13
M225	67	42	57	38	48	15	5	48	48	41	54	67	13
T225	67	42	57	38	50	15	5	48	48	43	58	73	15

Base Mounting Switches

sälzer



Product lines
M200 / T200

Base mounting switch
Operator module of next size

Door interlock
Modular shaft extension
N/PE connection link

Four hole mounting
48 x 48 mm front
48 x 48 mm base

038N1 (IP66)
038N4 (IP66)

Complete switch	Poles	Product line	Rated data (IEC 60947)			Order code number
			Operational current I _e	Operational power at 380–440 V		
			AC-21A A	AC-23A kW	AC-3 kW	
Main Switches	1 ... 24	M200	20	7,5	5,5	M220 - 61 ... - 038N1
Switching angle 90°			25	11	7,5	M225 - 61 ... - 038N1
OFF position padlockable 12h	1 ... 24	T200	32	15	11	T225 - 61 ... - 038N1
Main/Emergency-Off Switches	1 ... 24	M200	20	7,5	5,5	M220 - 61 ... - 038N4
Switching angle 90°			25	11	7,5	M225 - 61 ... - 038N4
OFF position padlockable 12h	1 ... 24	T200	32	15	11	T225 - 61 ... - 038N4

SMD modules for basic switch

Mounting form module for 038N.

M200
T200

BFC2 - 038
BFD2 - 038

N-padlock device 67 x 67 mm, mounting form 038N1
Escutcheon black, padlockable handle black

M200 / T200

4BN1

N-padlock device 67 x 67 mm, mounting form 038N4
Escutcheon yellow, padlockable handle red

4BN4

Additional top escutcheon plate

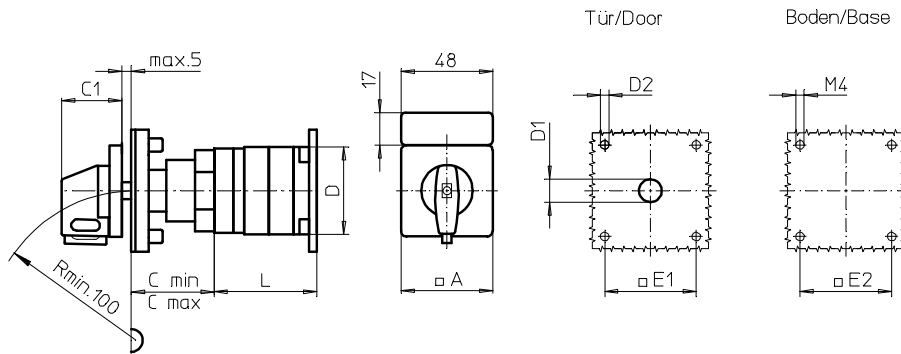
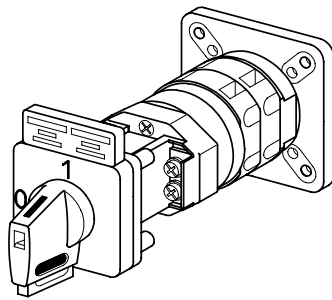
FAZ2 - 8041

Dimensions (mm)

Product lines	A	C _{min}	C _{max}	C1	D	D1	D2	E1	E2	L with ... stages (max. 12)			each add. stage
										1	2	3	
M220	67	42	57	33	46	15	5	48	48	38	48	58	10
M221	67	42	57	33	46	15	5	48	48	41	54	67	13
M225	67	42	57	33	48	15	5	48	48	41	54	67	13
T225	67	42	57	33	50	15	5	48	48	43	58	73	15

Base Mounting Switches

sälzer



Product lines
M200 / T200

Base mounting switch
Operator module of next size

Door interlock
Modular shaft extension
N/PE connection link

Four hole mounting
48 x 48 mm front
48 x 48 mm base

038V1 (IP66)

038V4 (IP66)

Complete switch	Poles	Product line	Rated data (IEC 60947)			Order code number
			Operational current I _e	Operational power at 380–440 V		
			AC-21A A	AC-23A kW	AC-3 kW	
Main Switches	1 ... 24	M200	20	7,5	5,5	M220 - 61 ... - 038V1
Switching angle 90°			25	11	7,5	M225 - 61 ... - 038V1
OFF position padlockable 09h	1 ... 24	T200	32	15	11	T225 - 61 ... - 038V1
Main/Emergency-Off Switches	1 ... 24	M200	20	7,5	5,5	M220 - 61 ... - 038V4
Switching angle 90°			25	11	7,5	M225 - 61 ... - 038V4
OFF position padlockable 09h	1 ... 24	T200	32	15	11	T225 - 61 ... - 038V4

SMD modules for basic switch

Mounting form module for 038V.

M200
T200

BFD2 - 048
BFF2 - 048

V-operator module 64 x 64 mm, mounting form 038V1
Escutcheon black, handle black
Legend plate silver, operator module 038V1

M200 / T200

4AV1 - 09

V-operator module 64 x 64 mm, mounting form 038V4
Escutcheon black, handle red
Legend plate yellow, operator module 038V4

FAS4 - 9078

4AV4 - 09

Additional top escutcheon plate

FBS4 - 9078

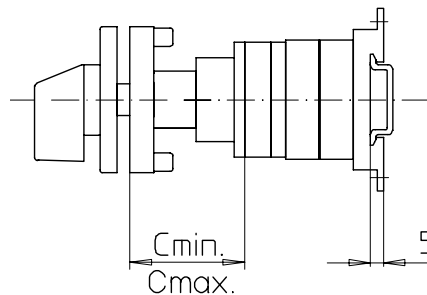
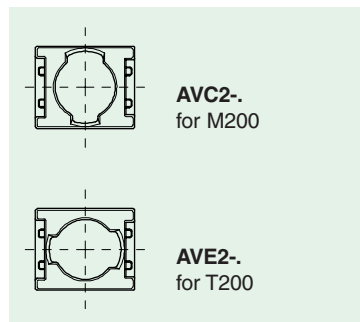
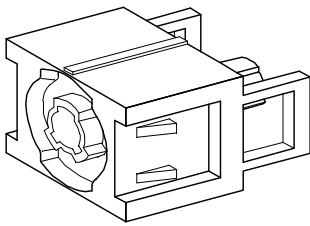
FAZ2 - 8041

Dimensions (mm)

Product lines	A	C _{min}	C _{max}	C1	D	D1	D2	E1	E2	L with ... stages (max. 12)			each add. stage
										1	2	3	
M220	64	42	57	39	46	15	5	48	48	38	48	58	10
M221	64	42	57	39	46	15	5	48	48	41	54	67	13
M225	64	42	57	39	48	15	5	48	48	41	54	67	13
T225	64	42	57	39	50	15	5	48	48	43	58	73	15

Modular shaft extension

sälzer



Product lines
M200 / T200

Base mounting switch

Door interlock
Modular shaft extension

Four hole mounting
Front

AVC2 - .
AVE2 - .

Modular shaft extensions for use with door interlock M200/T200

Dimensions C_{min} , C_{max}

No.	C_{min}	C_{max}	Quantity	Order code number for M200	Order code number for T200
0	42 mm	57 mm	-	-	-
1	64 mm	82 mm	1	AVC2 - 1	AVE2 - 1
2	89 mm	107 mm	1	AVC2 - 2	AVE2 - 2
3	114 mm	132 mm	1	AVC2 - 3	AVE2 - 3
4	139 mm	157 mm	1	AVC2 - 4	AVE2 - 4
5	164 mm	182 mm	1	AVC2 - 5	AVE2 - 5
6	189 mm	207 mm	1	AVC2 - 6	AVE2 - 6



Section C

	Page
	from to
Insulated Enclosures	C1-1 C1-14

Originator: Sälzer Electric GmbH · Product Data Management (PDM) · 09306 Rochlitz (Germany)
Copyright reserved by Sälzer Electric GmbH. This document replaces all previous issues.
Valid until a new version is published. Changes and revisions reserved.

Enclosed Switches

sälzer

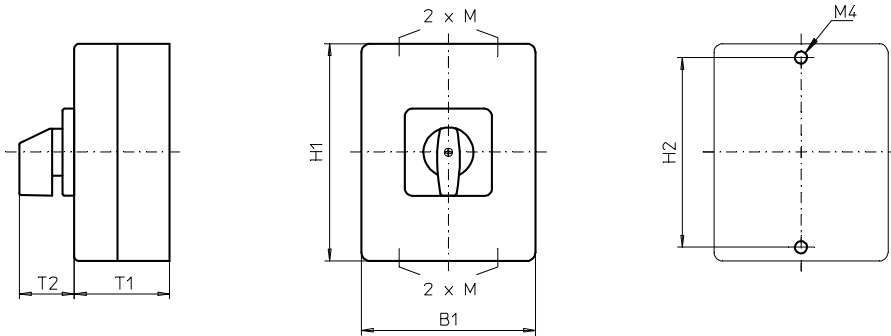
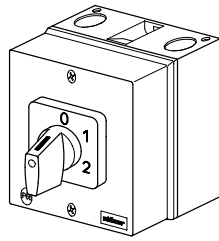
Product line
M200

Enclosed Switches

Insulated enclosure
100 x 80 x 65 mm

Cable entries
4 x M20

076M1 (IP66)



Complete switch	Poles	Product line	Rated data (IEC 60947)			Order code number
			Operational current I_e	Operational power at 380–440 V		
			AC-21A A	AC-23A kW	AC-3 kW	
Rotary Cam Switches Switching angle 30°/45°/60°/90°	1 ... 4	M200	20	7,5	5,5	M220 - 61 ... - 076M1

SMD modules for basic switch

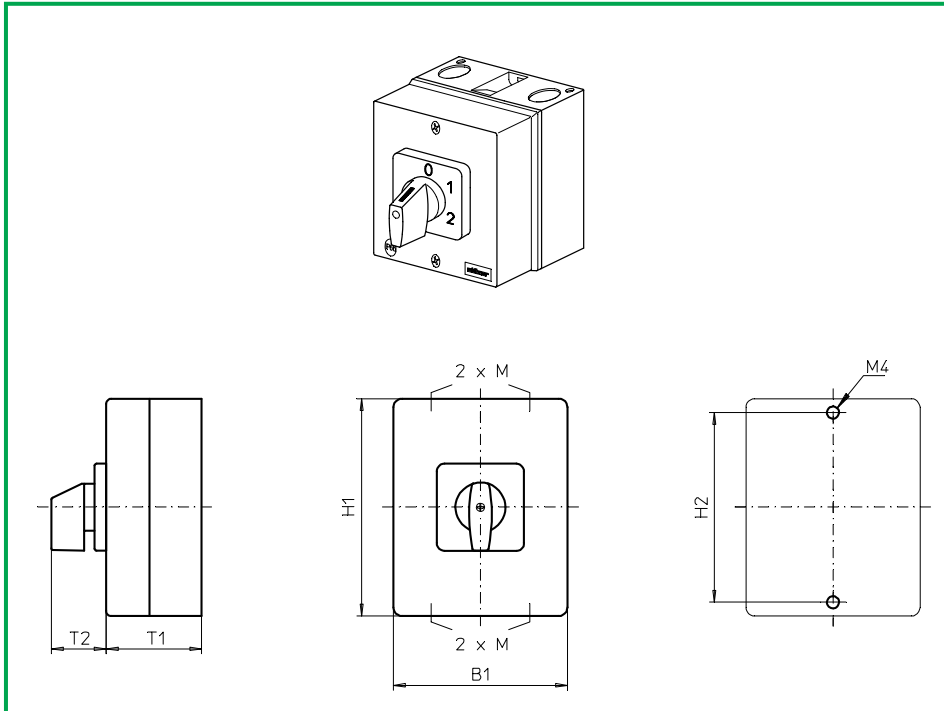
Mounting form module for 076M1, 1 contact stage	M220	BFE2 - EA
Mounting form module for 076M1, 2 contact stages	M220	BFF2 - EA
Enclosure module, mounting form 076M1		PAM2 - 076M1
Legend plate silver, enclosure module 076M1		FAS2 - (FA number)

Dimensions (mm)

Product line	H1	B1	T1	T2	2xM	H2
M220	100	80	65	32	20	90

Enclosed Switches

sälzer



Product line
M200

Enclosed Switches

Insulated enclosure
100 x 80 x 85 mm

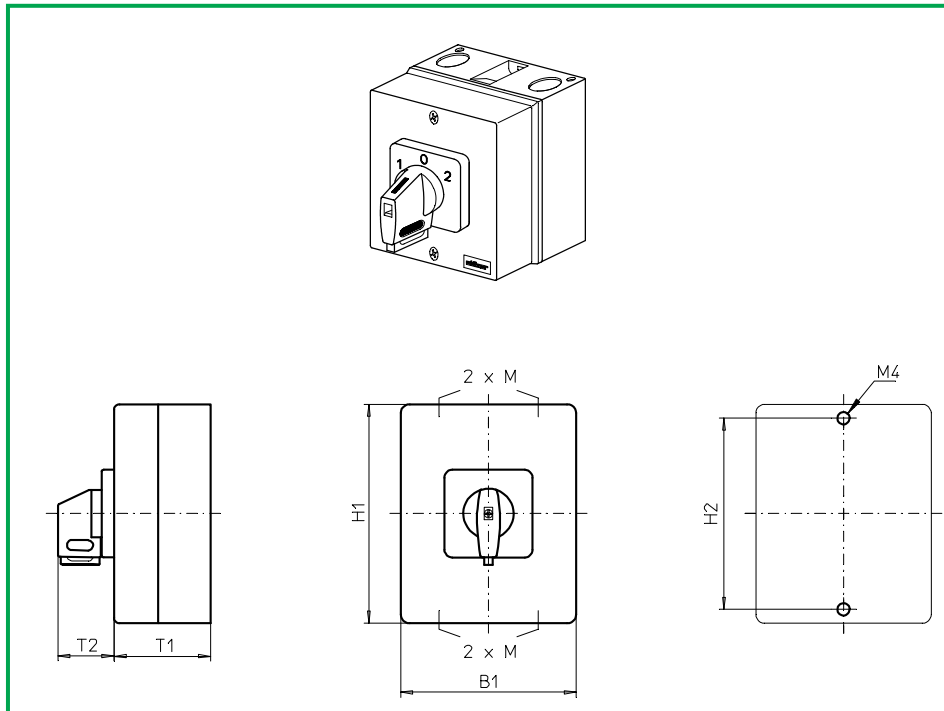
Cable entries
4 x M20

176M1 (IP66)

Complete switch	Poles	Product line	Rated data (IEC 60947)			Order code number
			Operational current I _e	Operational power at 380–440 V		
			AC-21A A	AC-23A kW	AC-3 kW	
Rotary Cam Switches Switching angle 30°/45°/60°/90°	5 ... 8	M200	20	7,5	5,5	M220 - 61 ... - 176M1
SMD modules for basic switch						
Mounting form module for 176M1, 3 contact stages			M220			BFE2 - EA
Mounting form module for 176M1, 4 contact stages			M220			BFF2 - EA
Enclosure module, mounting form 176M1						PAM2 - 176M1
Legend plate silver, enclosure module 176M1						FAS2 - (FA number)
Dimensions (mm)						
Product line	H1	B1	T1	T2	2xM	H2
M220	100	80	85	32	20	90

Enclosed Switches

sälzer



Product line
M200

Enclosed Switches

Insulated enclosure
100 x 80 x 65 mm

Cable entries
4 x M20

076V1 (IP66)
078V1 (IP66)

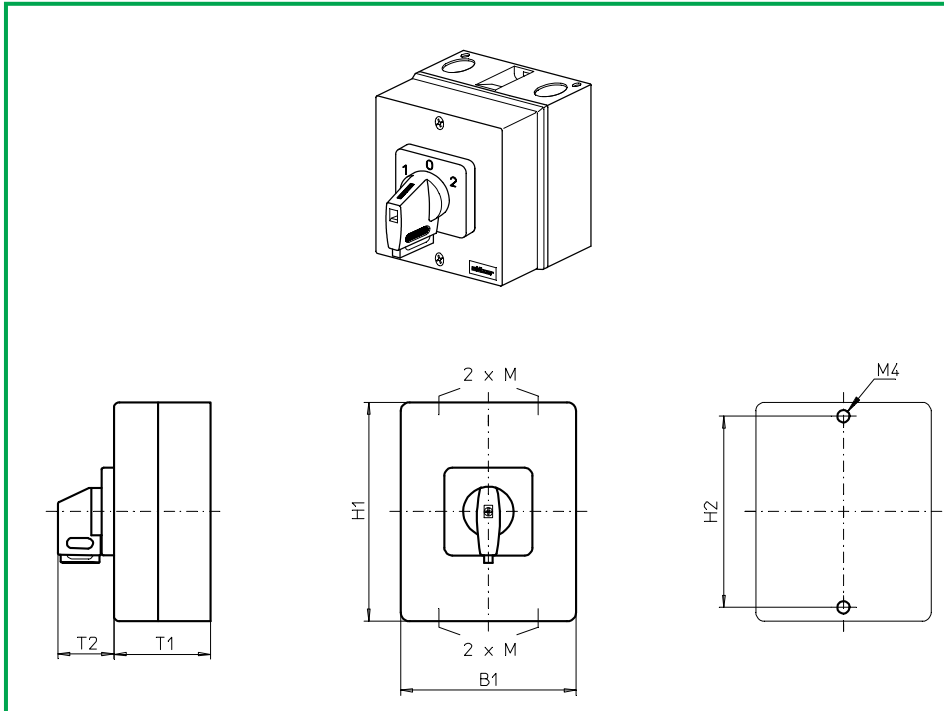
Complete switch	Poles	Product line	Rated data (IEC 60947)			Order code number
			Operational current I_e	Operational power at 380–440 V		
			AC-21A A	AC-23A kW	AC-3 kW	
Rotary Cam Switches Switching angle 30°/45°/60°/90° Padlockable 12h	1 ... 4	M200	20	7,5	5,5	M220 - 61 ... - 076V1
Rotary Cam Switches Switching angle 90° 3 positions padlockable (09h/12h/03h)	1 ... 4	M200	20	7,5	5,5	M220 - 61 ... - 078V1

SMD modules for basic switch						
Mounting form module for 076V1/ 078V1, 1 contact stage				M220		BFE2 - EA
Mounting form module for 076V1/ 078V1, 2 contact stages				M220		BFF2 - EA
Enclosure module, mounting form 076V1						PAM2 - 076V1
Enclosure module, mounting form 078V1						PAM2 - 078V1
Legend plate silver, enclosure module 076V1/ 078V1						FAS2 - (FA number)

Dimensions (mm)						
Product line	H1	B1	T1	T2	2xM	H2
M220	100	80	65	32	20	90

Enclosed Switches

sälzer



Product line
M200

Enclosed Switches

Insulated enclosure
100 x 80 x 85 mm

Cable entries
4 x M20

176V1 (IP66)
178V1 (IP66)

Complete switch	Poles	Product line	Rated data (IEC 60947)			Order code number
			Operational current I _e	Operational power at 380–440 V		
			AC-21A A	AC-23A kW	AC-3 kW	
Rotary Cam Switches Switching angle 30°/45°/60°/90° Padlockable 12h	5 ... 8	M200	20	7,5	5,5	M220 - 61 ... - 176V1
Rotary Cam Switches Switching angle 90° 3 positions padlockable (09h/12h/03h)	5 ... 8	M200	20	7,5	5,5	M220 - 61 ... - 178V1

SMD modules for basic switch

Mounting form module for 176V1/ 178V1, 3 contact stages
Mounting form module for 176V1/ 178V1, 4 contact stages

M220
M220

BFE2 - EA
BFF2 - EA

Enclosure module, mounting form 176V1
Enclosure module, mounting form 178V1

PAM2 - 176V1
PAM2 - 178V1

Legend plate silver, enclosure module 176V1/ 178V1

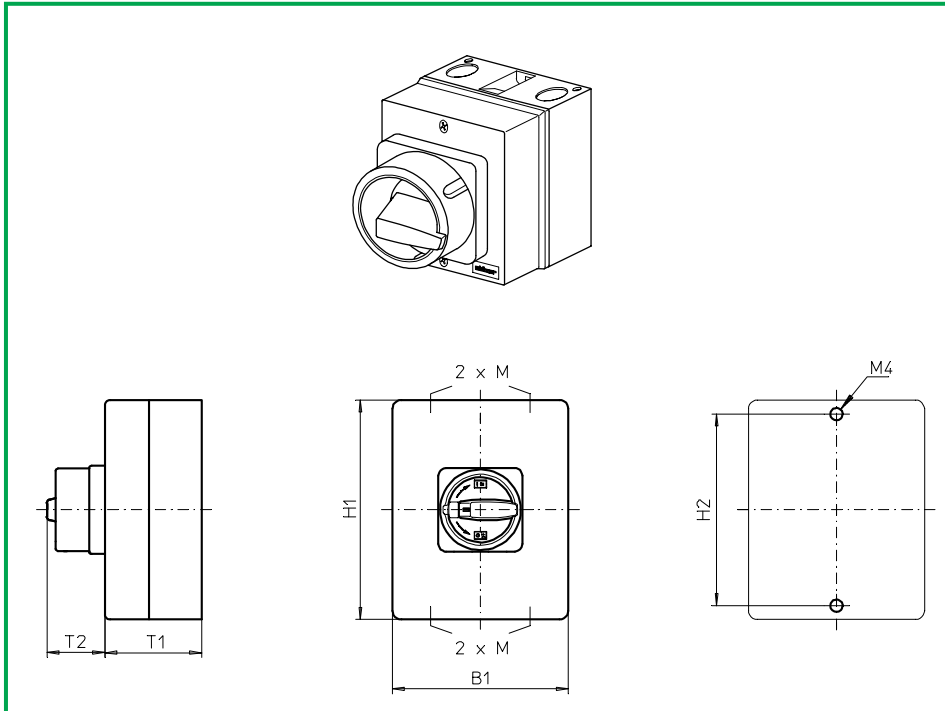
FAS2 - (FA number)

Dimensions (mm)

Product line	H1	B1	T1	T2	2xM	H2
M220	100	80	85	32	20	90

Enclosed Switches

sälzer



Product line
M200

Enclosed Switches

Insulated enclosure
100 x 80 x 65 mm

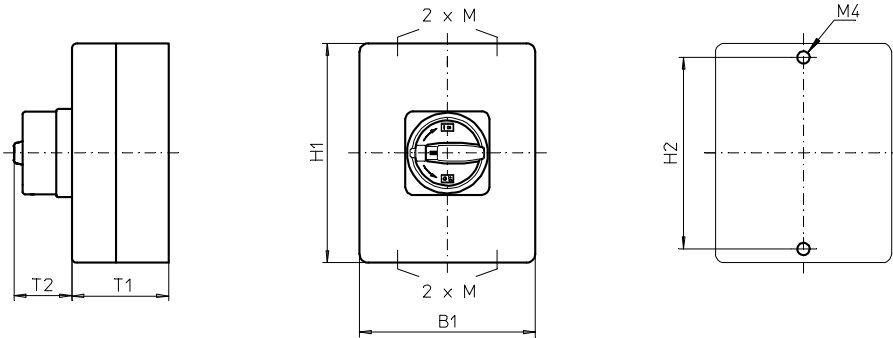
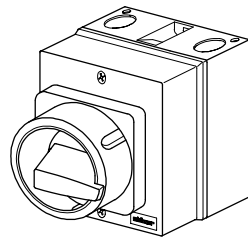
Cable entries
4 x M20

077M1 (IP66)
077M4 (IP66)

Complete switch	Poles	Product line	Rated data (IEC 60947)			Order code number
			Operational current I _e	Operational power at 380–440 V		
			AC-21A A	AC-23A kW	AC-3 kW	
Main Switches OFF position padlockable 09h	1 ... 4	M200	20	7,5	5,5	M220 - 61 ... - 077M1
Main/Emergency-Off Switches OFF position padlockable 09h	1 ... 4	M200	20	7,5	5,5	M220 - 61 ... - 077M4
SMD modules for basic switch						
Mounting form module for 077M., 1 contact stage			M220			BFE2 - EA
Mounting form module for 077M., 2 contact stages			M220			BFF2 - EA
Enclosure module, mounting form 077M1						PAM2 - 077M1
Enclosure module, mounting form 077M4						PAM2 - 077M4
Dimensions (mm)						
Product line	H1	B1	T1	T2	2xM	H2
M220	100	80	65	38	20	90

Enclosed Switches

sälzer



Product line
M200

Enclosed Switches

Insulated enclosure
100 x 80 x 85 mm

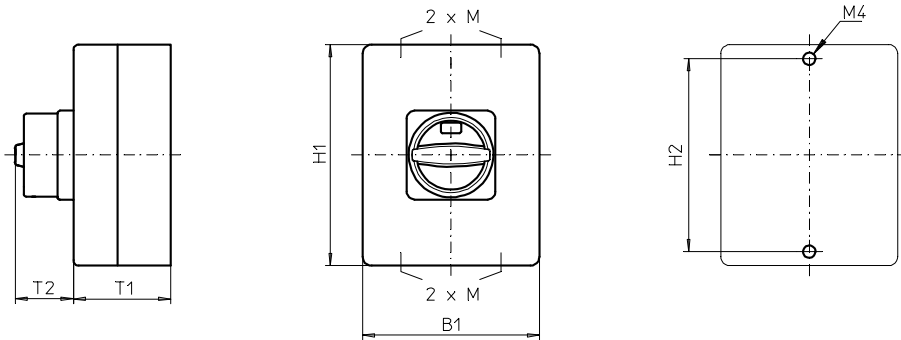
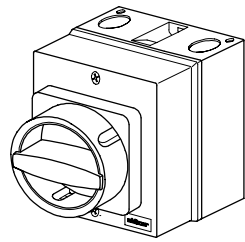
Cable entries
4 x M20

177M1 (IP66)
177M4 (IP66)

Complete switch	Poles	Product line	Rated data (IEC 60947)			Order code number
			Operational current I _e	Operational power at 380–440 V		
			AC-21A A	AC-23A kW	AC-3 kW	
Main Switches OFF position padlockable 09h	5 ... 8	M200	20	7,5	5,5	M220 - 61 ... - 177M1
Main/Emergency-Off Switches OFF position padlockable 09h	5 ... 8	M200	20	7,5	5,5	M220 - 61 ... - 177M4
SMD modules for basic switch						
Mounting form module for 177M., 3 contact stages			M220			BFE2 - EA
Mounting form module for 177M., 4 contact stages			M220			BFF2 - EA
Enclosure module, mounting form 177M1						PAM2 - 177M1
Enclosure module, mounting form 177M4						PAM2 - 177M4
Dimensions (mm)						
Product line	H1	B1	T1	T2	2xM	H2
M220	100	80	85	38	20	90

Enclosed Switches

sälzer



Product line
M200

Enclosed Switches

Insulated enclosure
100 x 80 x 65 mm

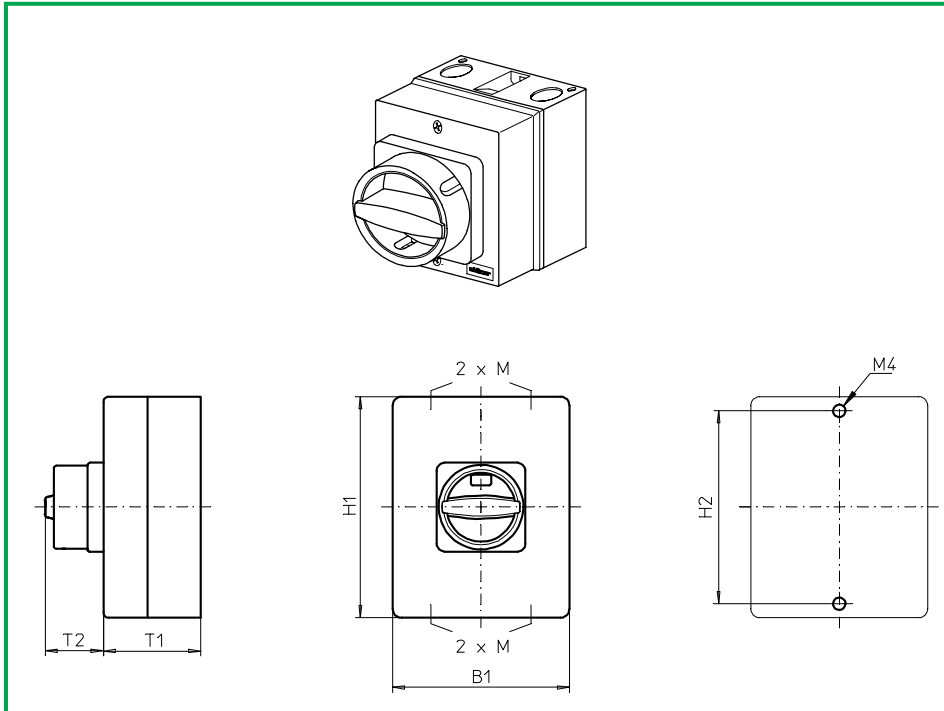
Cable entries
4 x M20

077N1 (IP66)
077N4 (IP66)

Complete switch	Poles	Product line	Rated data (IEC 60947)			Order code number
			Operational current I _e AC-21A A	Operational power at 380–440 V AC-23A kW		
Main Switches OFF position padlockable 12h	1 ... 4	M200	20	7,5	5,5	M220 - 61 ... - 077N1
Main/Emergency-Off Switches OFF position padlockable 12h	1 ... 4	M200	20	7,5	5,5	M220 - 61 ... - 077N4
SMD modules for basic switch						
Mounting form module for 077N., 1 contact stage			M220			BFE2 - EA
Mounting form module for 077N., 2 contact stages			M220			BFF2 - EA
Enclosure module, mounting form 077N1						PAM2 - 077N1
Enclosure module, mounting form 077N4						PAM2 - 077N4
Dimensions (mm)						
Product line	H1	B1	T1	T2	2xM	H2
M220	100	80	65	33	20	90

Enclosed Switches

sälzer



Product line
M200

Enclosed Switches

Insulated enclosure
100 x 80 x 85 mm

Cable entries
4 x M20

177N1 (IP66)
177N4 (IP66)

Complete switch	Poles	Product line	Rated data (IEC 60947)			Order code number
			Operational current I _e	Operational power at 380–440 V		
			AC-21A A	AC-23A kW	AC-3 kW	
Main Switches OFF position padlockable 12h	5 ... 8	M200	20	7,5	5,5	M220 - 61 ... - 177N1
Main/Emergency-Off Switches OFF position padlockable 12h	5 ... 8	M200	20	7,5	5,5	M220 - 61 ... - 177N4

SMD modules for basic switch

Mounting form module for 177N., 3 contact stages
Mounting form module for 177N., 4 contact stages

M220
M220

BFE2 - EA
BFF2 - EA

Enclosure module, mounting form 177N1
Enclosure module, mounting form 177N4

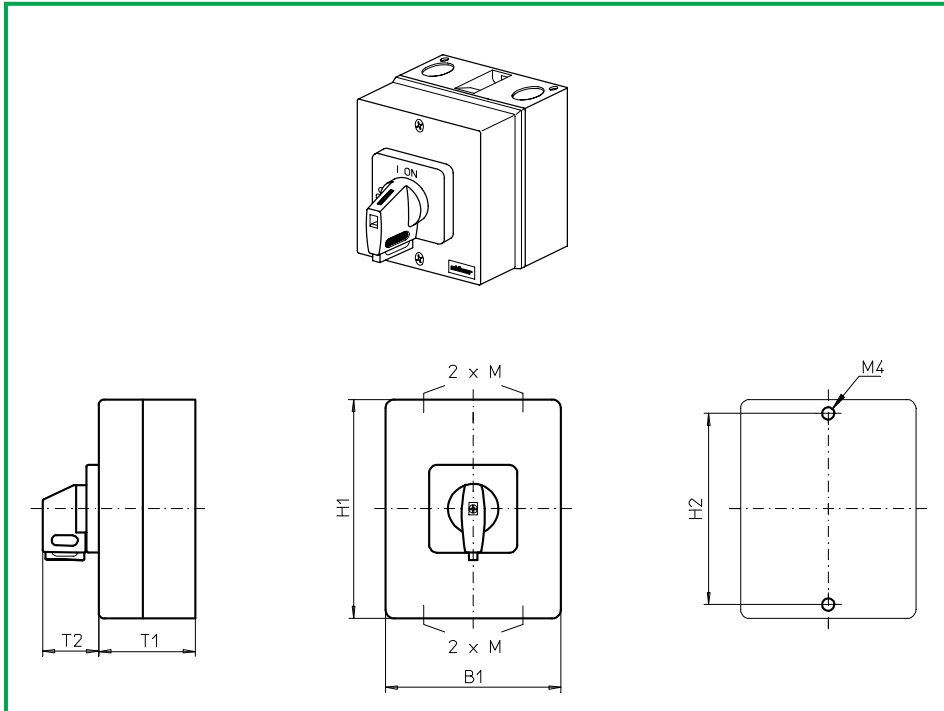
PAM2 - 177N1
PAM2 - 177N4

Dimensions (mm)

Product line	H1	B1	T1	T2	2xM	H2
M220	100	80	85	33	20	90

Enclosed Switches

sälzer



Product line
M200

Enclosed Switches

Insulated enclosure
100 x 80 x 65 mm

Cable entries
4 x M20

077V1 (IP66)
077V4 (IP66)

Complete switch	Poles	Product line	Rated data (IEC 60947)			Order code number
			Operational current I _e	Operational power at 380–440 V		
			AC-21A A	AC-23A kW	AC-3 kW	
Main Switches OFF position padlockable 09h	1 ... 4	M200	20	7,5	5,5	M220 - 61 ... - 077V1
Main/Emergency-Off Switches OFF position padlockable 09h	1 ... 4	M200	20	7,5	5,5	M220 - 61 ... - 077V4

SMD modules for basic switch

Mounting form module for 077V., 1 contact stage
Mounting form module for 077V., 2 contact stages

M220
M220

BFE2 - EA
BFF2 - EA

Enclosure module, mounting form 077V1
Enclosure module, mounting form 077V4

PAM2 - 077V1
PAM2 - 077V4

Legend plate silver, enclosure module 077V1
Legend plate yellow, enclosure module 077V4

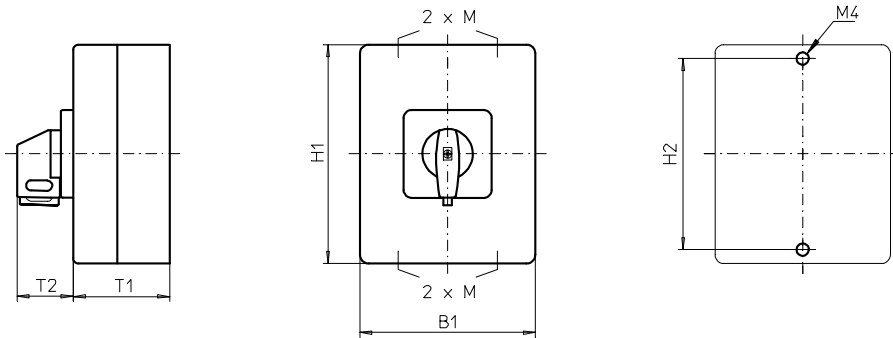
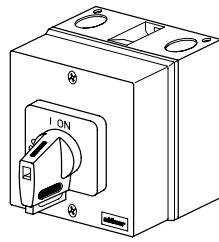
FAS2 - 9078
FBS2 - 9078

Dimensions (mm)

Product line	H1	B1	T1	T2	2xM	H2
M220	100	80	65	32	20	90

Enclosed Switches

sälzer



Product line
M200

Enclosed Switches

Insulated enclosure
100 x 80 x 85 mm

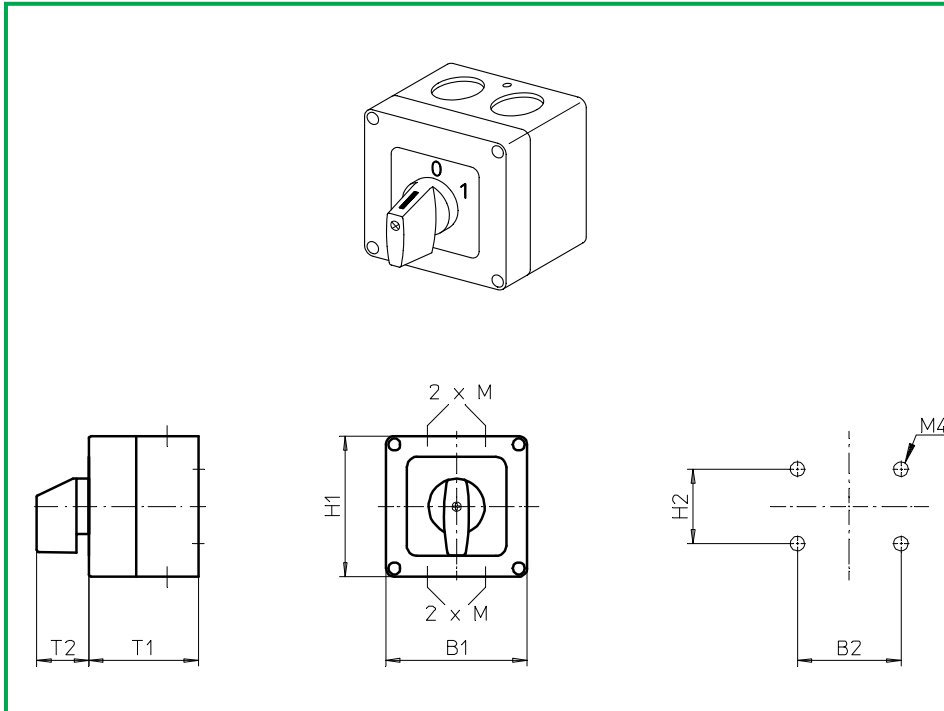
Cable entries
4 x M20

177V1 (IP66)
177V4 (IP66)

Complete switch	Poles	Product line	Rated data (IEC 60947)			Order code number
			Operational current I _e	Operational power at 380–440 V		
			AC-21A A	AC-23A kW	AC-3 kW	
Main Switches OFF position padlockable 09h	5 ... 8	M200	20	7,5	5,5	M220 - 61 ... - 177V1
Main/Emergency-Off Switches OFF position padlockable 09h	5 ... 8	M200	20	7,5	5,5	M220 - 61 ... - 177V4
SMD modules for basic switch						
Mounting form module for 177V., 3 contact stages			M220			BFE2 - EA
Mounting form module for 177V., 4 contact stages			M220			BFF2 - EA
Enclosure module, mounting form 177V1						PAM2 - 177V1
Enclosure module, mounting form 177V4						PAM2 - 177V4
Legend plate silver, enclosure module 177V1						FAS2 - 9078
Legend plate yellow, enclosure module 177V4						FBS2 - 9078
Dimensions (mm)						
Product line	H1	B1	T1	T2	2xM	H2
M220	100	80	85	32	20	90

Enclosed Switches

sälzer



Product line
M200

Enclosed Switches

Insulated enclosure
68 x 68 x 53 mm

Cable entries
4 x M16

107M1 (IP65)

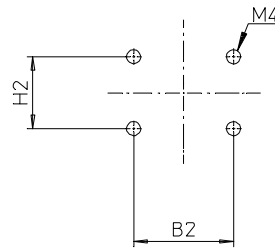
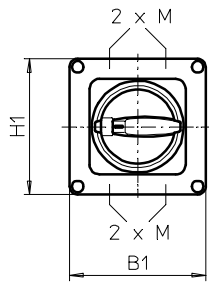
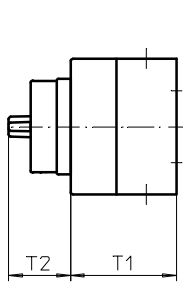
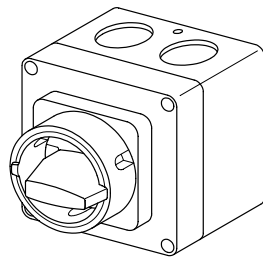
Complete switch	Poles	Product line	Rated data (IEC 60947)			Order code number
			Operational current I _e	Operational power at 380–440 V		
			AC-21A A	AC-23A kW	AC-3 kW	
Rotary Cam Switches Switching angle 30°/45°/60°/90°	1 ... 4	M200	20	7,5	5,5	M220 - 61 ... - 107M1

SMD modules for basic switch						
Enclosure module, mounting form 107M1				M220		PBM2 - 107M1
Legend plate silver, enclosure module 107M1						FAS2 - (FA number)

Dimensions (mm)							
Product line	H1	B1	T1	T2	2xM	H2	B2
M220	68	68	54	25	16	36	50

Enclosed Switches

sälzer



Product line
M200

Enclosed Switches

Insulated enclosure
68 x 68 x 53 mm

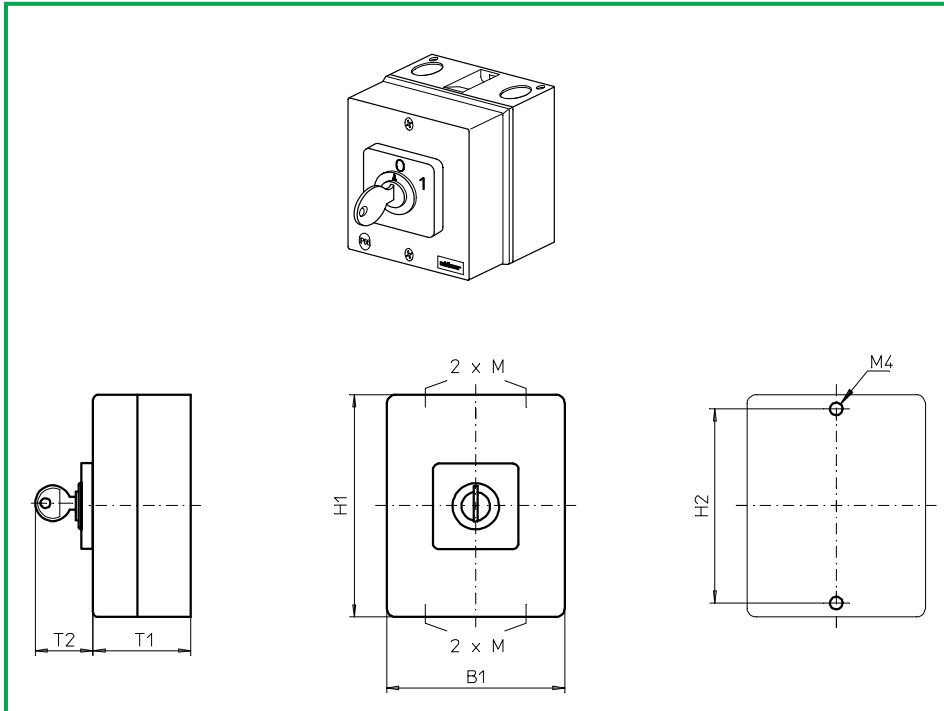
Cable entries
4 x M16

117M1 (IP65)
117M4 (IP65)

Complete switch	Poles	Product line	Rated data (IEC 60947)			Order code number	
			Operational current I _e AC-21A A	Operational power at 380–440 V AC-23A kW	AC-3 kW		
Main Switches OFF position padlockable 09h	1 ... 4	M200	20	7,5	5,5	M220 - 61 ... - 117M1	
Main/Emergency-Off Switches OFF position padlockable 09h	1 ... 4	M200	20	7,5	5,5	M220 - 61 ... - 117M4	
SMD modules for basic switch							
Enclosure module for mounting form 117M1			M220			PBM2 - 117M1	
Enclosure module for mounting form 117M4			M220			PBM2 - 117M4	
Dimensions (mm)							
Product line	H1	B1	T1	T2	2xM	H2	B2
M220	68	68	54	31	16	36	50

Enclosed Switches

sälzer



Product line
M200

Insulated Enclosure
Polycarbonate
100 x 80 x 65 mm (1 stage)

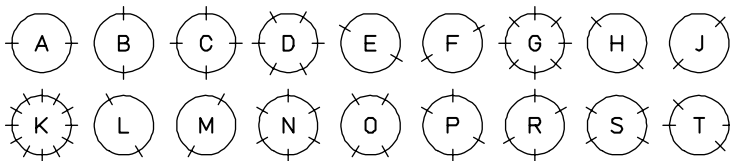
Cable entries
4 x M20

Key operated

K001. (IP40)

Complete switch	Poles	Product line	Rated data (IEC 60947)			Order code number
			Operational current I _e	Operational power at 380–440 V		
			AC-21A A	AC-23A kW	AC-3 kW	
Rotary Cam Switches Switching angle 30°/ 45°/ 60°/ 90°	1 ... 2	M200	20	7,5	5,5	M220 - 61 ... - K001.

The dot in the order code number of the complete mounting form/operator module must be replaced by the classification letter which identifies the key removable positions:



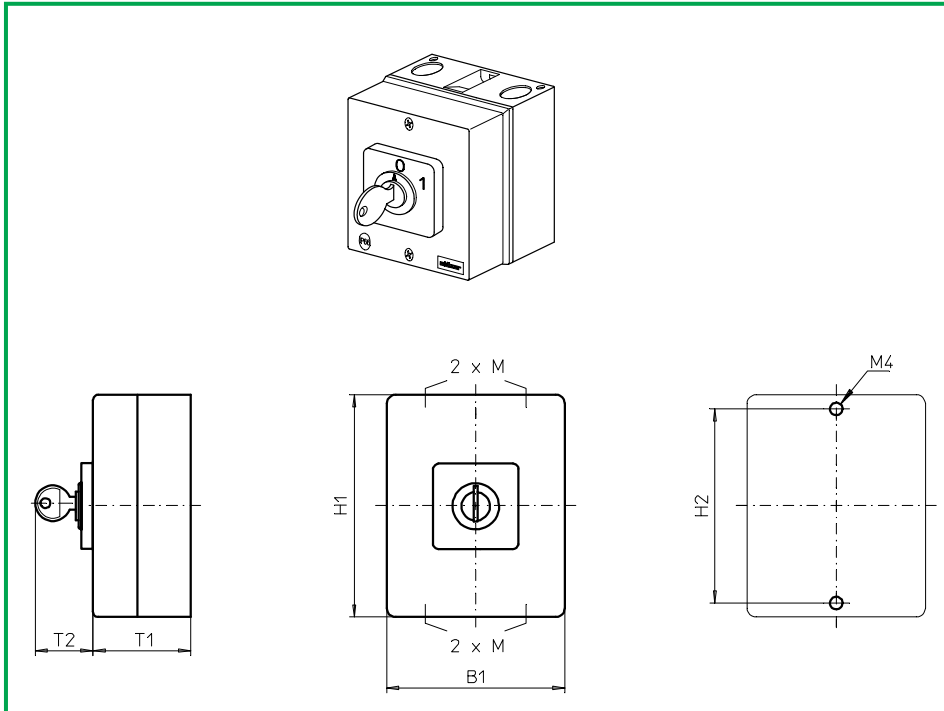
Lines indicate the key removable positions.

SMD modules for basic switch						
Enclosure module, mounting form K001. for 1 stage				M220		PAM2 - K
Operator module 48 x 48 mm, mounting form K001. Escutcheon black, Ronis lock C001, 2 keys						2AS1 - 001.
Legend plate silver, operator module K001.						FAS2 - (FA number)
Further lock types and security lock on request.						

Dimensions (mm)						
Product line	H1	B1	T1	T2	2xM	H2
M220	100	80	65	33	20	90

Enclosed Switches

sälzer



Product line
M200

Insulated Enclosure
Polycarbonate

100 x 80 x 85 mm (1-3 stages)

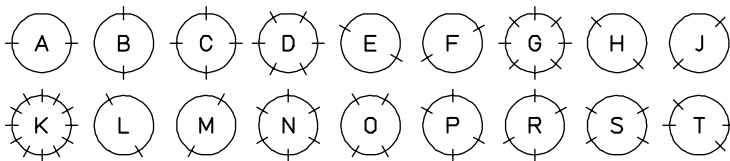
Cable entries
4 x M20

Key operated

E001. (IP40)

Complete switch	Poles	Product line	Rated data (IEC 60947)			Order code number
			Operational current I _e	Operational power at 380–440 V		
			AC-21A A	AC-23A kW	AC-3 kW	
Rotary Cam Switches Switching angle 30°/ 45°/ 60°/ 90°	1 ... 6	M200	20	7,5	5,5	M220 - 61 ... - E001.

The dot in the order code number of the complete mounting form/operator module must be replaced by the classification letter which identifies the key removable positions:



Lines indicate the key removable positions.

SMD modules for basic switch

Enclosure module, mounting form E001. for 1-3 stages

M220

PAM2 - E

Operator module 48 x 48 mm, mounting form E001.

2AS1 - 001.

Escutcheon black, Ronis lock C001, 2 keys

Legend plate silver, operator module E001.

FAS2 - (FA number)

Further lock types and security lock on request.

Dimensions (mm)

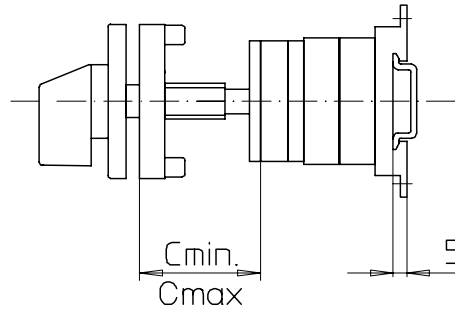
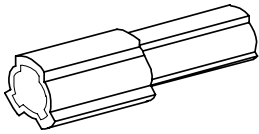
Product line	H1	B1	T1	T2	2xM	H2
M220	100	80	85	33	20	90



Section D

	Page	
	from	to
Shaft extensions	D1-1	D1-2
Additional top escutcheon plates	D2-1	D2-2
Assembly tool	D3-1	D3-1

Originator: Sälzer Electric GmbH · Product Data Management (PDM) · 09306 Rochlitz (Germany)
 Copyright reserved by Sälzer Electric GmbH. This document replaces all previous issues.
 Valid until a new version is published. Changes and revisions reserved.



Product lines
M200 / T200

Base mounting switch

Door clutch
Modular shaft extension

Four hole mounting
Front

AVD2

Modular shaft extensions for use with door clutch

Dimensions C_{min} , C_{max}

No.	C_{min}	C_{max}	Quantity	Order code number
0	42 mm	59 mm	-	-
1	60 mm	84 mm	1	AVD2
2	85 mm	109 mm	2	AVD2
3	110 mm	134 mm	3	AVD2
4	135 mm	159 mm	4	AVD2
5	160 mm	184 mm	5	AVD2
6	185 mm	209 mm	6	AVD2

Product lines M200 / T200

AVD2 is suitable to extend the shaft:

48 x 48 mm
Base mounting

031M1/ 031M4

032M1/ 032M4
032N1/ 032N4
032V1/ 032V4

037M1/ 037M4
037N1/ 037N4
037V1/ 037V4

041M1

046V1/ 047V1

047M1

Base mounting
Snap on mounting

231M1/ 231M4

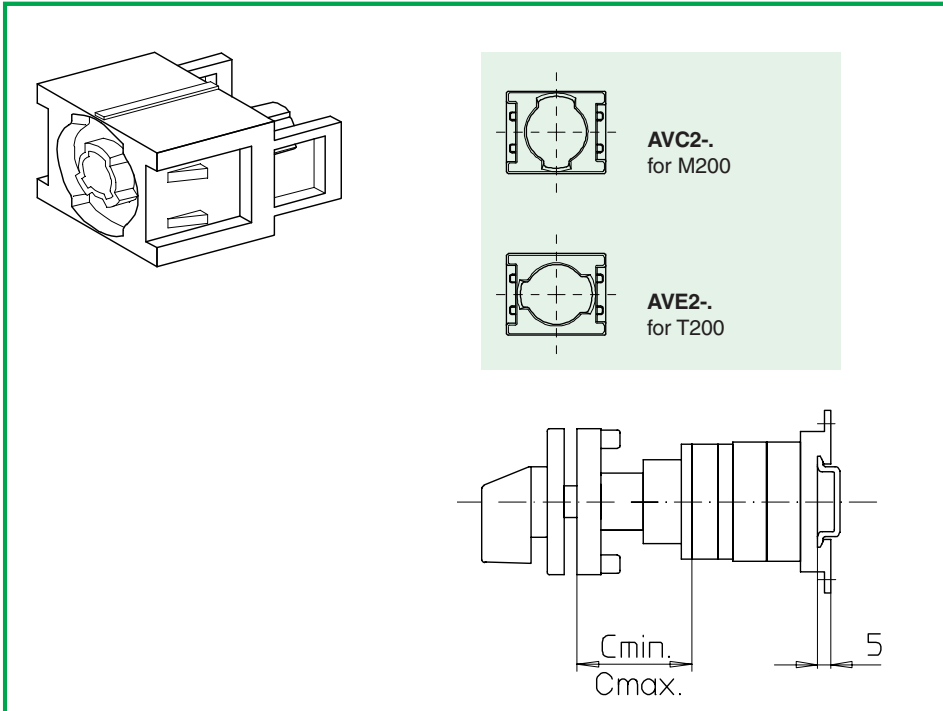
232M1/ 232M4
232N1/ 232N4
232V1/ 232V4

237M1/ 237M4
237N1/ 237N4
237V1/ 237V4

241M1

246V1/ 247V1

247M1



Product lines
M200 / T200

Base mounting switch

Door interlock
Modular shaft extension

Four hole mounting
Front

AVC2 - .
AVE2 - .

Modular shaft extensions for use with door interlock M200/T200

Dimensions C_{min} , C_{max}

No.	C_{min}	C_{max}	Quantity	Order code number for M200	Order code number for T200
0	42 mm	57 mm	-	-	-
1	64 mm	82 mm	1	AVC2 - 1	AVE2 - 1
2	89 mm	107 mm	1	AVC2 - 2	AVE2 - 2
3	114 mm	132 mm	1	AVC2 - 3	AVE2 - 3
4	139 mm	157 mm	1	AVC2 - 4	AVE2 - 4
5	164 mm	182 mm	1	AVC2 - 5	AVE2 - 5
6	189 mm	207 mm	1	AVC2 - 6	AVE2 - 6

Product lines M200 / T200

AVC2 - . / AVE2 - . is suitable to extend the shaft:

48 x 48 mm Base mounting

034M1/ 034M4
034N1/ 034N4
034V1/ 034V4

038M1/ 038M4
038N1/ 038N4
038V1/ 038V4

042M1
042V1/ 043V1

048M1
048V1/ 049V1

135M1/ 135M4

Base mounting Snap on mounting

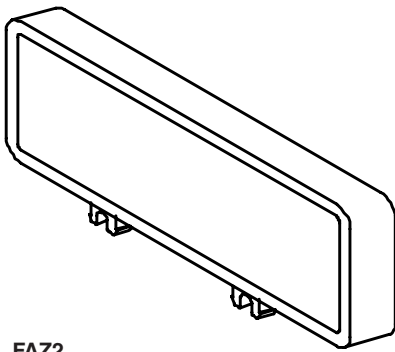
234M1/ 234M4
234N1/ 234N4
234V1/ 234V4

238M1/ 238M4
238N1/ 238N4
238V1/ 237V4

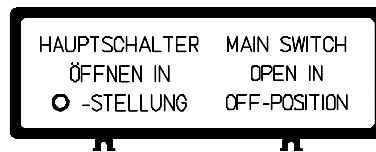
242M1
242V1/ 243V1

248M1
248V1/ 249V1

235M1/ 235M4



FAZ2
Escutcheon frame plate black
(without legend plate)



FAZ2 - 8041

Product lines
M200 / T200

Additional top
escutcheon plates

to put on escutcheons
and padlock devices
(also in connection with
enclosures)

FAZ2 -

Additional top escutcheon plates

with additional inscription to be clipped on the escutcheon and padlock devices

Escutcheon frame plate black, legend plate silver, without inscription (can be engraved)

Escutcheon frame plate black, legend plate silver, inscription FA 8...*

Escutcheon frame plate black, legend plate silver, special engraving

Escutcheon frame plate black, legend plate yellow, without inscription (can be engraved)

Escutcheon frame plate black, legend plate yellow, inscription FA 8...*

Escutcheon frame plate black, legend plate yellow, special engraving

Escutcheon frame plate black (without legend plate)

FAZ2 - 8000

FAZ2 - 8 . . .

FAZ2 - (special no.)

FBZ2 - 8000

FBZ2 - 8 . . .

FBZ2 - (special no.)

FAZ2

Legend plates

Legend plate silver without inscription (can be engraved)

Legend plate silver, inscription FA 8...*

Legend plate silver, special engraving

Legend plate yellow without inscription (can be engraved)

Legend plate yellow, inscription FA 8...*

Legend plate yellow, special engraving

FAS2 - 8000

FAS2 - 8 . . .

FAS2 - (special no.)

FBS2 - 8000

FBS2 - 8 . . .

FBS2 - (special no.)

* inscription FA 8... see next page

HAUPTSCHALTER MAIN SWITCH
 ÖFFNEN IN OPEN IN
 O-STELLUNG OFF-POSITION

Example: Legend plate silver **FAS2 - 8041**
 for top escutcheon plate FAZ2-8041

Product lines
M200 / T200

Legend plates
 for additional top
 escutcheon plates

FAS2 - 8 ...
FBS2 - 8 ...

Legend plates for additional top escutcheon plates

Legend plate silver, without inscription (can be engraved)
 Legend plate silver, inscription FA 8...
 Legend plate silver, special engraving

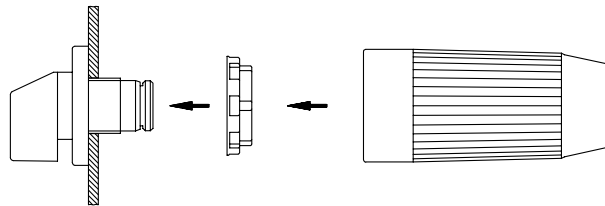
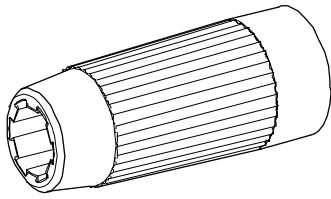
Legend plate yellow without inscription (can be engraved)
 Legend plate yellow, inscription FA 8...
 Legend plate yellow, special engraving

FAS2 - 8000
FAS2 - 8 ...
FAS2 - (special no.)

FBS2 - 8000
FBS2 - 8 ...
FBS2 - (special no.)

Legend plates, inscription FA 8...

FA 8000	FA 8001	FA 8002	FA 8003	FA 8004	FA 8005
FA 8006	FA 8007	FA 8008	FA 8009	FA 8010	FA 8011
FA 8012	FA 8013	FA 8014	FA 8015	FA 8016	FA 8017
FA 8018	FA 8019	FA 8021	FA 8023	FA 8024	FA 8025
FA 8026	FA 8027	FA 8028	FA 8029	FA 8030	FA 8031
FA 8032	FA 8033	FA 8034	FA 8035	FA 8036	FA 8037
FA 8038	FA 8039	FA 8040	FA 8041	FA 8042	FA 8044



Product lines
M200 / T200

Assembly tool

for switches with
Single hole mounting
ø 22,5 mm and ø 30,5 mm

218098

Assembly tool

Suitable for a **fast assembly of the single hole mounting** together with escutcheon / padlock device resp. door clutch / door interlock on mounting forms:

203V1
204M1, 204V4
205M1, 205M4
206M1, 206M4

206N1, 206N4
206V1, 206V4
208M1
209M1

213V1
214M1, 214V1
215V1, 215V4
215M1, 215M4

216M1, 216M4
216N1, 216N4
216V1, 216V4
218M1

219M1
226V1, 226V4



Faster deliveries through SMD

In order to ensure even greater flexibility for worldwide supply availability within 24h, Sälzer Electric has introduced the SMD (Sälzer Modular Design) system.

SMD modules are individually prefabricated and tested all-in-one modules which SMD Service holds in stock in sufficient quantities. From basic switch modules, mounting form modules and operator modules, SMD Service can assemble a complete switch requested by the customer and pack it ready for delivery in just a few actions.

– **back** –